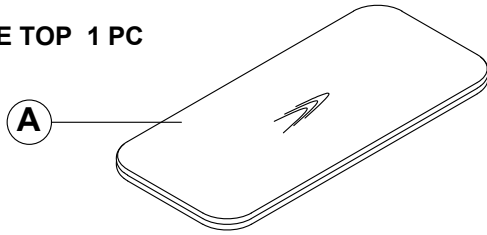


MATARANKA RECTANGULAR DINING TABLE ASSEMBLY INSTRUCTIONS

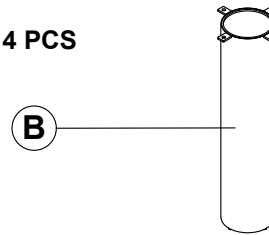


PARTS / PACKAGING CONFIGURATIONS

BOX #1
A. TABLE TOP 1 PC



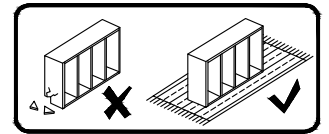
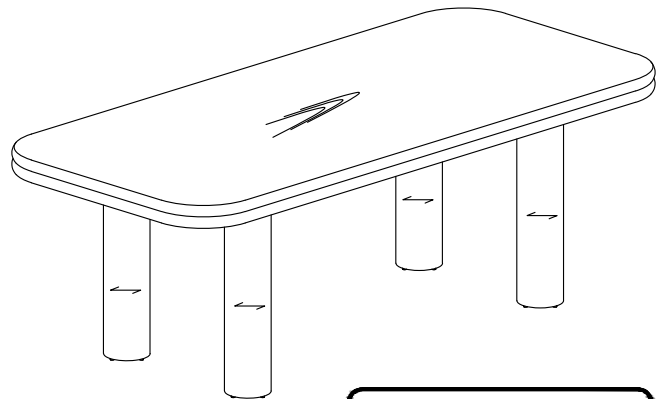
BOX #2
B. LEG 4 PCS



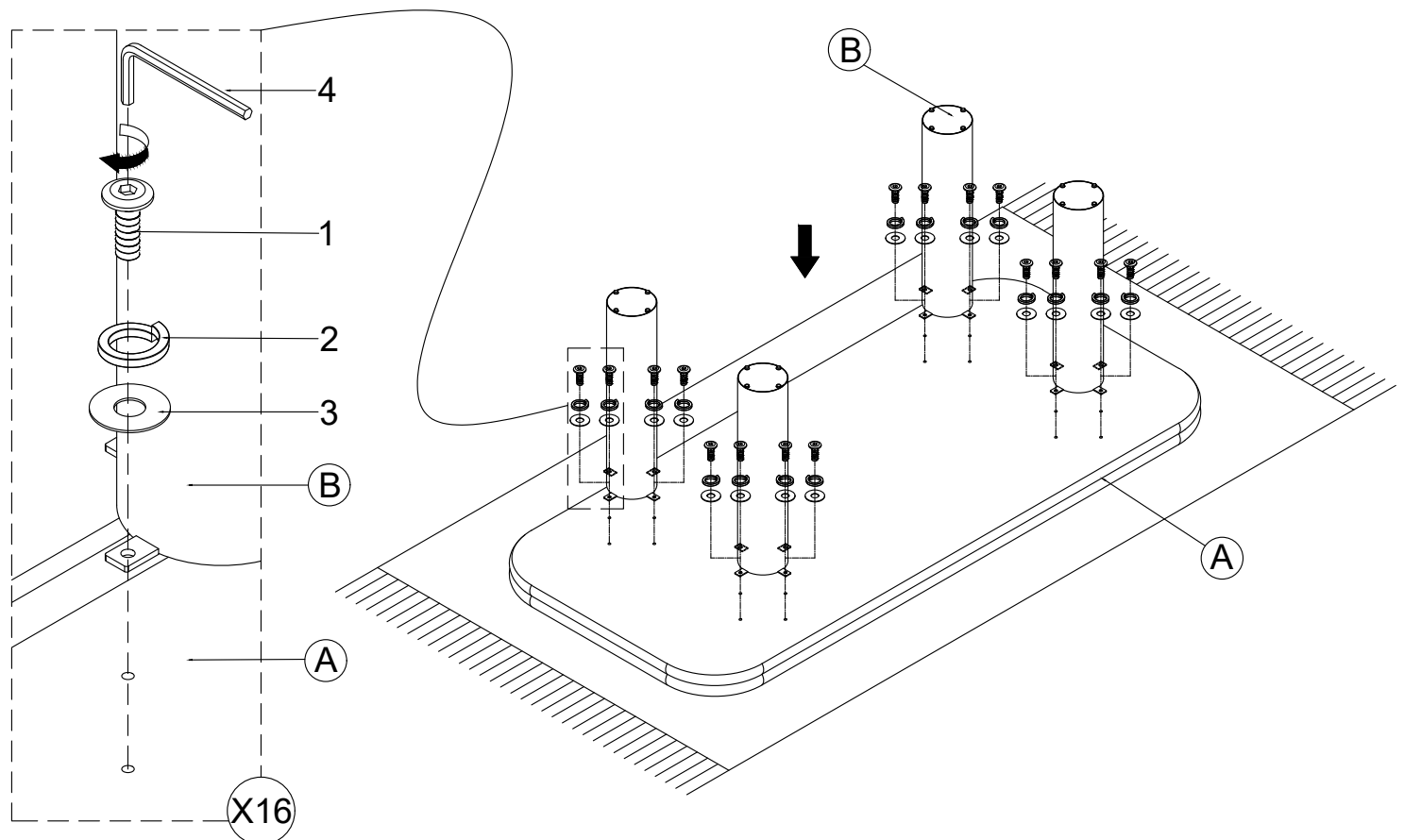
HARDWARE KIT PACKED IN BOX #2

NO.	DESCRIPTION	IMAGE	QUANTITY
1	ALLEN BOLT (6x25mm)		16 PCS
2	SPRING WASHER (M6)		16 PCS
3	FLAT WASHER (M6)		16 PCS
4	ALLEN KEY		1 PC

FULLY ASSEMBLED



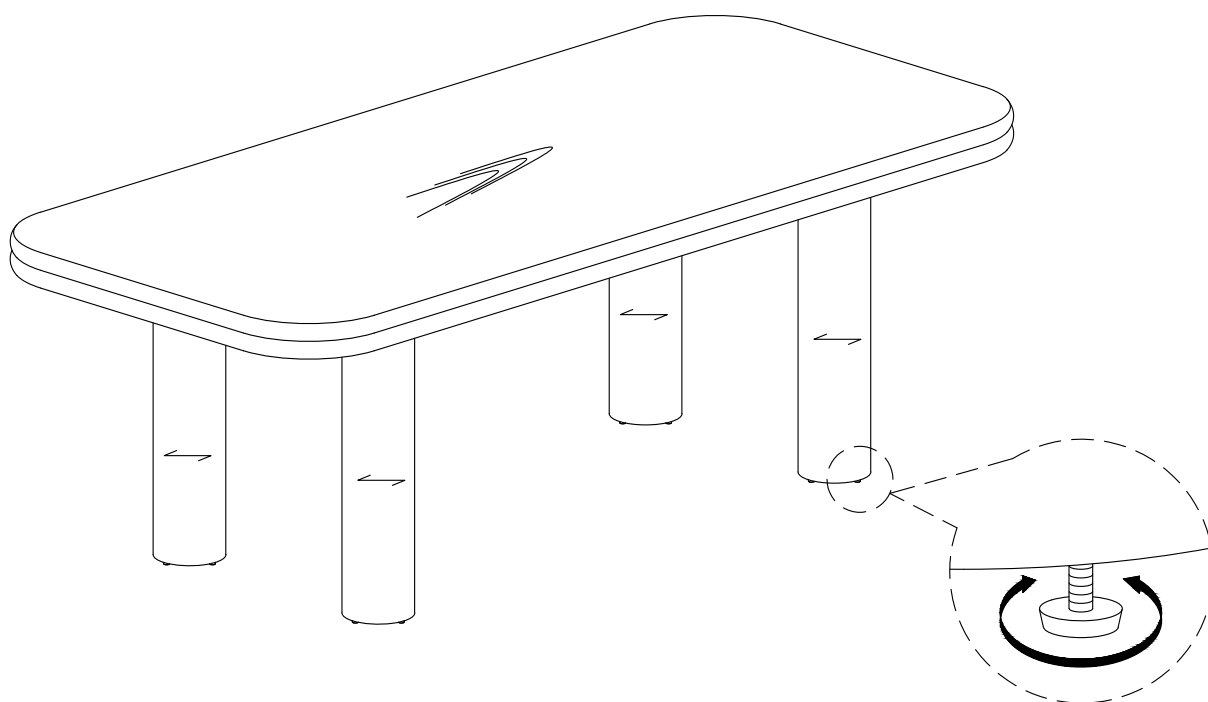
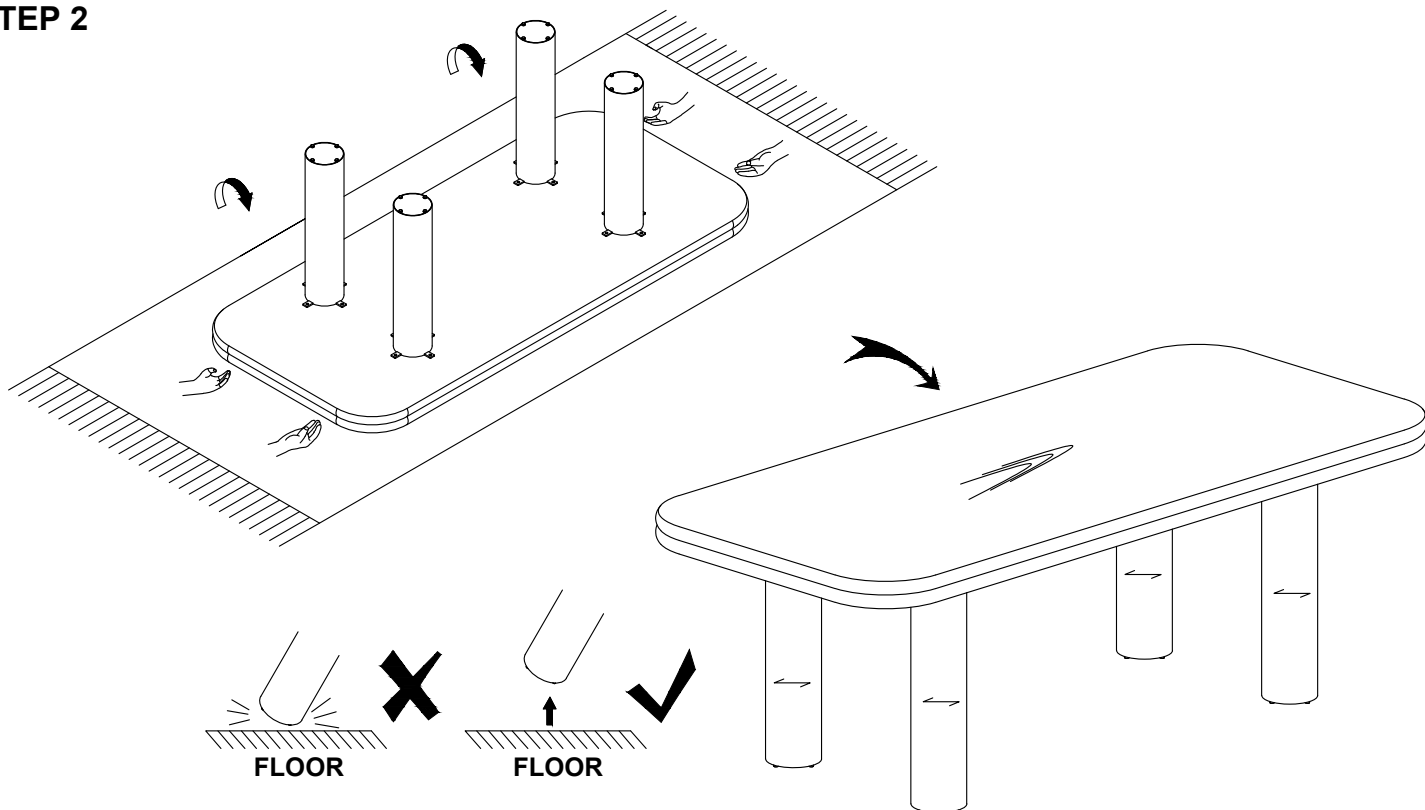
STEP 1



MATARANKA RECTANGULAR DINING TABLE ASSEMBLY INSTRUCTIONS



STEP 2



ASSEMBLY COMPLETE