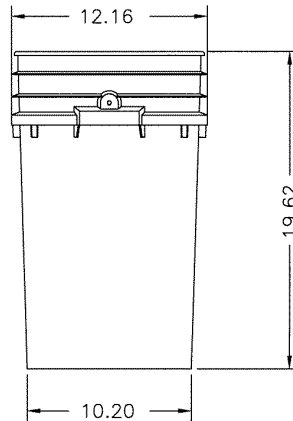


7 Gallon Round Container

Features

- Large integrated handles provide comfort in handling
- Reinforcing ribs maintain container shape
- Tapered design allows for container nesting
- Accepts metal handle



PRODUCT CODE..... 7R TA7G95IH (W) (BU)

COMPATIBLE LIDS.....5LTB LA5GGTS (GTSU)
 5LHV LA5GSOFT
 5LHV LA5GHARD
 5NLR LA5GGCT (GCTU)
 5LTEO LA5GEOGTS (GTSU)

SPECIFICATIONS

Height.....19.62"
 Outer Diameter.....12.16"
 Thickness.....100 mil
 Print Area.....32" x 14.25"
 Resin.....HDPE

VOLUME

Practical Fill.....7.00 gal. / 26.50 liters
 Overflow.....7.39 gal. / 27.97 liters

DISTRIBUTED BY:



REF NO.:

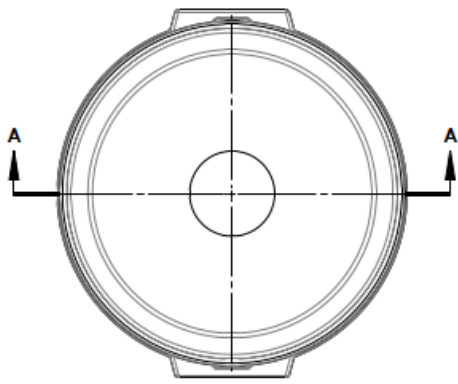
DWG30497

DESCRIPTION:

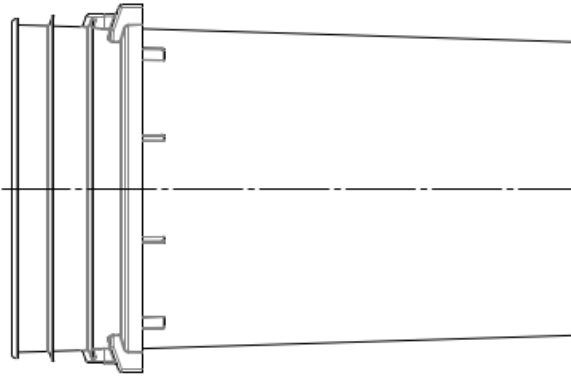
7 Gallon HDPE Open Head Pail

DISCLAIMER

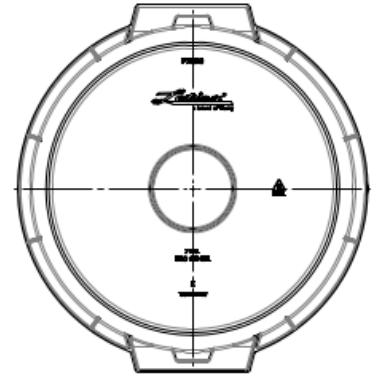
THIS INFORMATION IS PROVIDED AS A GENERAL GUIDE, INCLUDING DIMENSIONS. IT IS THE CUSTOMER'S RESPONSIBILITIES TO SELECT THE PROPER CONTAINER FOR PRODUCT AND APPLICATION COMPATIBILITY.



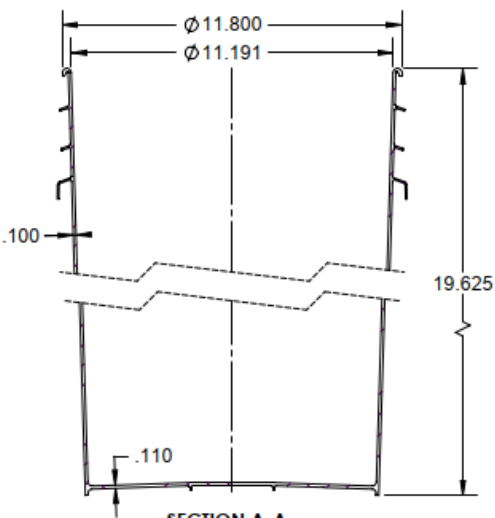
TOP VIEW



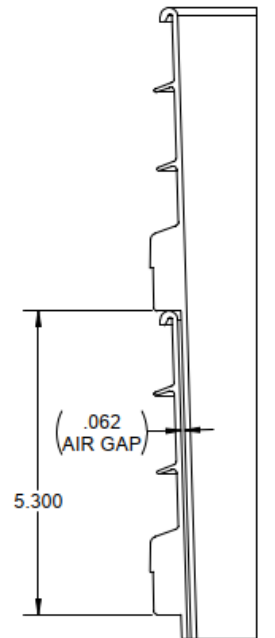
SIDE VIEW



BOTTOM VIEW



SECTION A-A
SCALE 1 : 4



CONTAINER NEST
SCALE 1:2

WEIGHT (cad model) 1270.9
±10 (GRAMS)

DISCLAIMER

THIS INFORMATION IS PROVIDED AS A GENERAL GUIDE, INCLUDING DIMENSIONS. IT IS THE CUSTOMER'S RESPONSIBILITIES TO SELECT THE PROPER CONTAINER FOR PRODUCT AND APPLICATION COMPATIBILITY.

DISTRIBUTED BY:



REF NO.:

DWG30497

DESCRIPTION:

7 Gallon HDPE Open Head Pail