
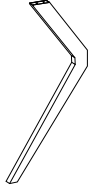
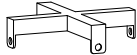
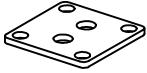
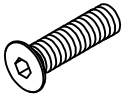
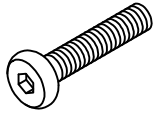



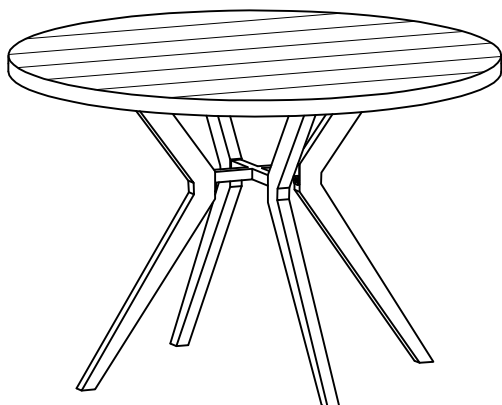


# ASSEMBLY INSTRUCTION

## 45" ROUND DINING TABLE

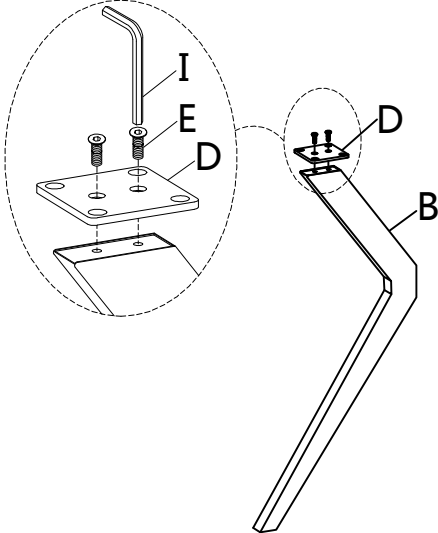
<b>A</b> Top Panel  1 PC	<b>B</b> Leg  4 PCS	<b>C</b> Connecting Rail  1 PC
<b>D</b> Connecting Iron Plate 3-1/8" x 3-1/8" x 1/5"  4 PCS	<b>E</b> Bolt 1/4" x 3/4"  8 PCS	<b>F</b> Long Bolt 1/4" x 1-1/8"  20 PCS
<b>G</b> Spring Washer 1/4"  20 PCS	<b>H</b> Flat Washer 1/4"  20 PCS	<b>I</b> Allen Key M4  1 PC



This page lists all the contents included in the box. Please take the time to identify the hardware as well as the individual components to this product. As you unpack and prepare for assembly, place the contents on a carpeted or padded area to protect them from damage.

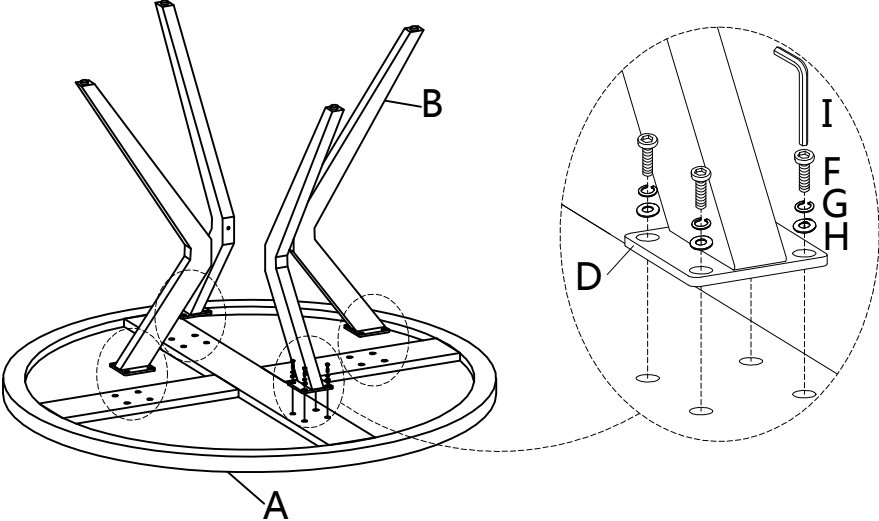
**1** Attach Connecting Iron Plate (D) to Leg (B) using Bolt (E) with Allen Key (I).

**Note: Fully tighten the bolts at this step.**



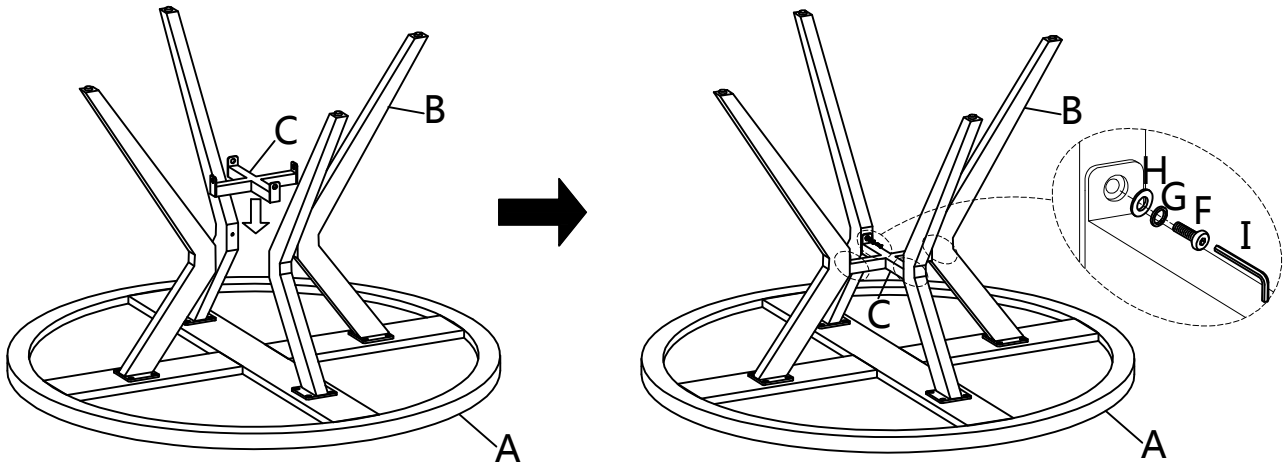
**2** Attach Connecting Iron Plate (D) to the bottom of Top Panel (A) using Long Bolt (F), Spring Washer (G) and Flat Washer (H) with Allen Key (I).

**Note: Do not fully tighten the bolts at this step.**



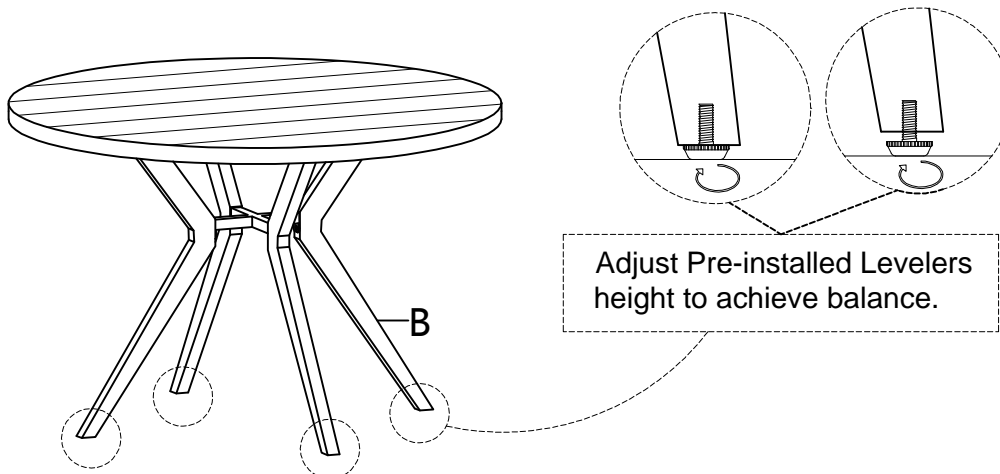
- 3** Attach Connecting Rail (C) to the middle of Leg (B) using Long Bolt (F), Spring Washer (G) and Flat Washer (H) with Allen Key (I).

**Note: Do not fully tighten the bolts at this step.**



- 4** With assistance from your adult partners, turn the Dining Table right way up. Adjust the pre-installed levelers on the bottom of Leg (B) until the Dining Table is level with the ground.

**Note: Fully tighten all bolts at this step.**



#### Cleaning & Care

Treat surfaces with care. Surfaces are resistant to scratches but are not scratch resistant. Clean surfaces with a dry or damp soft cloth. Do not use abrasive cleaners. Hardware may loosen over time. Periodically check that all connections are tight.