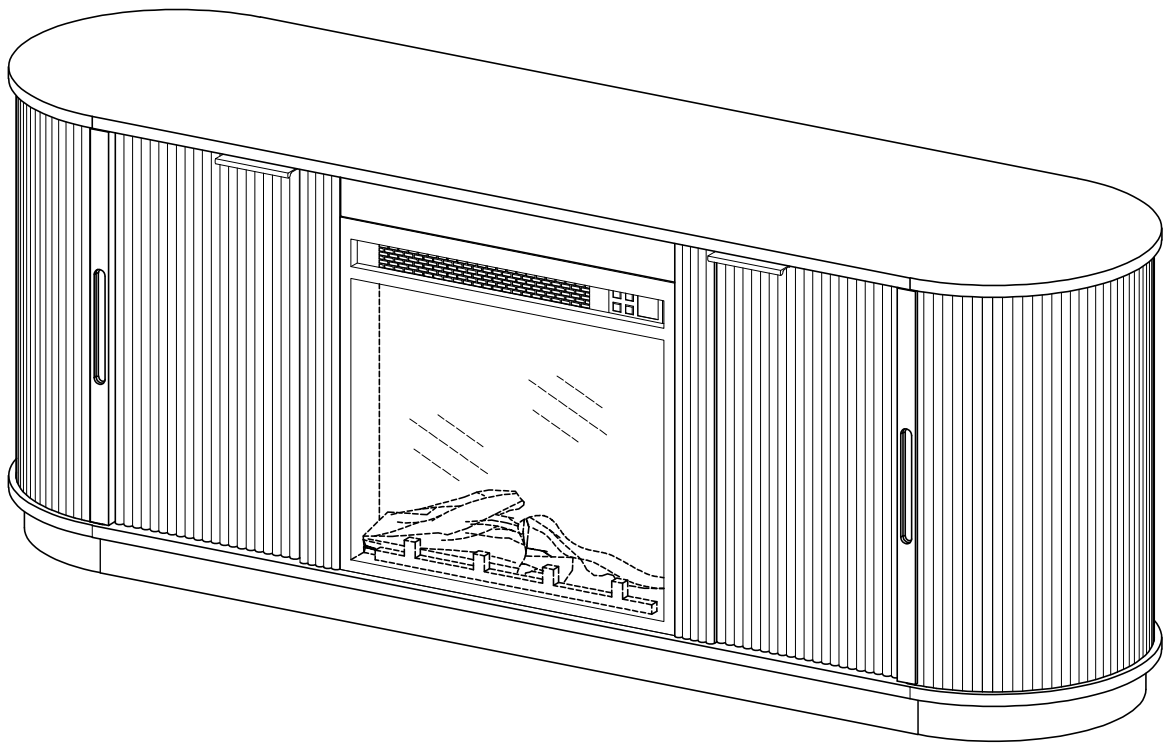


WALKER EDISON
TM

Chloe 60" Fireplace TV Stand Chloe 70" Fireplace TV Stand

SKU# WECHL22604

SKU# WECHL22704



For Residential Use Only

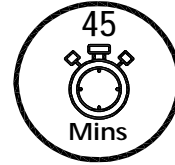
Please visit our website for the most current instructions, assembly tips, report damage, or request parts. www.walker-edison.com



Time to get started

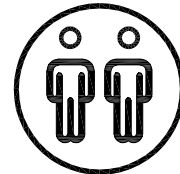
Set up a clean and soft workplace to get started and avoid damage during the assembly. It also helps to double-check you've got all the pieces and parts before diving in to assembly.

Estimated time for assembly



People recommended for assembly

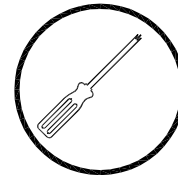
Make it a team effort! Grab a friend for quicker, easier assembly.



2 People Build

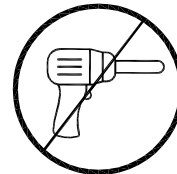
Tools Needed

Grab a Phillips head screwdriver to conquer this assembly



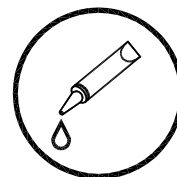
Use power tools with caution

You can cause cracking or damage to the material and easily strip the hardware. If you choose to use a power tool, your product will no longer be covered under Walker Edison's warranty.



Glue is provided to secure wood dowels in place

When inserting dowels, locate the appropriate hole, place a small amount of glue in the hole, and then insert the dowel. Wipe away excess glue immediately.

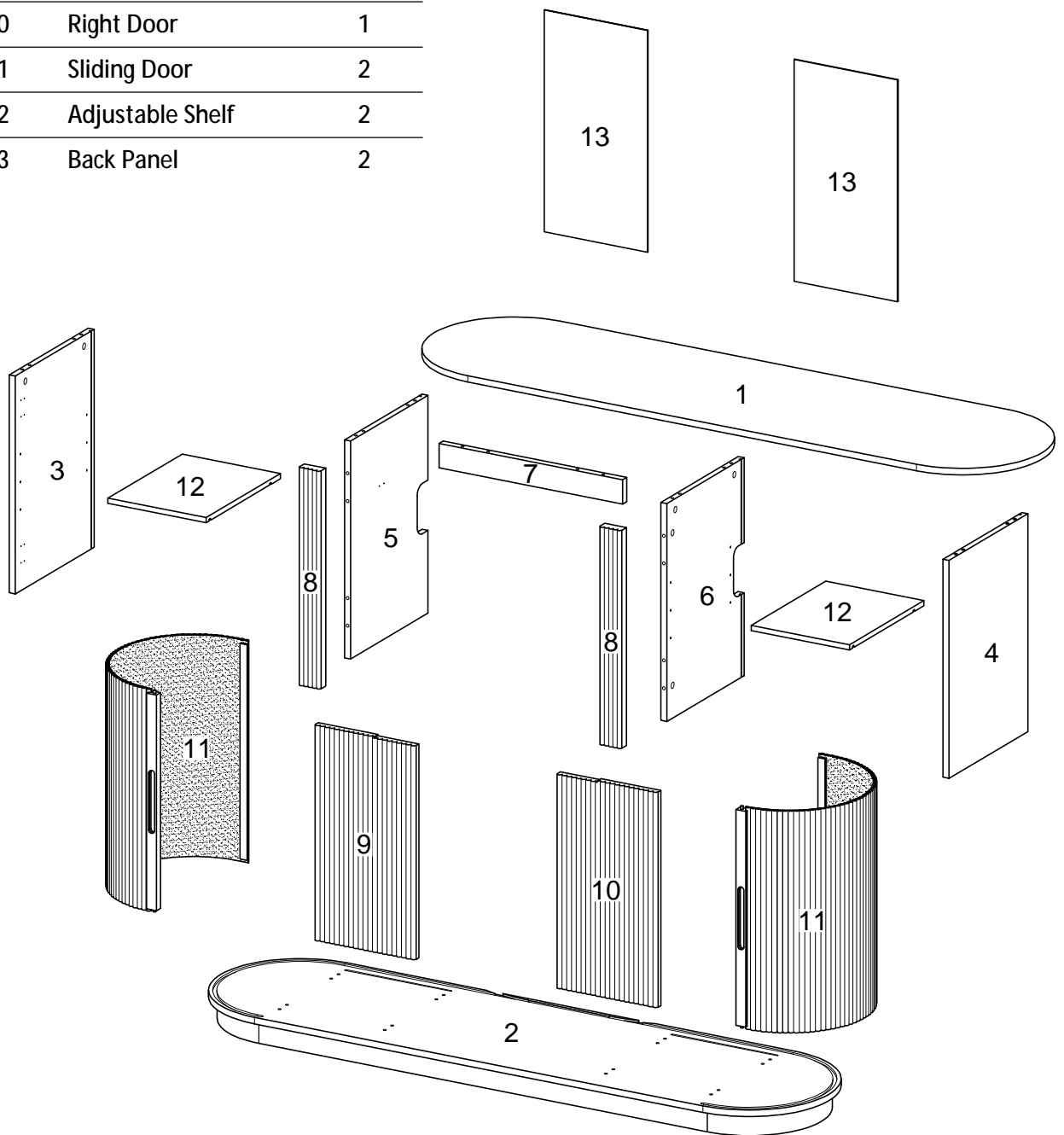


Chloe





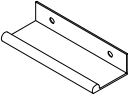
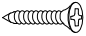
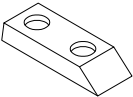
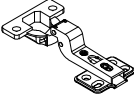
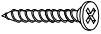
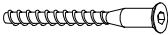

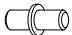

Scan to get assembly tips and help!

WE Parts List

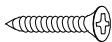
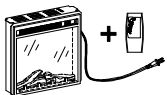
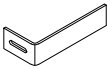
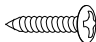

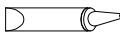
Part Number	Description	Quantity
1	Top Panel	1
2	Bottom Frame	1
3	Left Panel	1
4	Right Panel	1
5	Left Divider Panel	1
6	Right Divider Panel	1
7	Top Rail	1
8	Side Rail	2
9	Left Door	1
10	Right Door	1
11	Sliding Door	2
12	Adjustable Shelf	2
13	Back Panel	2



WE Hardware List

Part	Size	Name	Quantity
A	 8x30mm	Wooden dowel	22
B	 6x35mm	Cam bolt	14
C	 15x11mm	Cam lock	14
D	 30mm	Sticker	14
E		Handle	2
F	 3x14mm	Screw	8
G		Door stopper	2
H	 26mm	European hinge	4
J	 3.5x15mm	Screw	24
K	 6x50mm	Bolt	8
L	 M4	Hex key	1
M	 8x5x16mm	Shelf support pin	8
N		Plastic wedge	8

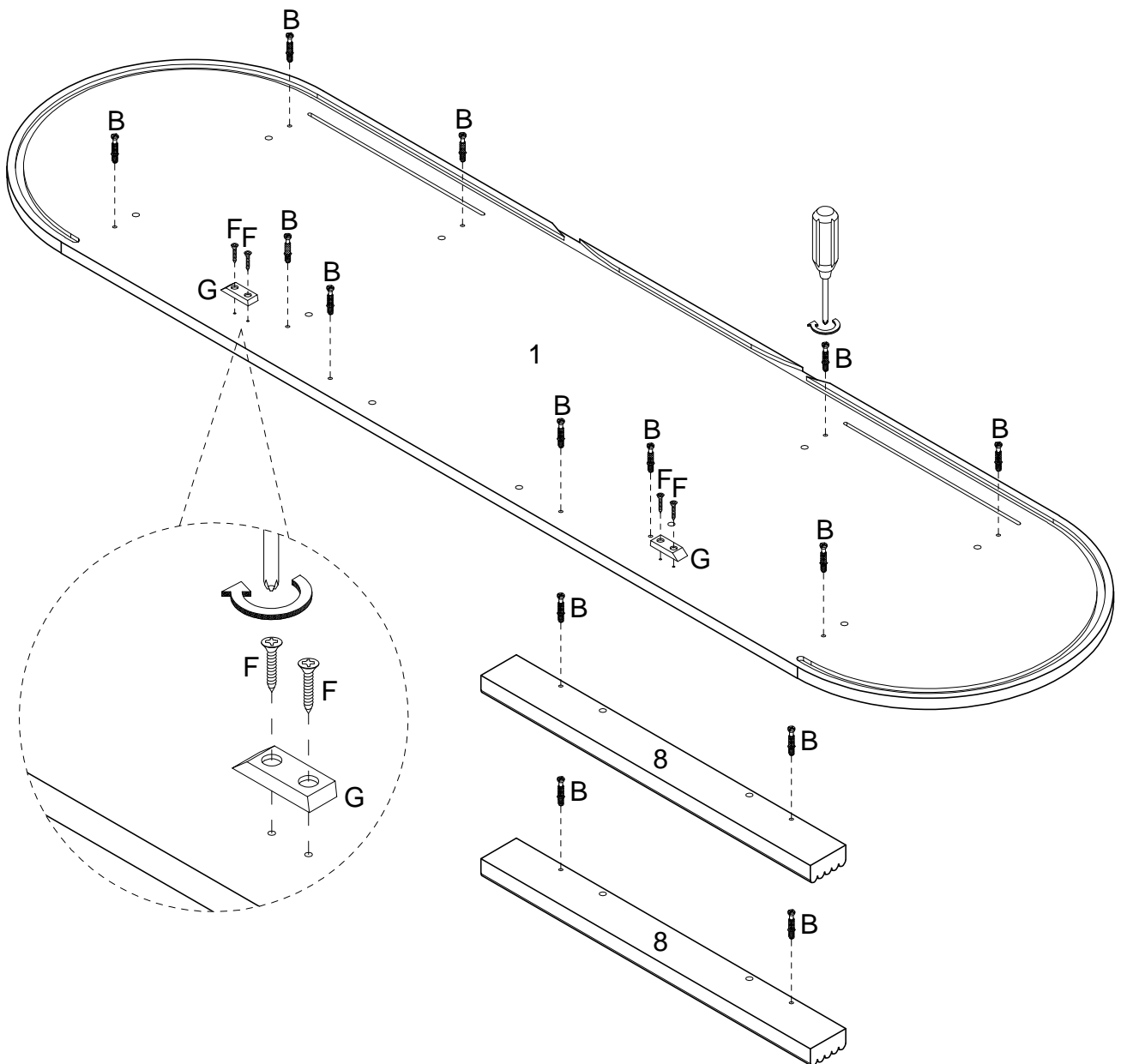
WE Hardware List

Part	Size	Name	Quantity
P	 3x17mm	Screw	8
Q	 RV18V80L-MT2	Fireplace Insert with Remote Control (without Batteries)	1
R		L-Shaped bracket	2
S	 3x12mm	Screw	4
T		Wax	1
U		Glue tube	1

The hardware quantities listed above are required for proper assembly.
Extra hardware pieces may be included.

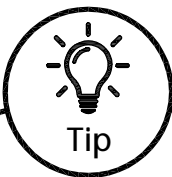
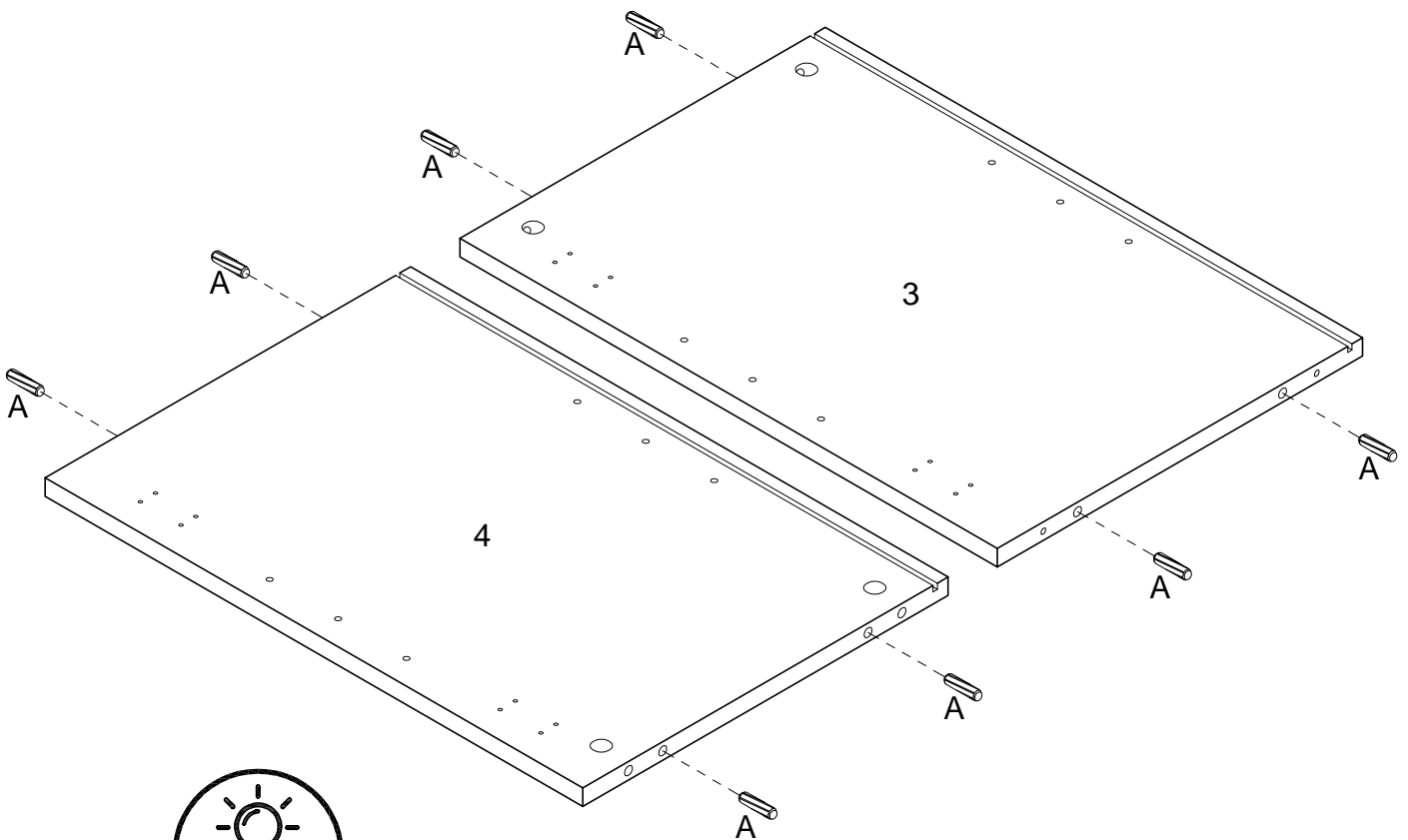
Step 1

Let's get started! Using a screwdriver, attach both Door Stoppers (G) to the Top Panel (1). Then, screw the Cam Bolts (B) into the Top Panel (1) and the two Side Rails (8).

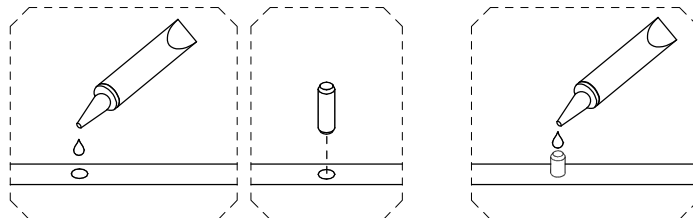


Step 2

Insert Dowels (A) into the Left Panel (3) and Right Panel (4)



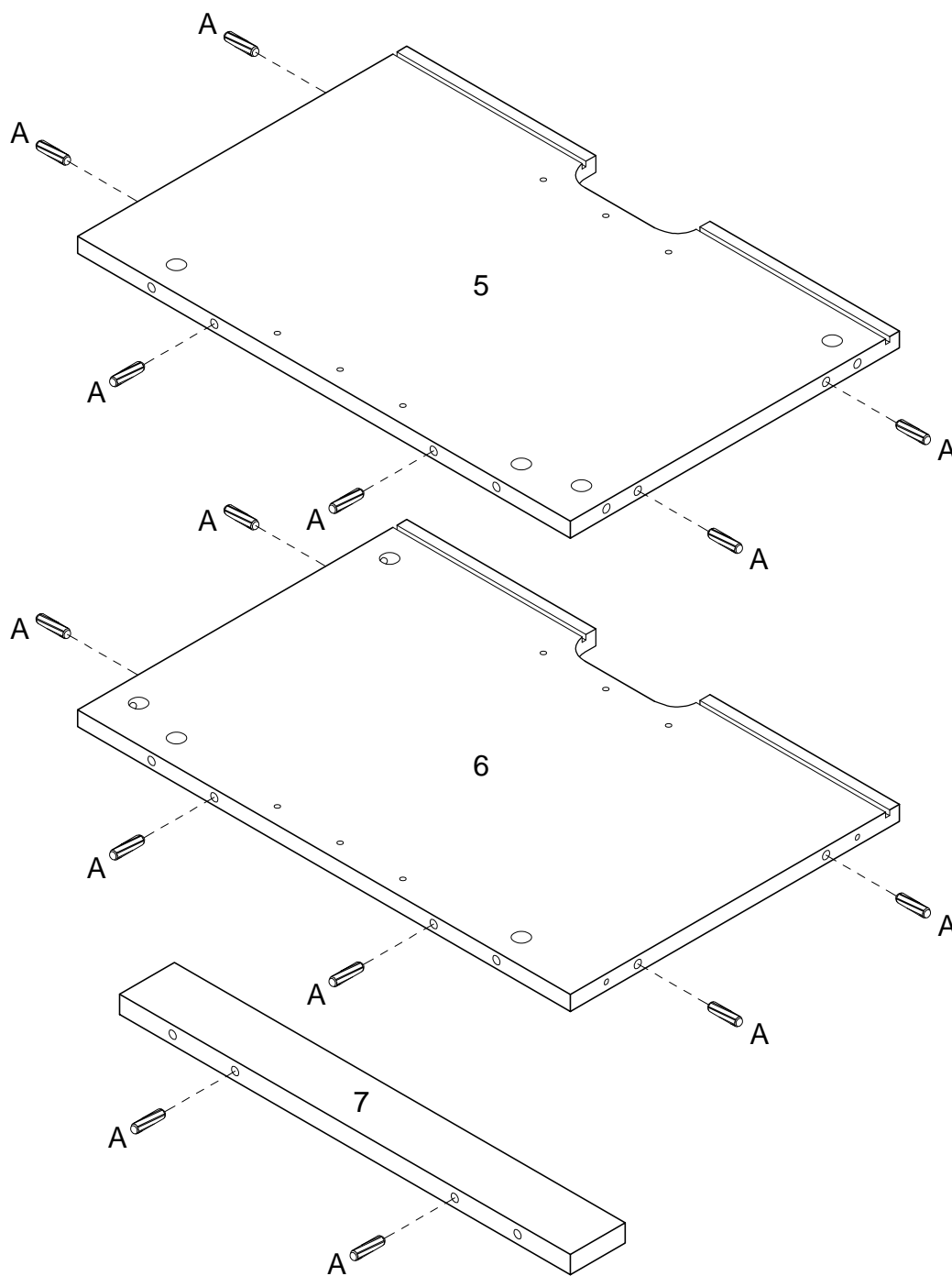
Tip



- 1: The provided glue is to secure wood dowels in place. When first inserting dowels, locate the appropriate hole for the dowel, place a small amount of glue in the hole and insert the dowel. Wipe away excess glue immediately.
- 2: In future assembly steps when dowels are necessary to attach assembly parts together, place a small amount of glue on the end of the dowel before attaching parts together. Wipe away excess glue immediately.

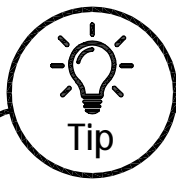
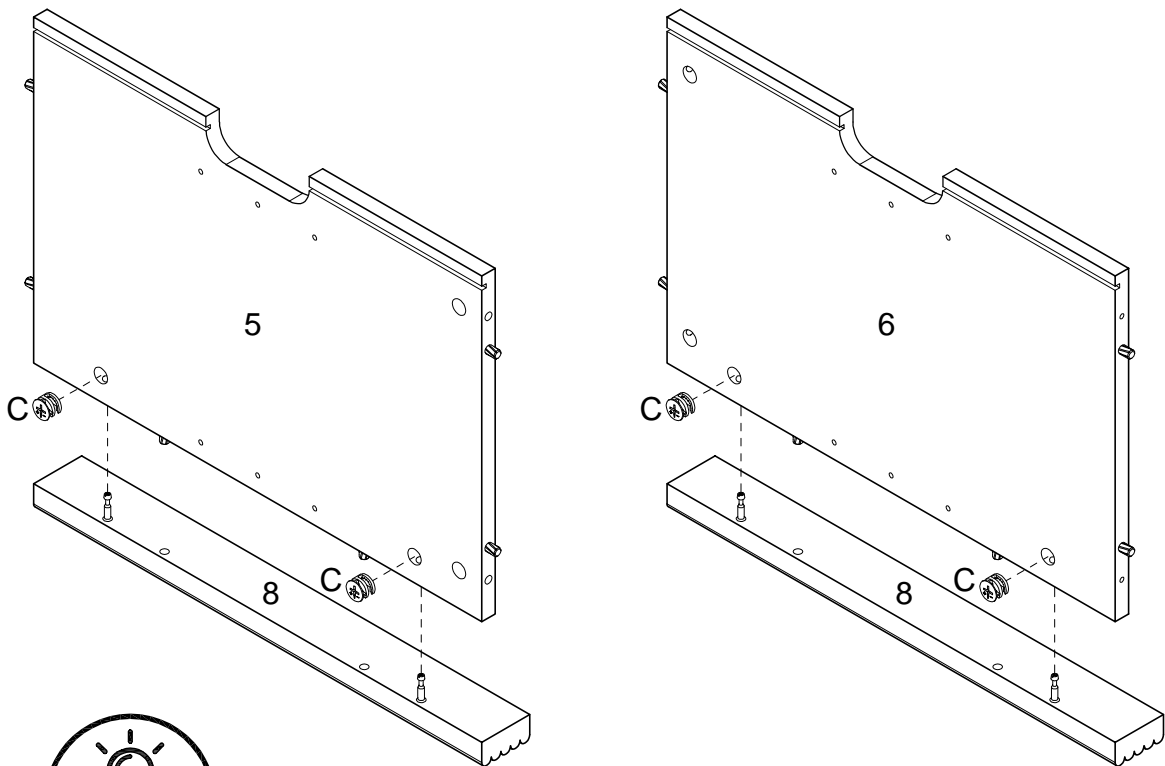
Step 3

Now, insert Dowels (A) into the Left Divider Panel (5), Right Divider Panel (6), & the Top Rail (7).



Step 4

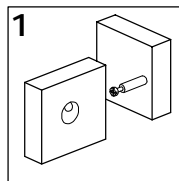
Attach one of the Side Rails (8) to the Left Divider Panel (5). Then attach the other Side Rail (8) to the Right Divider Panel (6).



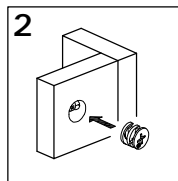
Tip

Cam Locks

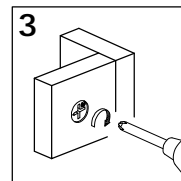
Cam Locks help securely join two pieces together.
Follow these easy steps.



1: Insert Cam Bolt into bolt holes on the flat side. Don't over tighten!



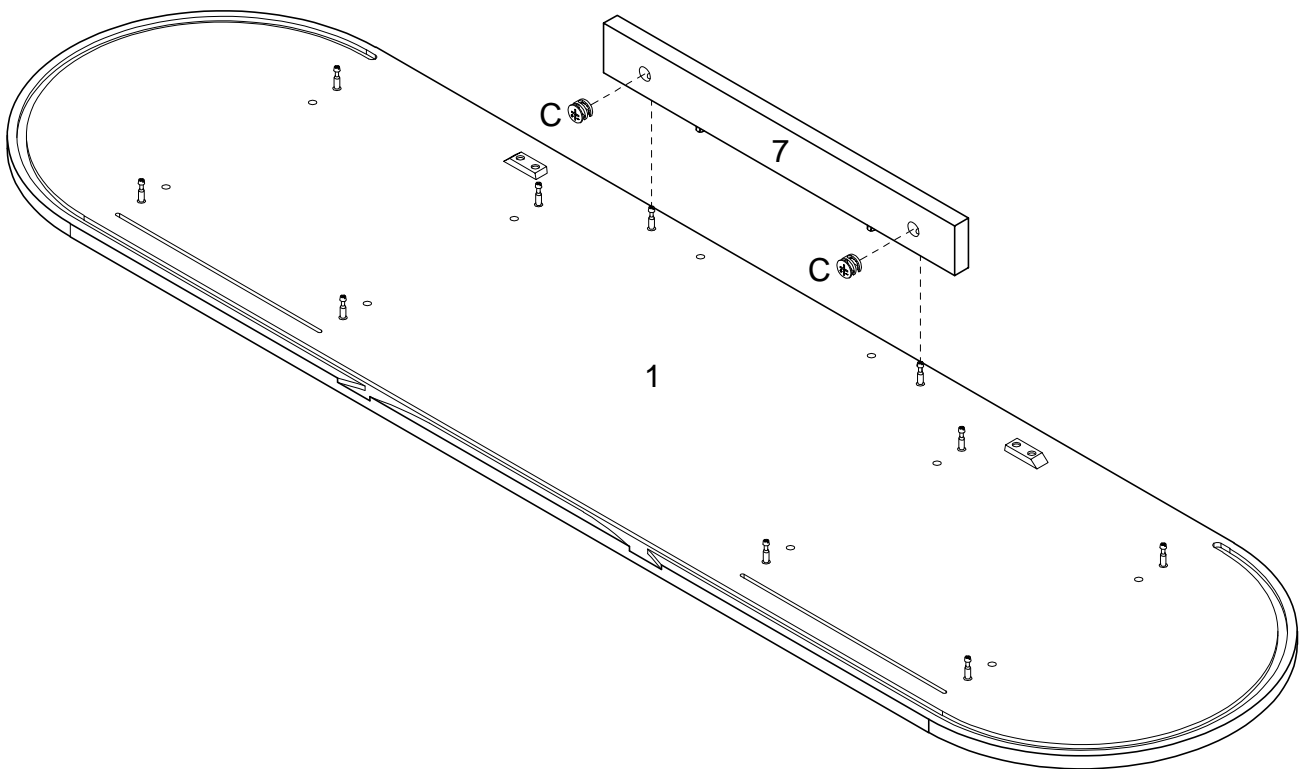
2: Fit the proper holes on the edge of the other part over the Cam Bolts. You should be able to see the cam bolts through the larger hole on the side.



3: On the back of the Cam Lock will be a "C" shape. Insert the Cam Lock so the opening of the "C" fits over the Cam Bolt. Tighten with the screwdriver.

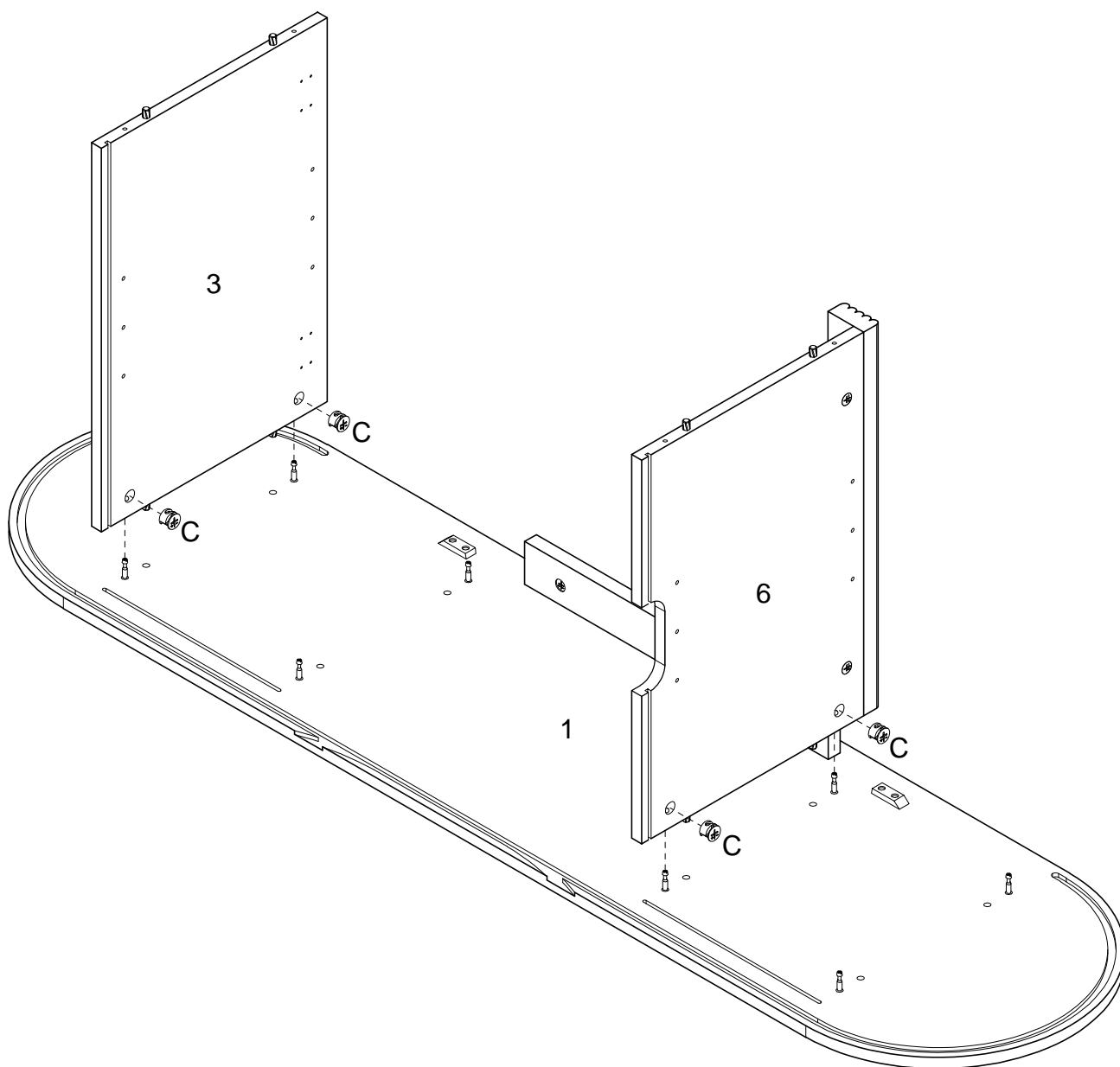
Step 5

Attach the Top Rail (7) to the Top Panel (1) using Cam Locks (C).



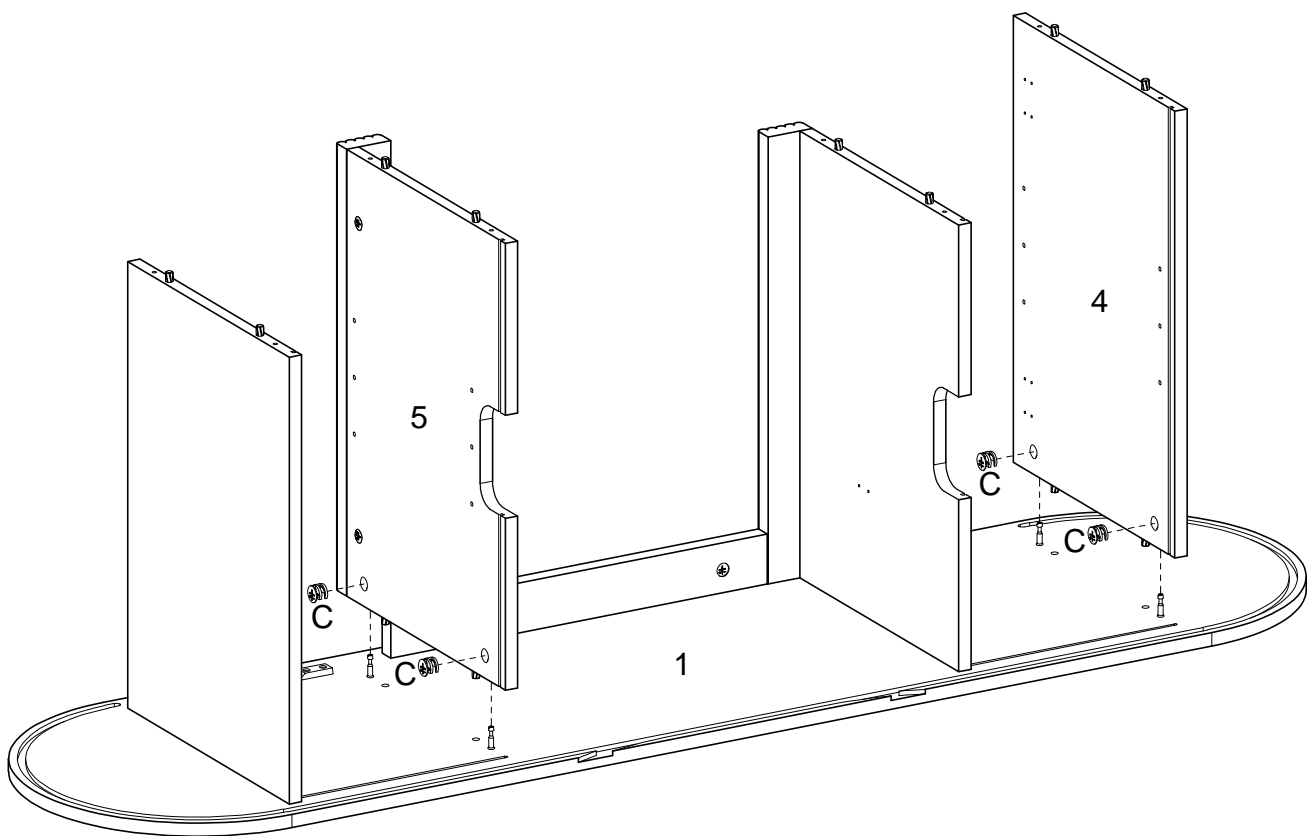
Step 6

Attach the Left Panel (3) and the Right Divider Panel (6) to the Top Panel (1). Secure with Cam Locks (C).



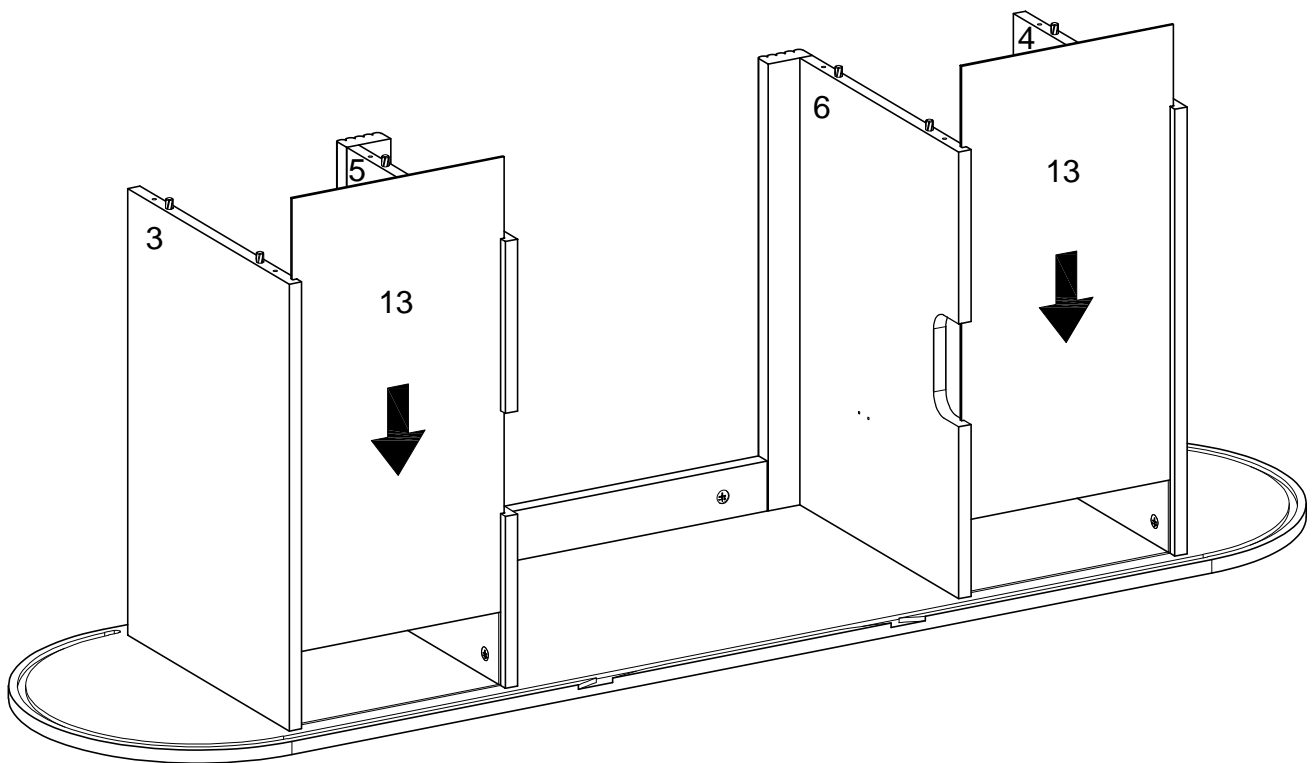
Step 7

Next, you will attach the Right Panel (4) and the Left Divider Panel (5) to the Top Panel (1) using Cam Locks (C).



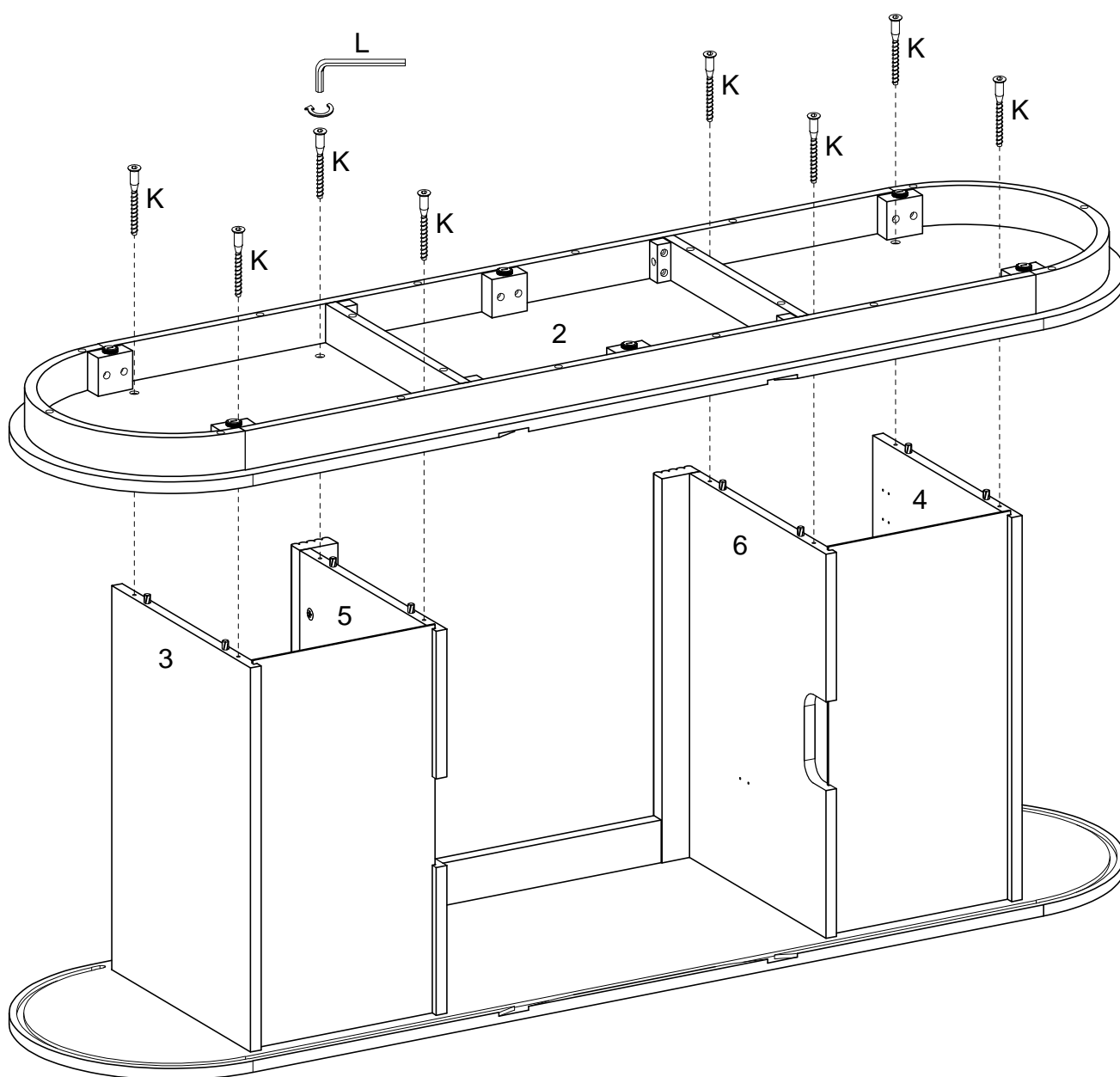
Step 8

Using the grooves as a guide, slide the two Back Panels (13) into place.



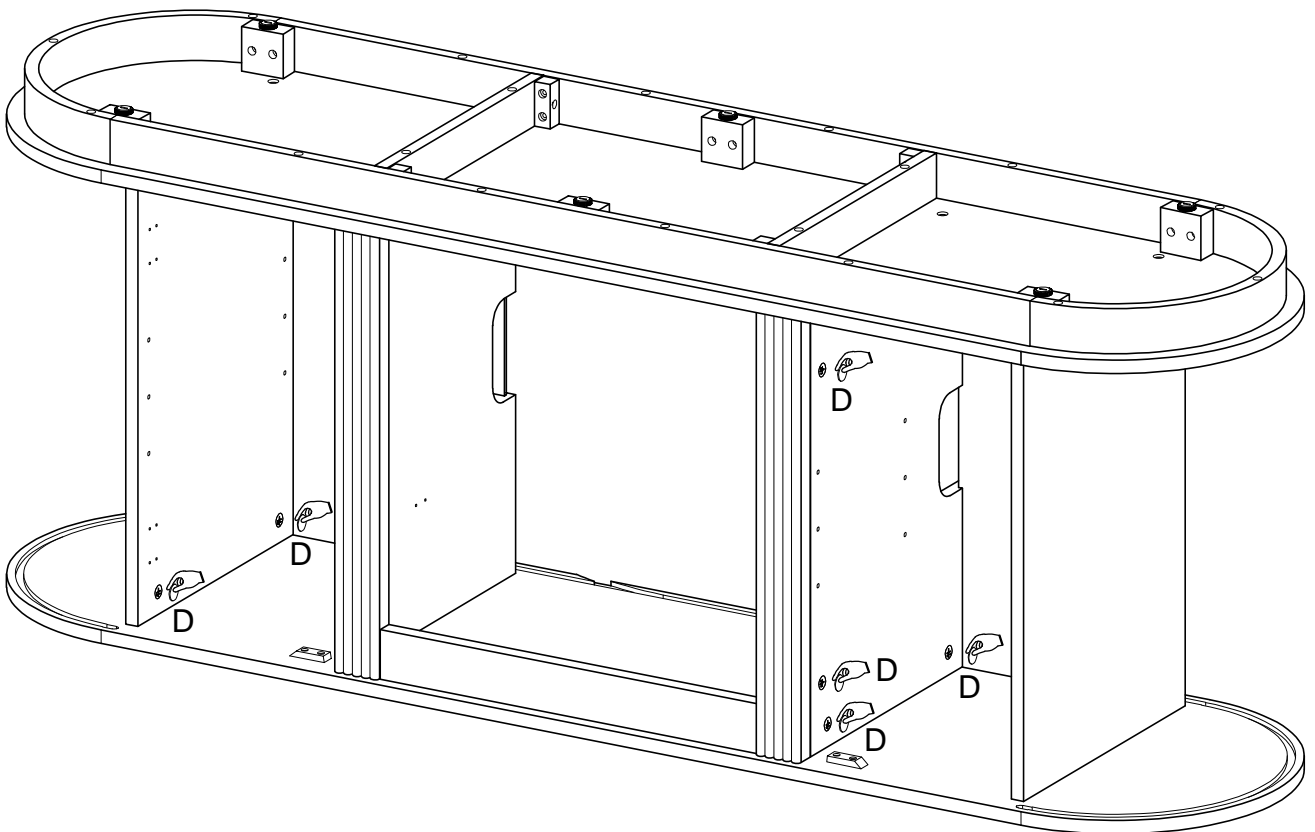
Step 9

Attach the Bottom Frame (2) to the Left Panel (3), Left Divider Panel (5), Right Divider Panel (6), & Right Panel (4) using 50mm Bolts (K).



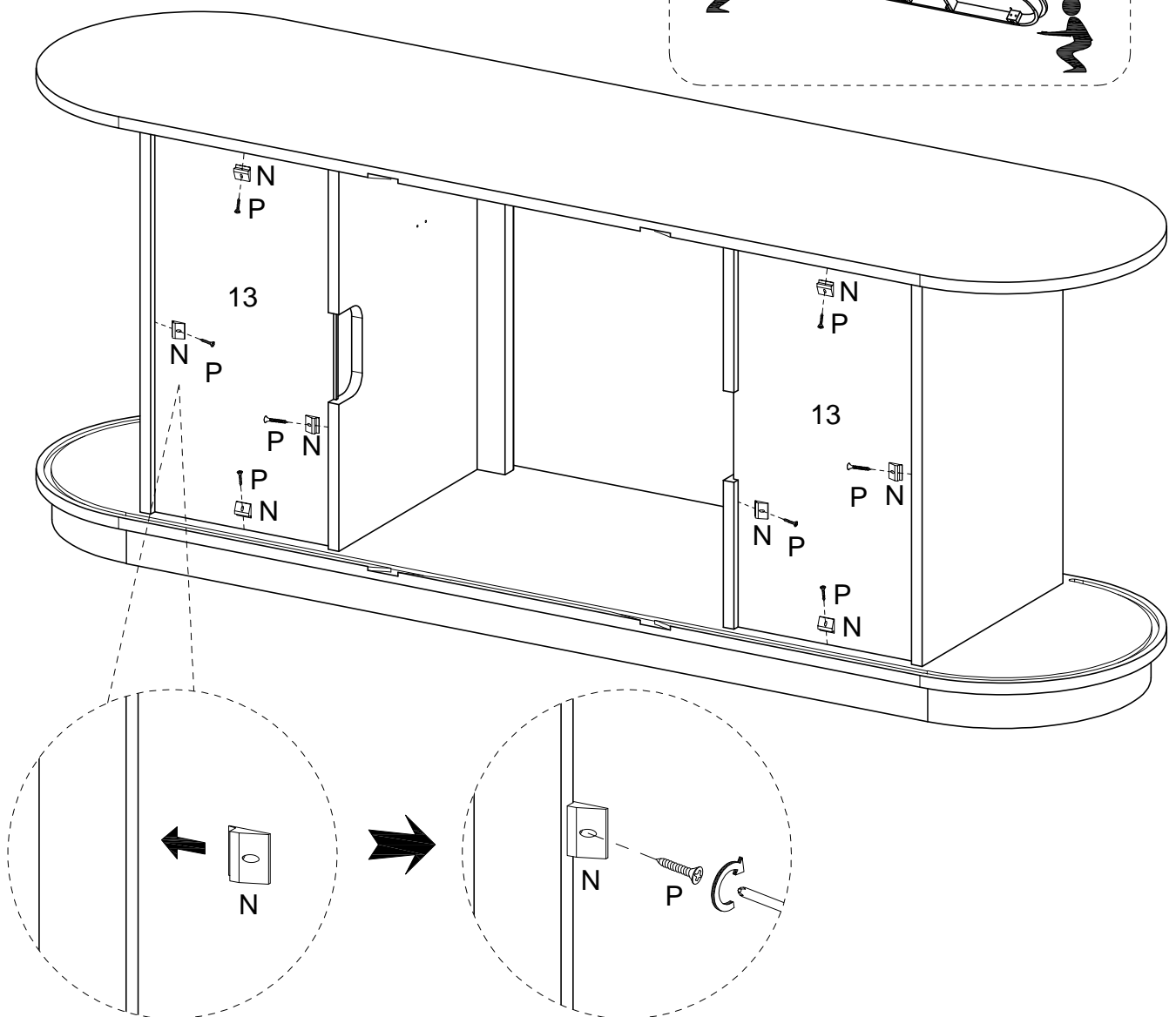
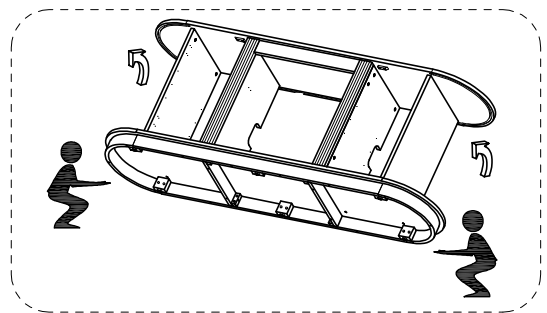
Step 10

Place Stickers (D) over visible Cam Locks.



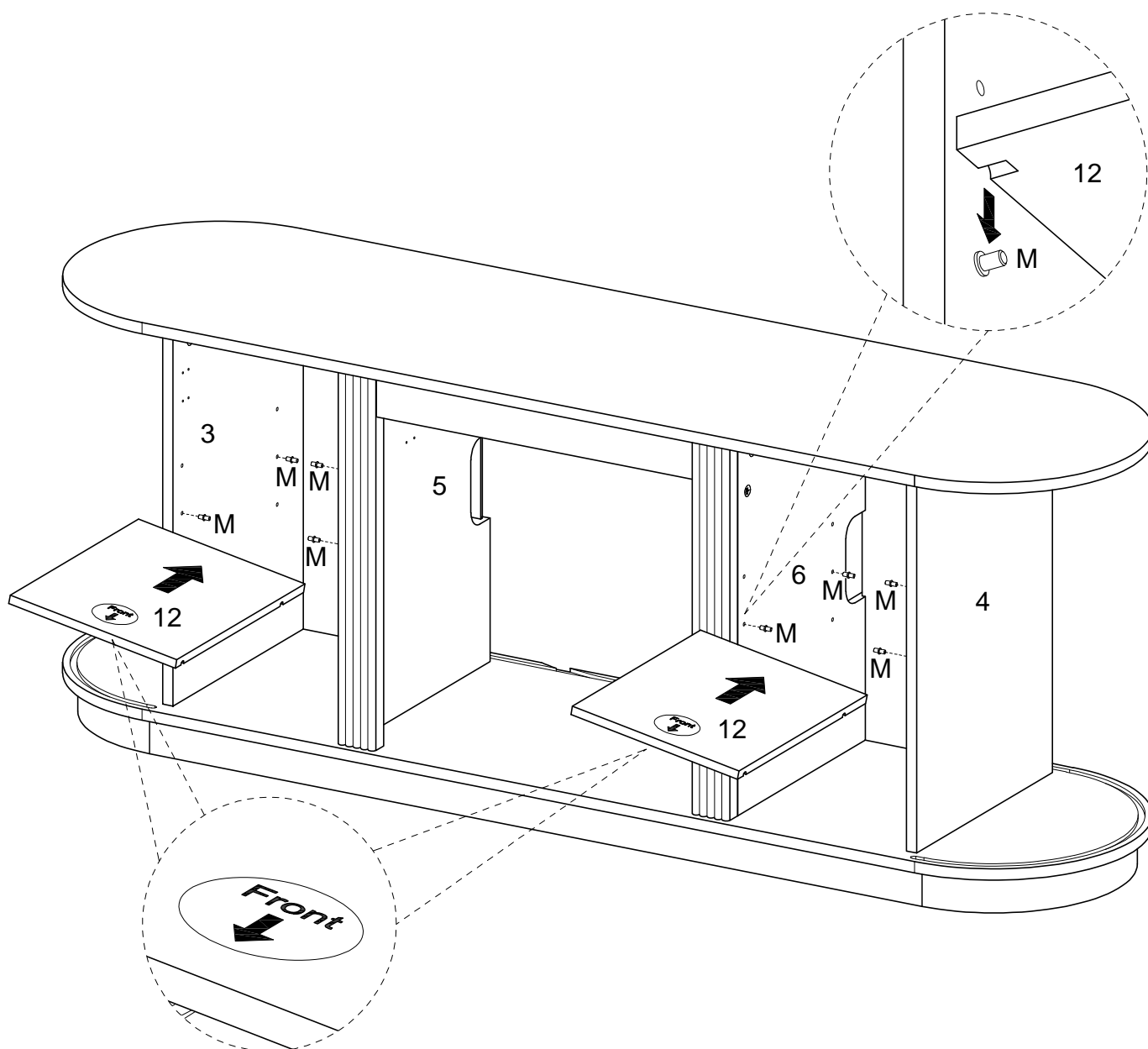
Step 11

Grab a friend and flip the stand upright, so the Bottom Panel (2) is on the floor. Then, evenly space the Plastic Wedges (N) between the Back Panels (13) and frame. Secure the wedges into place using the 17mm Screws (P).



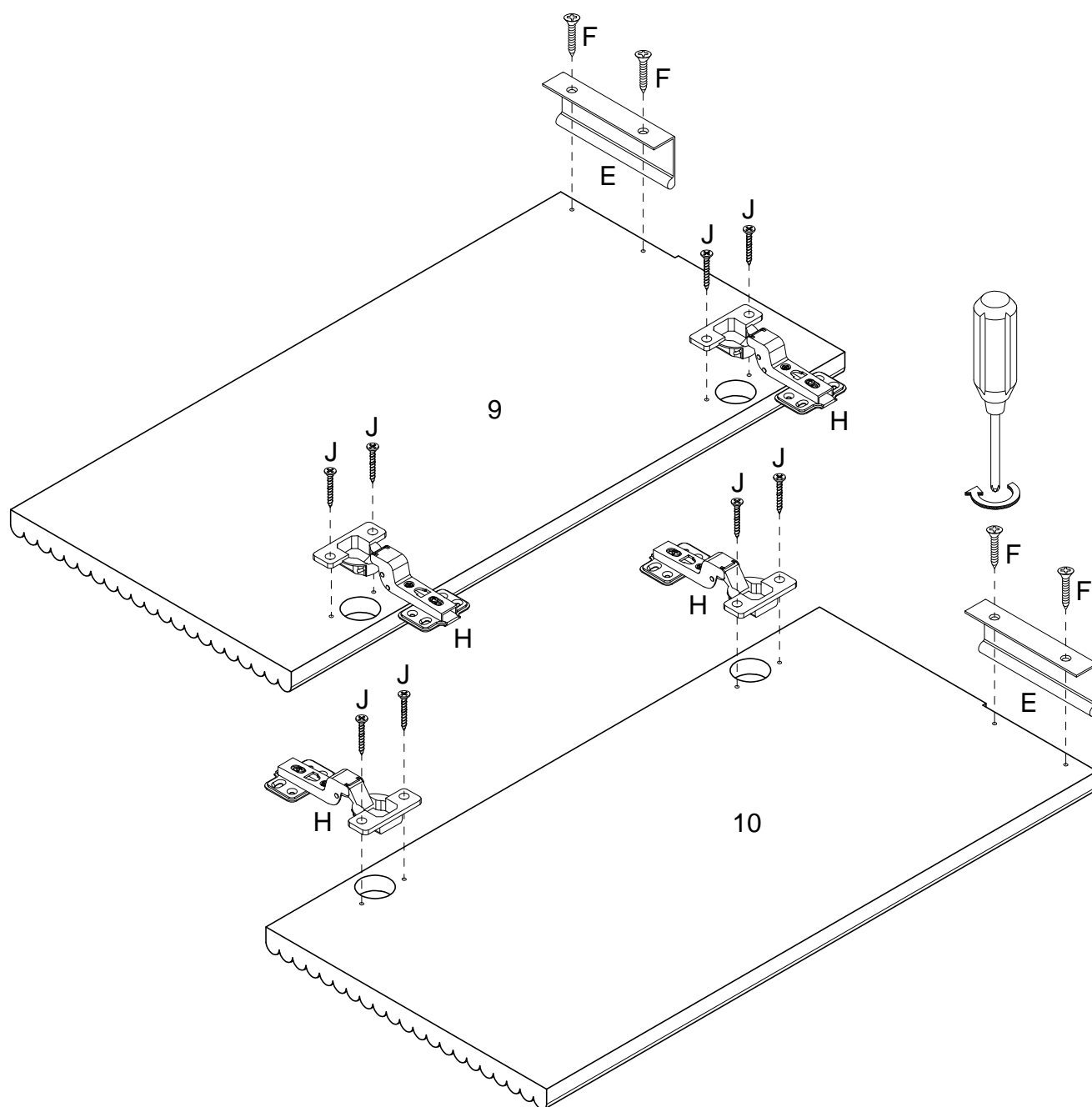
Step 12

Insert the Shelf Support Pins (M) into the Left Panel (3), Left Divider Panel (5), Right Divider Panel (6), & Right Panel (4). Then, slide the Adjustable Shelves (12) into place.



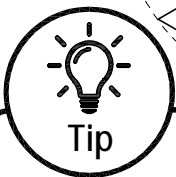
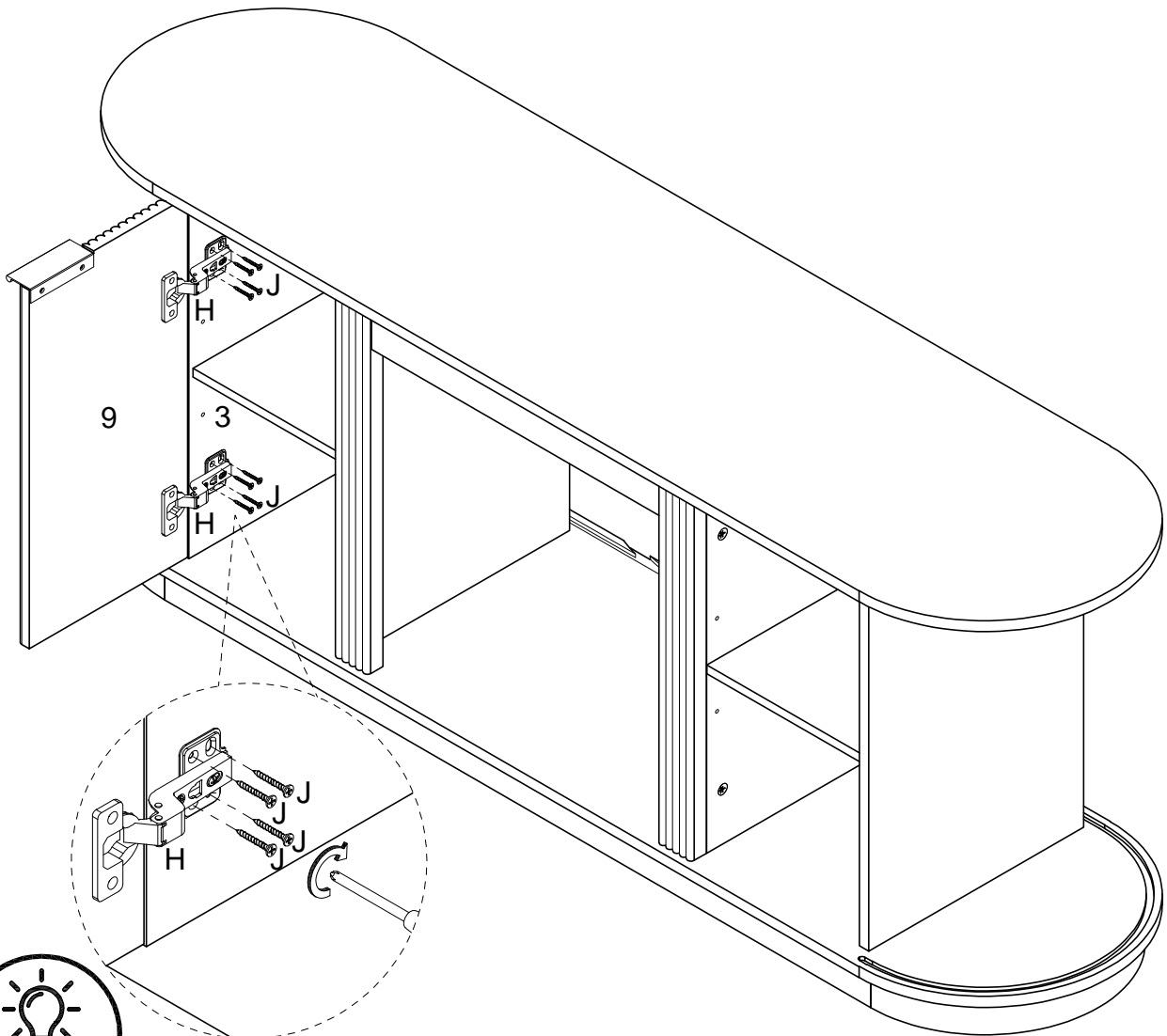
Step 13

Attach the Handles (E) to the Left Door (9) and Right Door (10) using the 14mm Screws (F). Then attach the Hinges (H) to the doors using 15mm Screws (J).



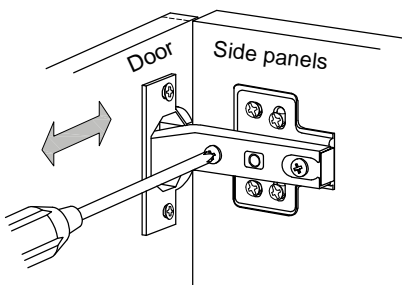
Step 14

Now let's attach the doors. Attach the Hinge (H) on the Left Door (9) to the Left Panel (3) using 15mm Screws (J).

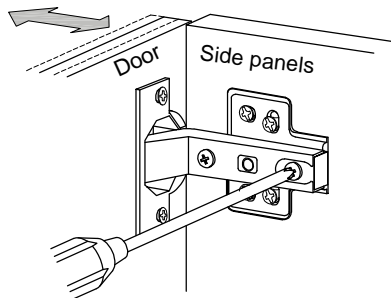


Tip

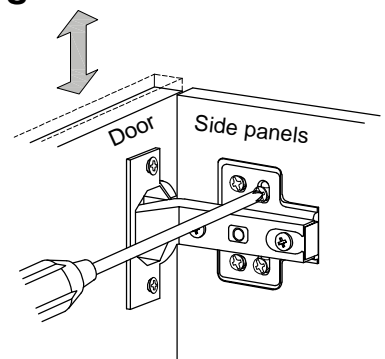
Adjusting The Cabinet Doors



Adjust horizontal width with this screw.



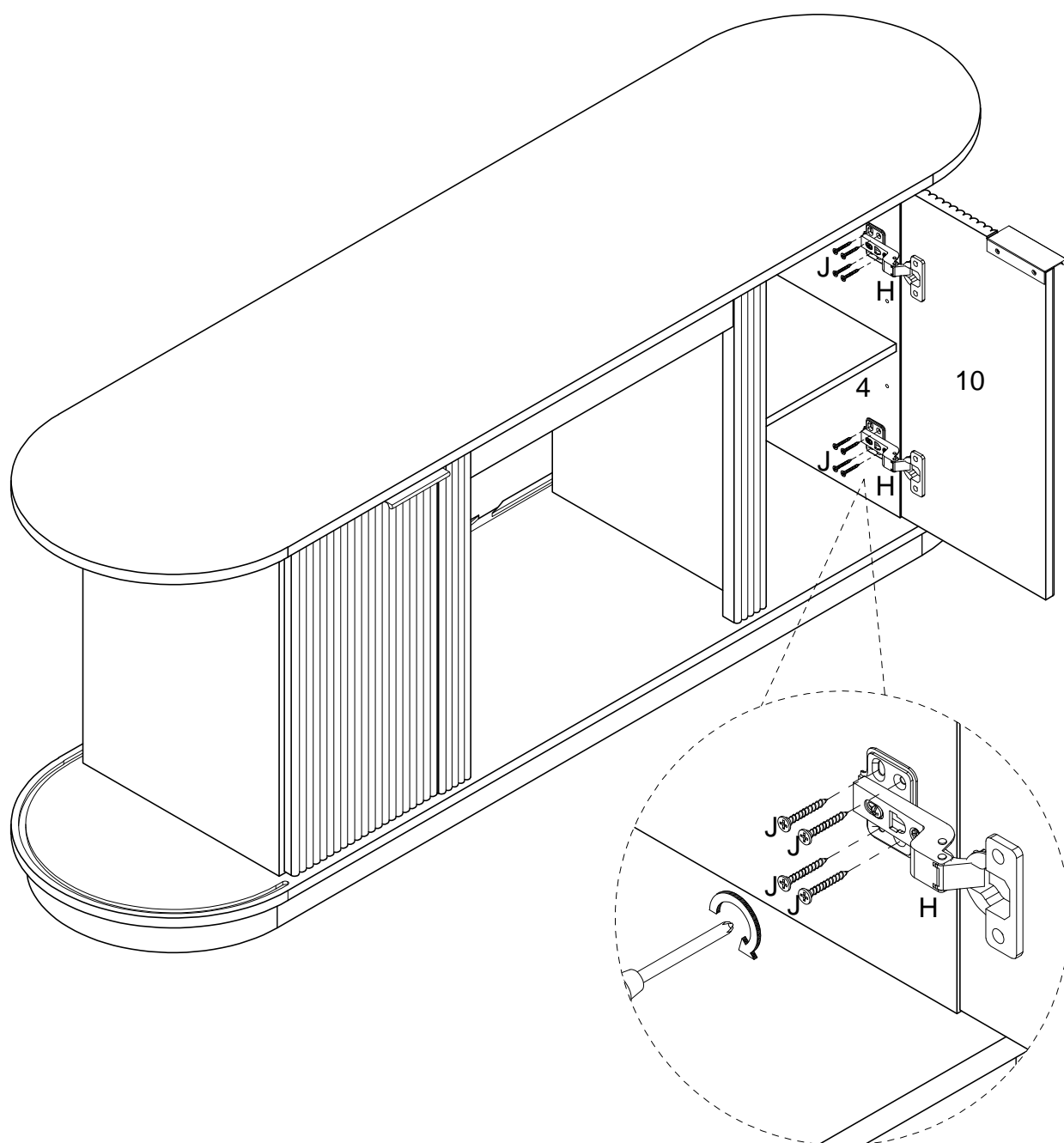
Adjust depth position by loosening the hinge arm mounting screw.



Adjust vertical height via the screws in the mounting plate.

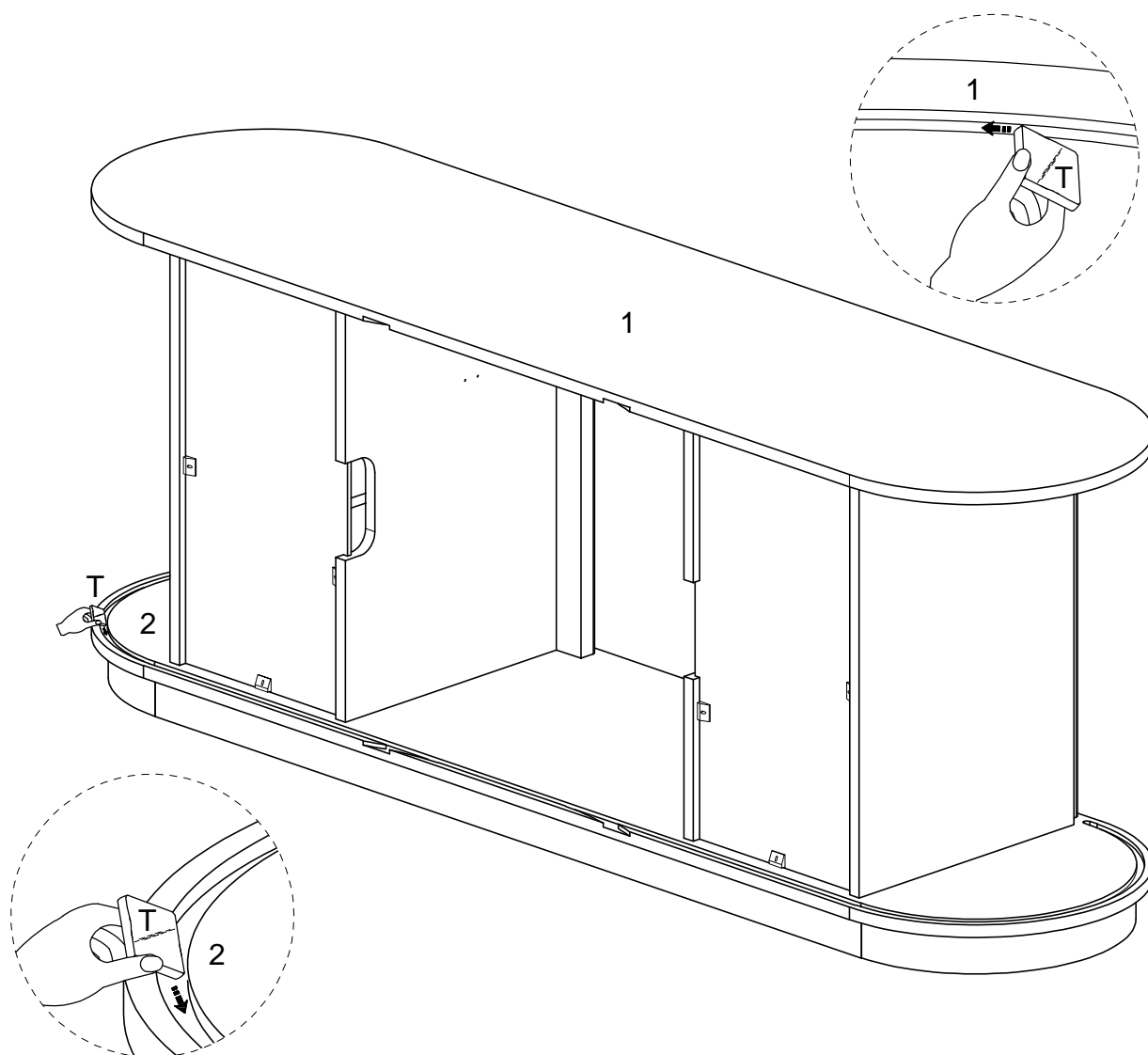
Step 15

Repeat the process for the other side. Attach the Hinge (H) on the Right Door (10) to the Right Panel (4) using 15mm Screws (J).



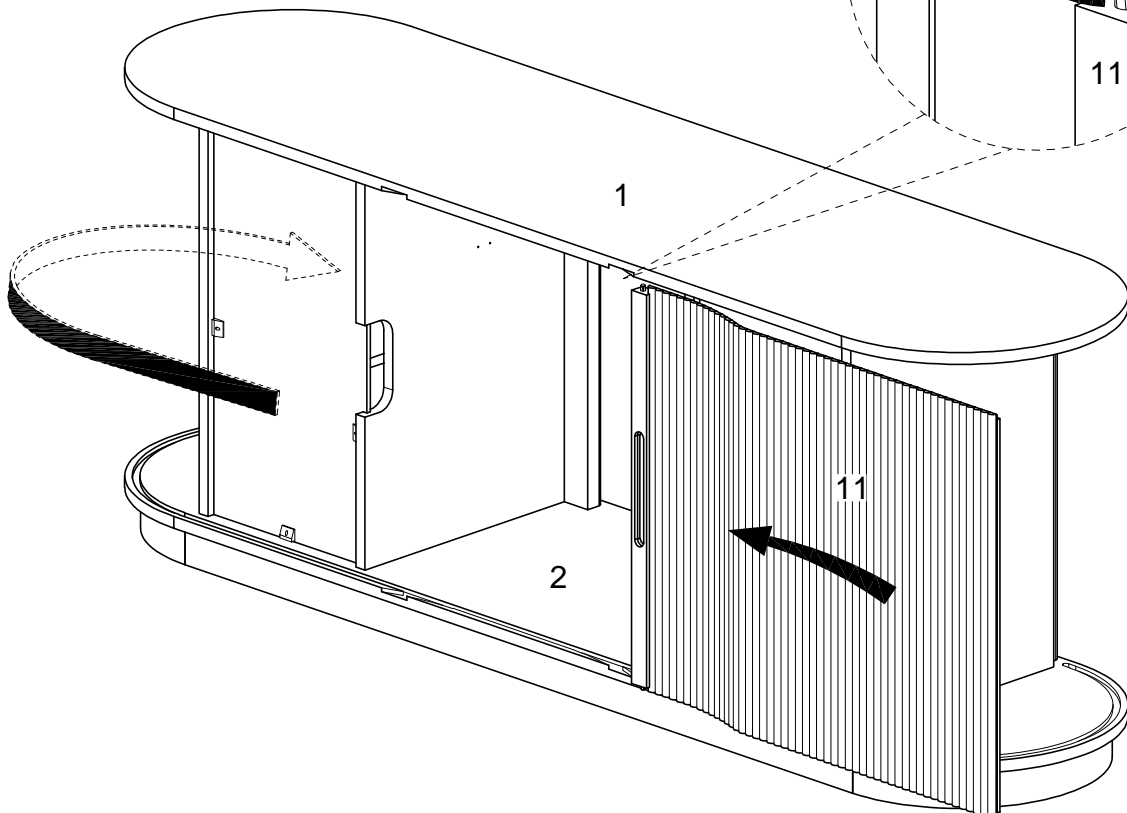
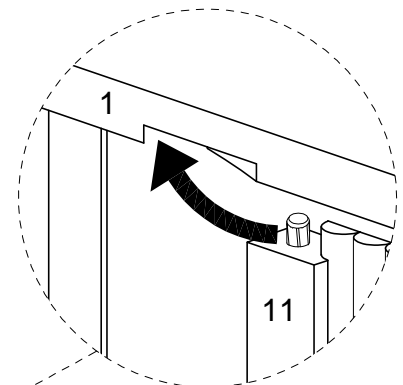
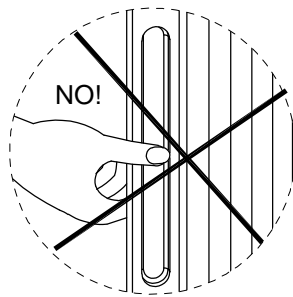
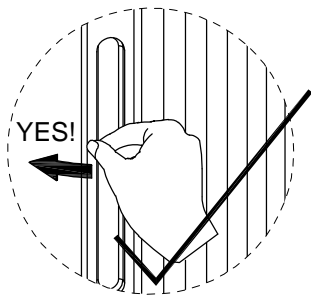
Step 16

To ensure the drawers slide smoothly, rub the Wax (T) into the glides surrounding the Top Panel (1) and Bottom Panel (2).



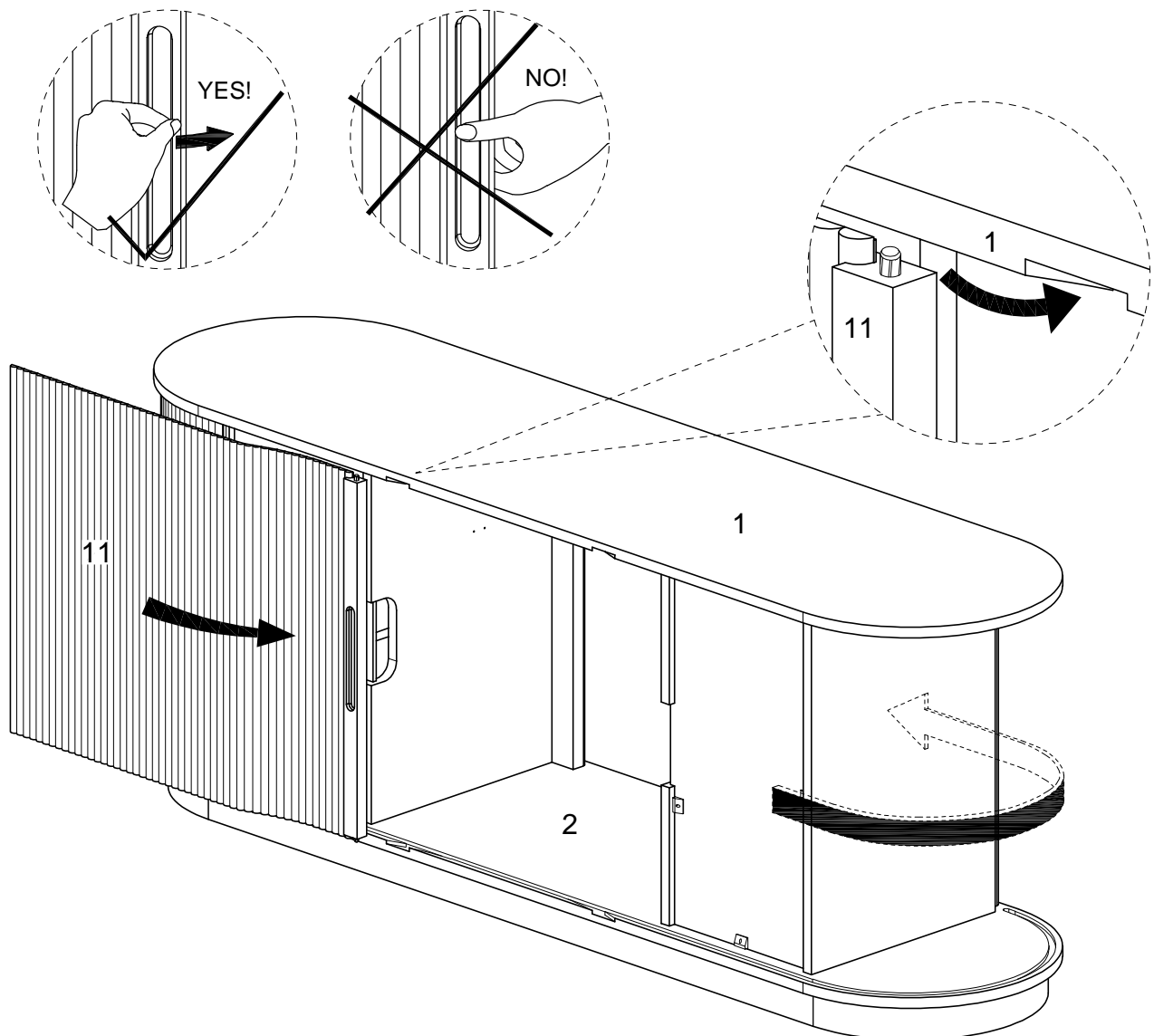
Step 17

Insert one of the Sliding Doors (11) with the handle-side out into the opposite notch in the Top Panel (1) and Bottom Panel (2). Slide the door around until it meets the hinge-side of the Right Door (10).



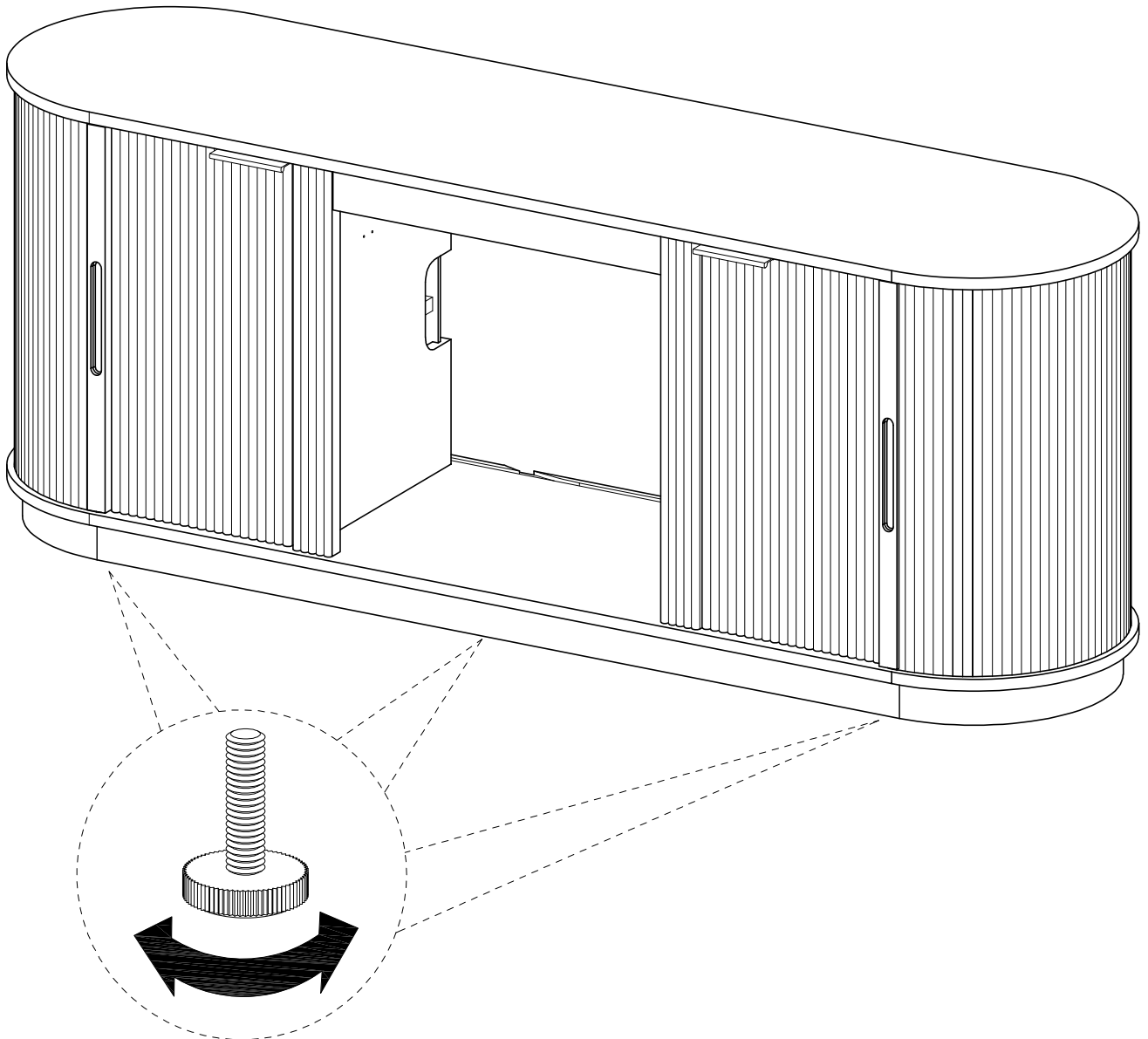
Step 18

Insert the other Sliding Door (11) with the handle-side out into the opposite notch in the Top Panel (1) and Bottom Panel (2). Slide the door around until it meets the hinge-side of the Left Door (9).



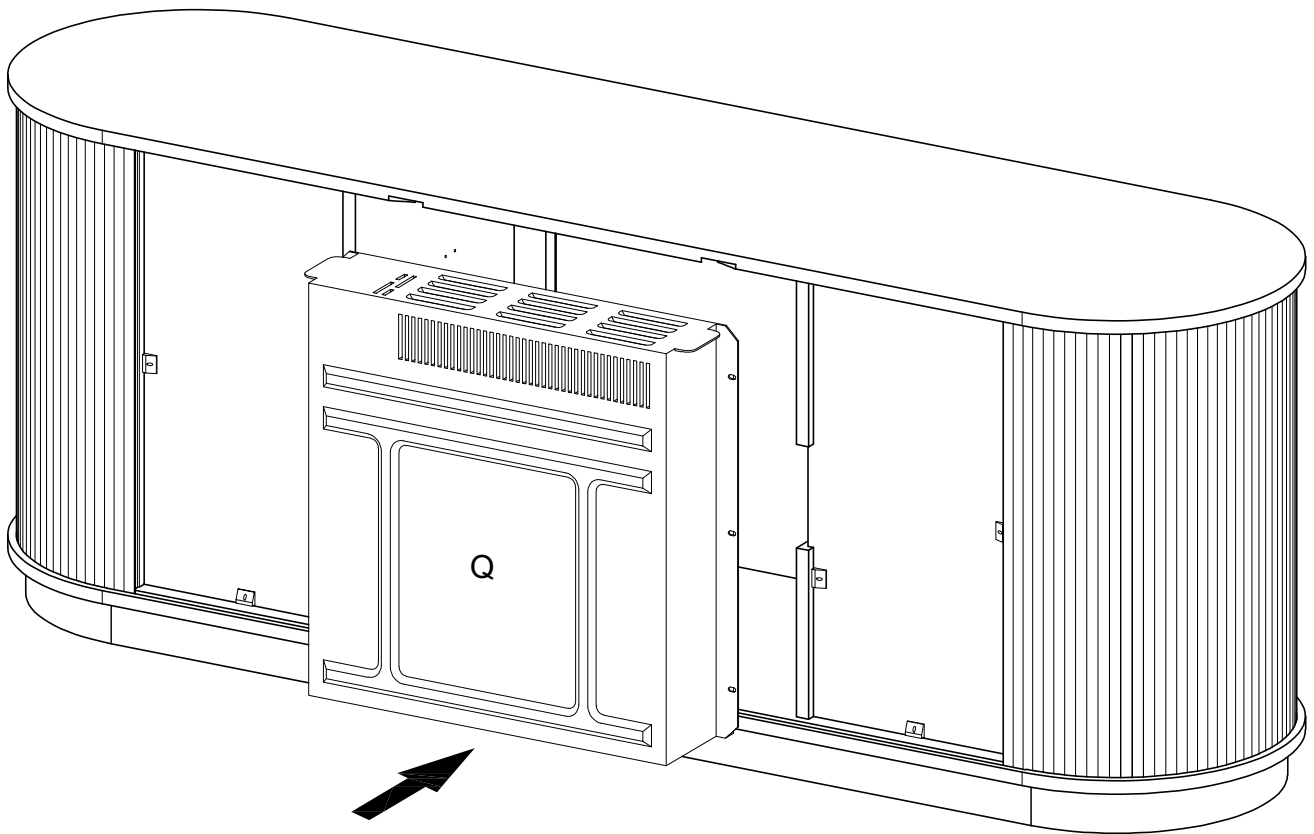
Step 19

Use the adjustable feet to ensure a level surface.



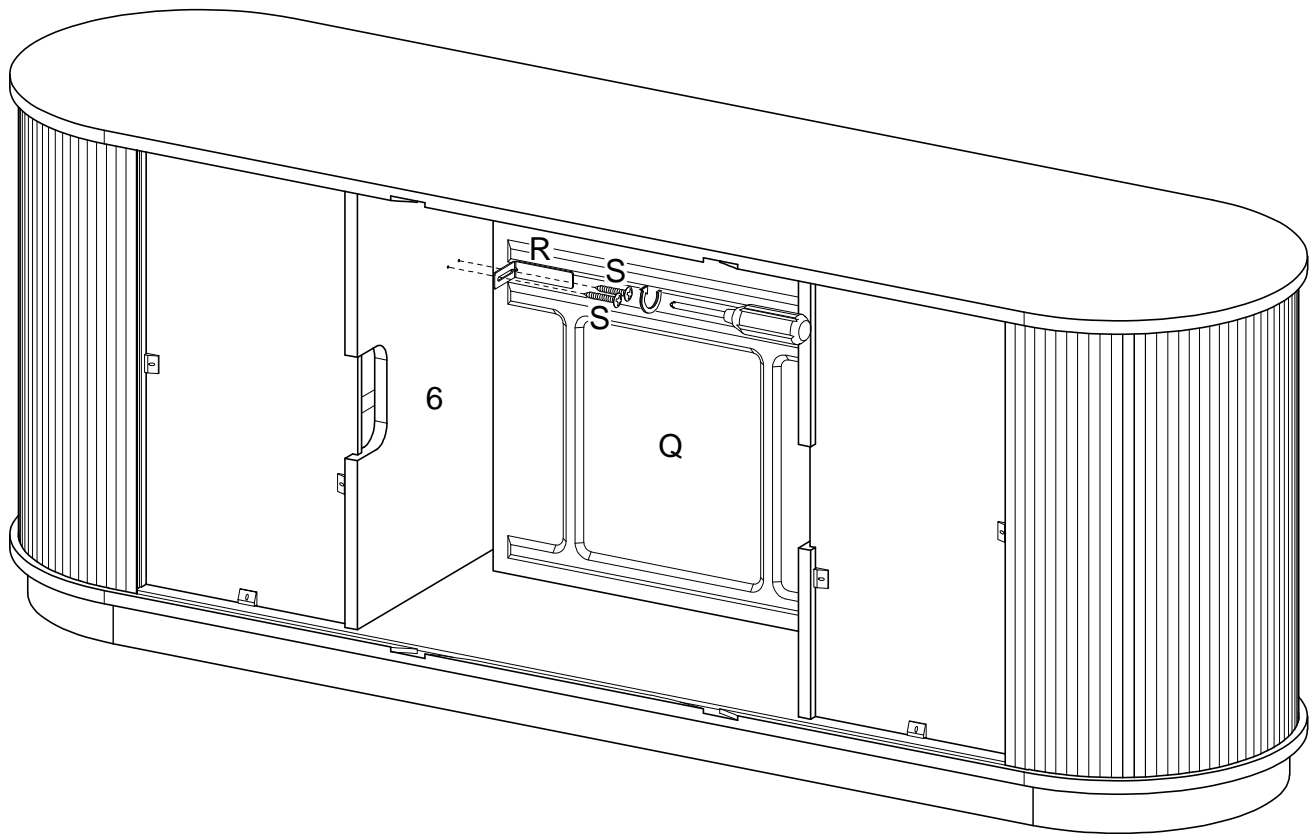
Step 20

Insert the Fireplace Insert (Q) into place on the back side of the tv stand.



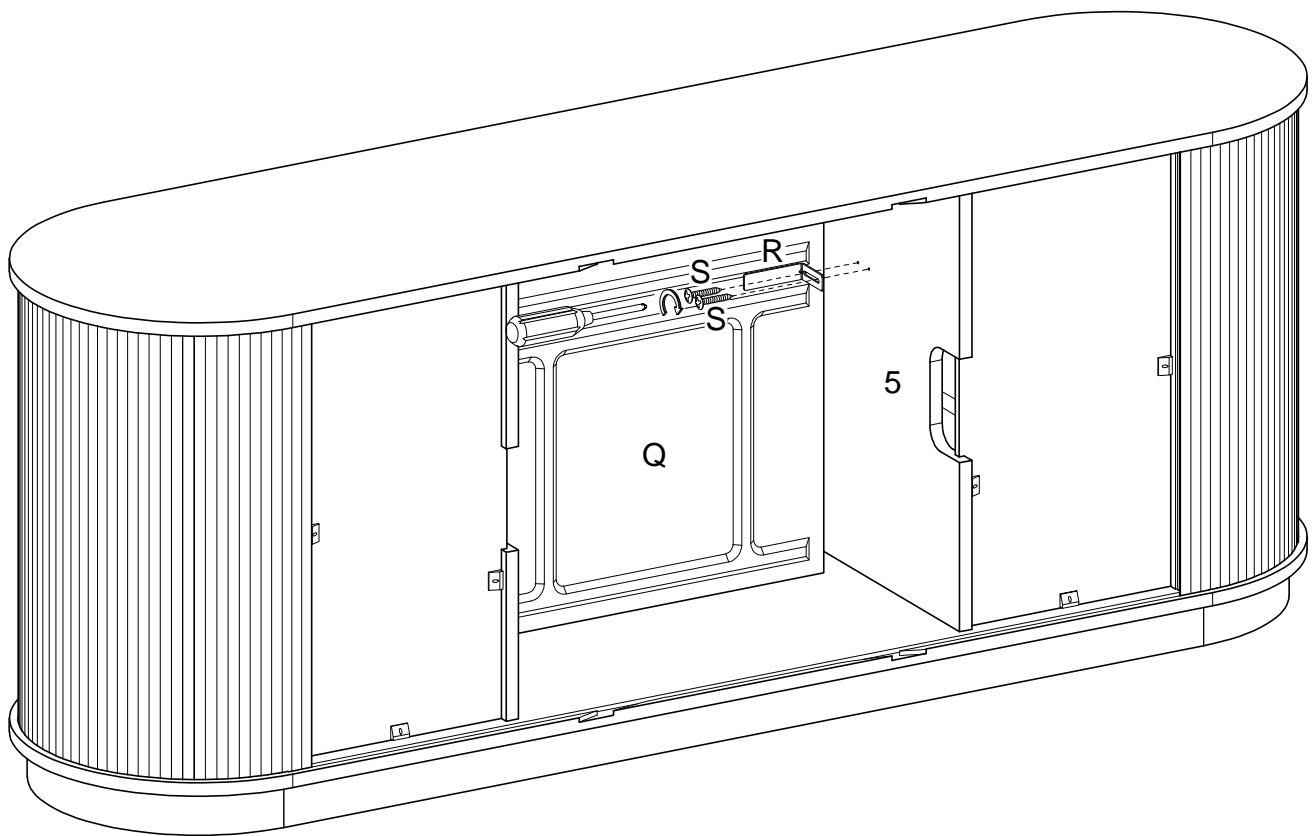
Step 21

Attach the Fireplace Insert (Q) to the tv stand by attaching the L-Shaped Bracket (R) to the Right Divider Panel (6) using 12mm Screws (S).



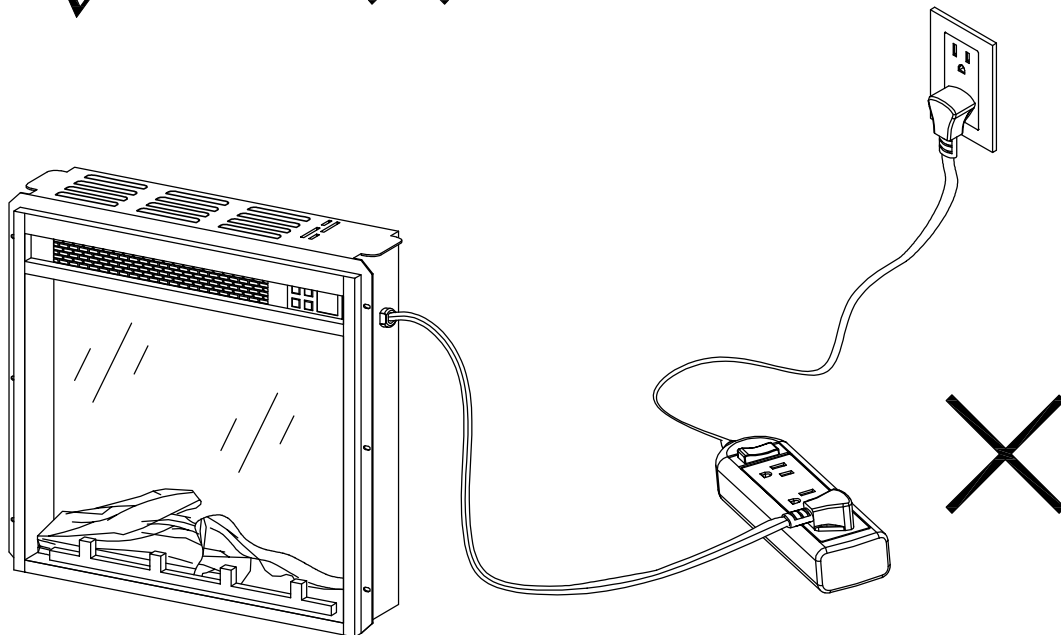
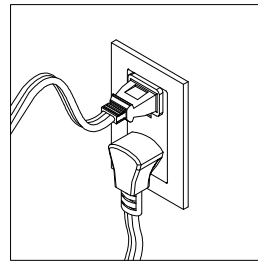
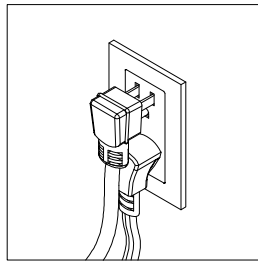
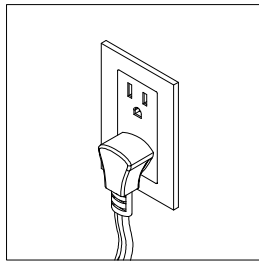
Step 22

Repeat for the other side. Attach the other L-Shaped Bracket (R) to the Left Divider Panel (5) using 12mm Screws (S).



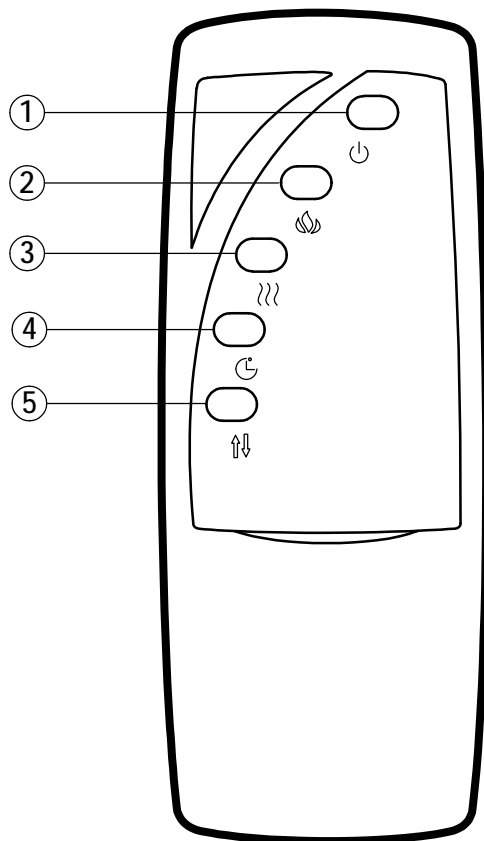
Step 23

For your safety, please ensure that your Fireplace is securely plugged into the wall outlet, and that it is the only device connected to the outlet.

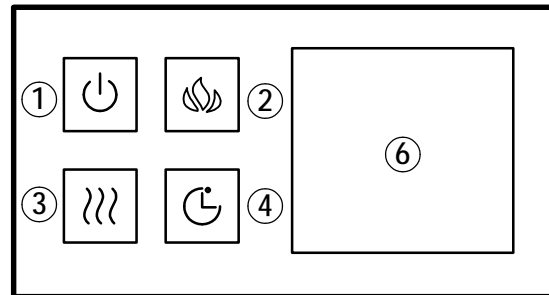




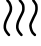


Fireplace Controls

Remote Control



Fireplace Control

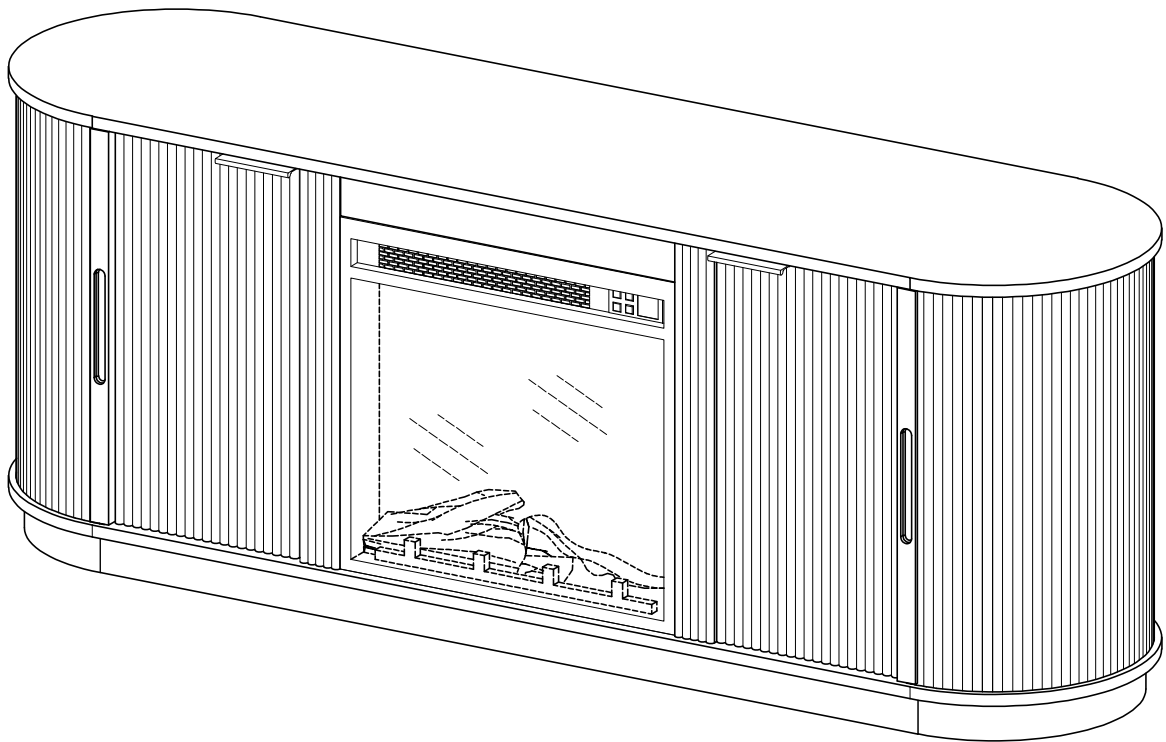


- ①  Power Button: Use this button to turn your fireplace on or off. When you turn it back on, it will remember your last flame and heat settings, so you can pick up right where you left off!
- ②  Flame On/Off + Brightness Control: Use this button to turn the flame on and adjust the brightness to one of four settings. To turn off the flame, cycle through all brightness settings.
- ③  Heat On/Off: This button lets you easily turn the heat on or off.
- ④  Timer: This button allows you to set a timer to automatically turn off the fireplace after 1 to 9 hours.
- ⑤  Temperature Control: When the heat is on, use this button to cycle through different temperature settings and find your perfect comfort level.
- ⑥ LED Display

Note: You can adjust the flame and heat independently, or even run the flame with the heat off, for the perfect ambiance and comfort setting!

Final Assembly

Sit back and admire your hard work. Cozy up and enjoy your new fireplace tv stand!



Congratulations on your new piece of furniture!

We would love to hear about it and see it.
Please leave us a review or post a picture with
#mywalkerredisonhome

Assembling furniture can be tricky sometimes.

Our customer service team, located in Utah, is here for product information, help assembling a product, or for any other customer support issue

Call us at **801-433-3008**

Email us at service@walkeredison.com

Visit our Customer Service website at
walkeredison.com/pages/customer-service

We are available to help Monday -Thursday 8am-5pm, Friday
8am-3pm MST

For details on Assembly Videos, Assembly Instructions,
Replacement Parts, and Customer service,
SCAN HERE

