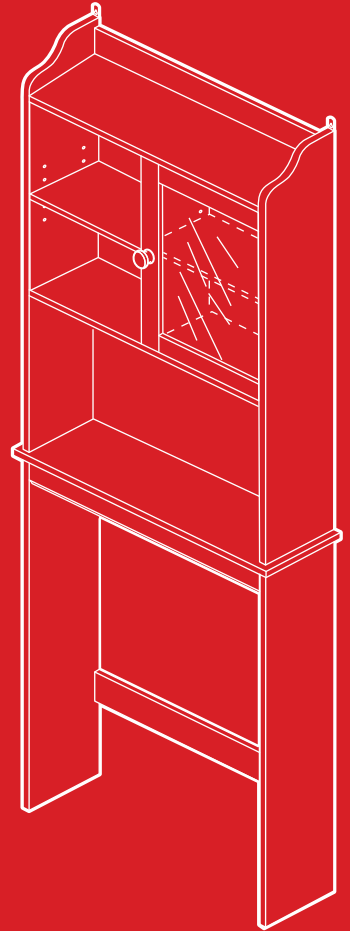




bestchoiceproducts



INSTRUCTION MANUAL

Over-the-Toilet Bathroom
Storage Cabinet

NOTICE

- Please do not exceed the weight limitations of this item.
- Do not stand on or use any part of this product as a step ladder.
- Firmly secure all bolts, screws and knobs before use.
- Reconfirm that all bolts, screws, and knobs are secure every 90 days.
- Do not use or store this item in the proximity of open flame or flammable/combustible chemicals.
- If any parts are missing, broken, damaged, or worn, stop using this item until repairs are made and/or factory replacement parts are installed.
- Do not use this item in a way inconsistent with the manufacturer's instructions as this could void the product warranty.

TOOLS REQUIRED



PHILLIPS
SCREWDRIVER



DRILL &
DRILL BIT



PENCIL
& RULER



1 PERSON
ASSEMBLY

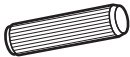


APPROXIMATELY
30 MIN.
ASSEMBLY

HARDWARE

1

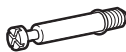
M8 DOWEL



24 PCS

2

CAM BOLT



17 PCS

3

9.5MM CAM
LOCK



7 PCS

4

UPPER DOOR
HINGE



1 PC

5

LOWER DOOR
HINGE



1 PC

6

M4 X 16MM
SCREW



1 PC

7

KNOB



1 PC

8

METAL PLATE



1 PC

9

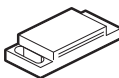
M3 X 12MM
SCREW



1 PC

10

MAGNETIC
CATCH



1 PC

11

SHELF PEG



8 PCS

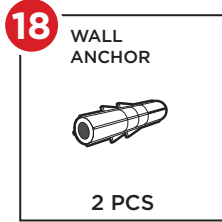
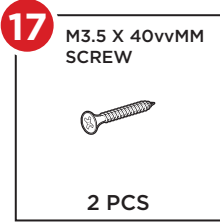
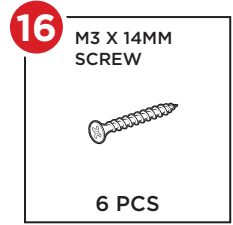
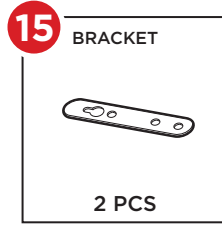
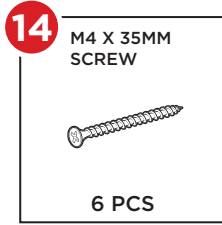
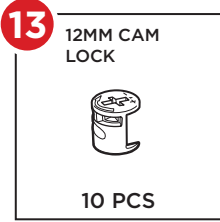
12

M3 X 14MM
SCREW

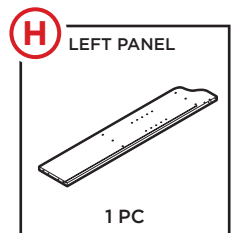
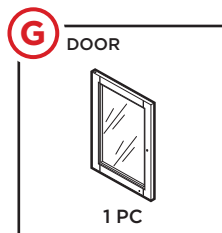
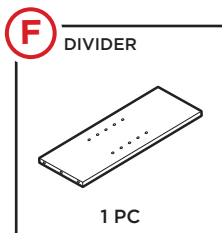
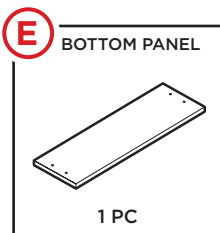
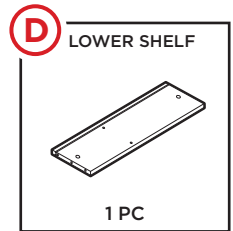
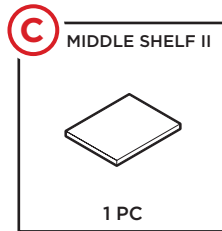
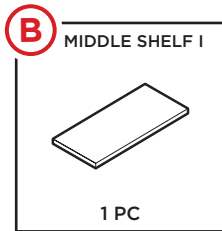
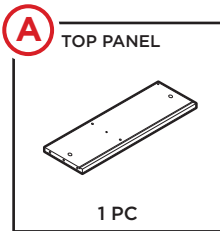


2 PCS

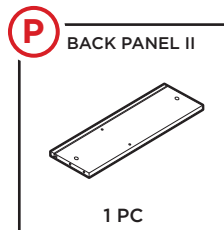
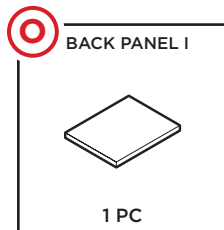
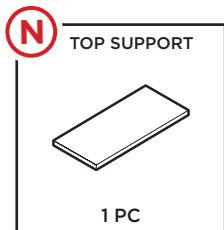
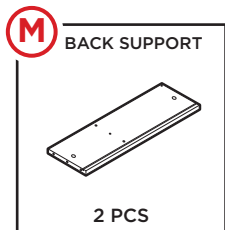
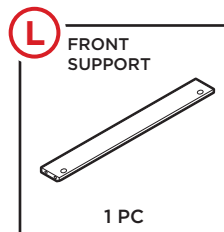
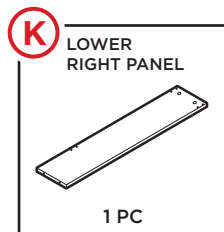
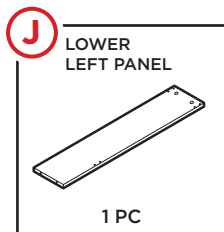
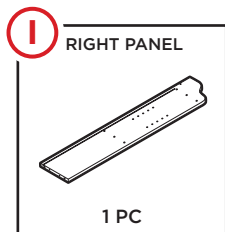
HARDWARE



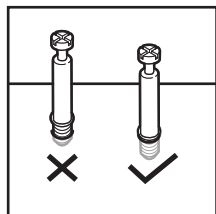
PARTS



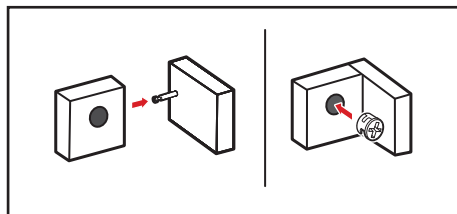
PARTS



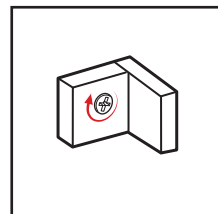
TIGHTENING CAMLOCKS



1. Screw cam bolt in completely.



2. Insert cam bolt and cam lock into designated holes.



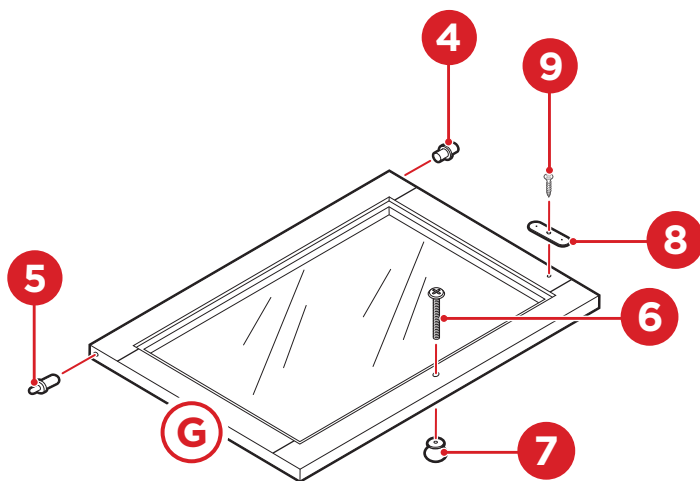
3. Screw cam lock clockwise to secure cam bolt.

PRODUCT ASSEMBLY

1

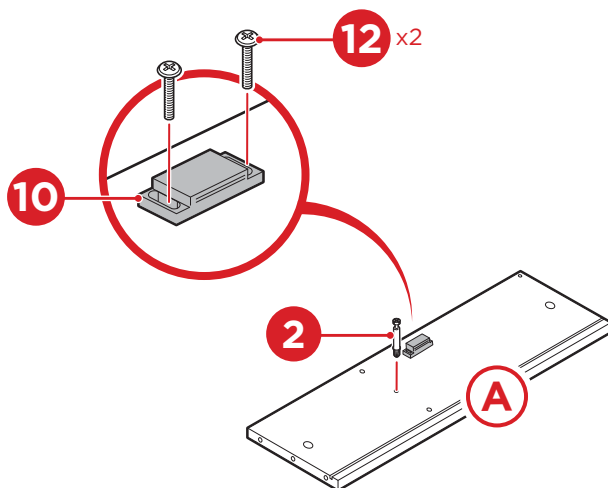
Attach a part 7 knob to the part G door with a part 6 screw. Attach a part 8 metal plate with a part 9 screw.

Insert a part 4 upper door hinge and part 5 lower door hinge.



2

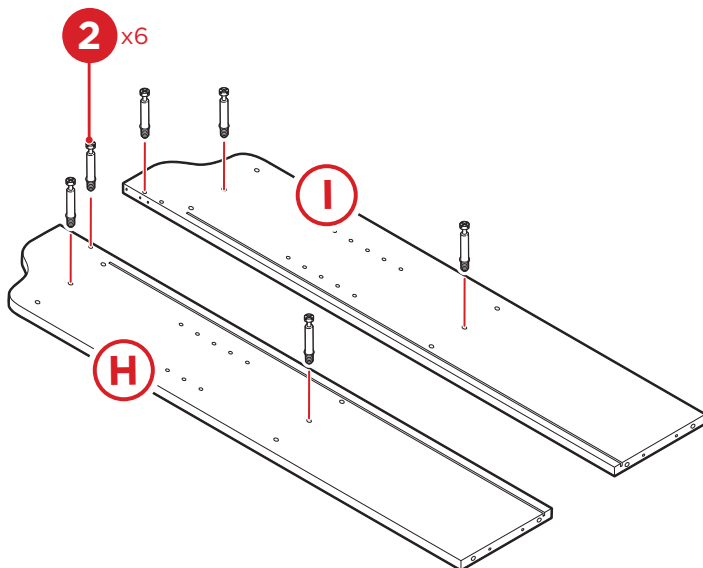
Screw a part 2 cam bolt into the part A top panel. Attach the part 10 magnetic catch with two part 12 screws.



PRODUCT ASSEMBLY

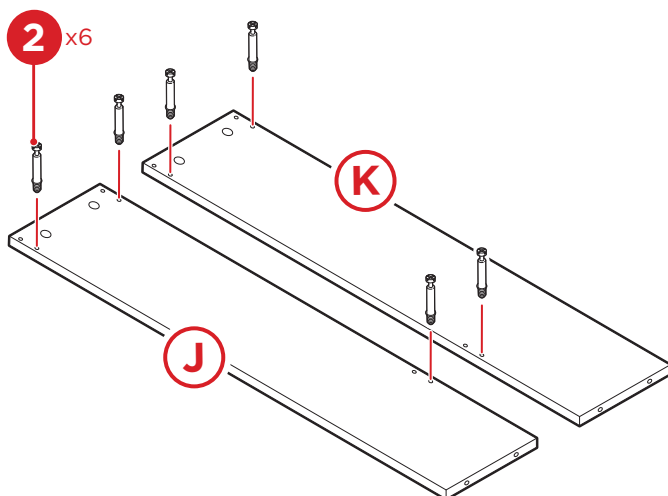
3

Screw six part 2 cam bolts into part H left panel and part I right panel.



4

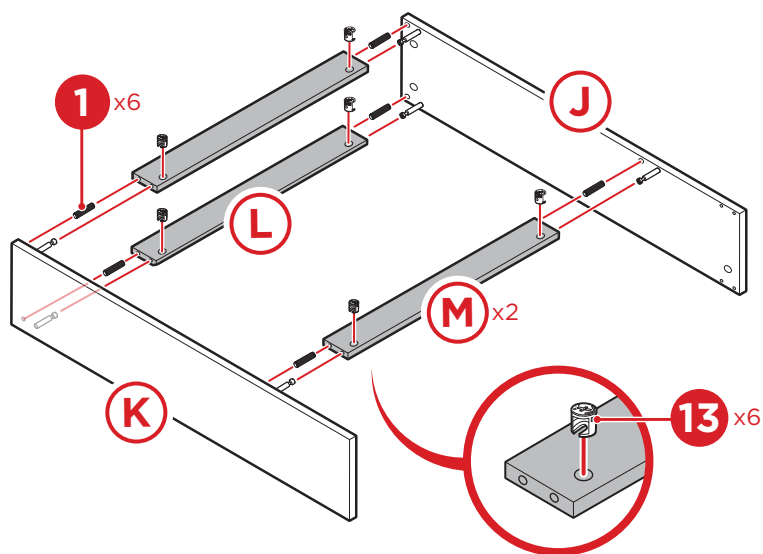
Screw six part 2 cam bolts into part J lower left panel and part K lower right panel.



PRODUCT ASSEMBLY

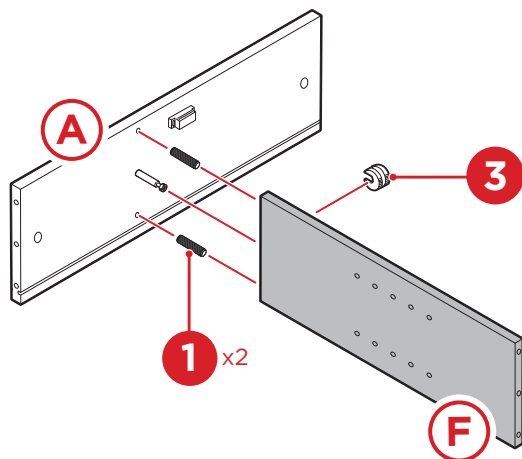
5

Attach the lower panels to a part L front support and two part M back supports with six part 1 dowels and six part 13 cam locks.



6

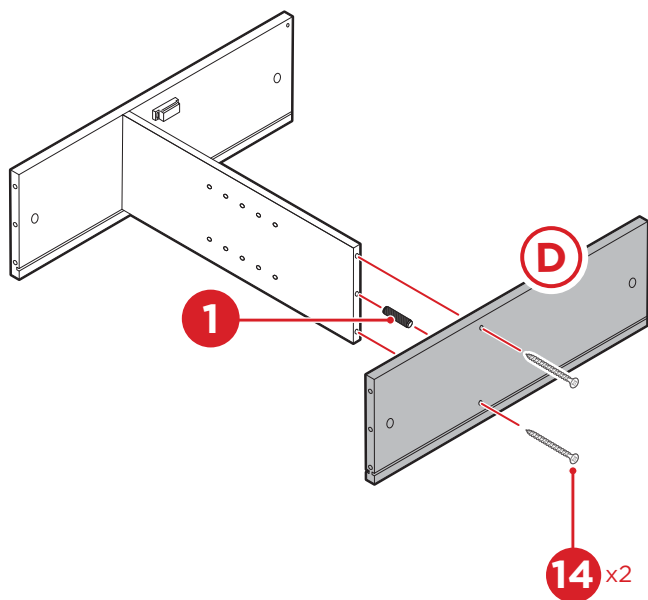
Attach the part F divider to part A top panel with two part 1 dowels and a part 3 cam lock.



PRODUCT ASSEMBLY

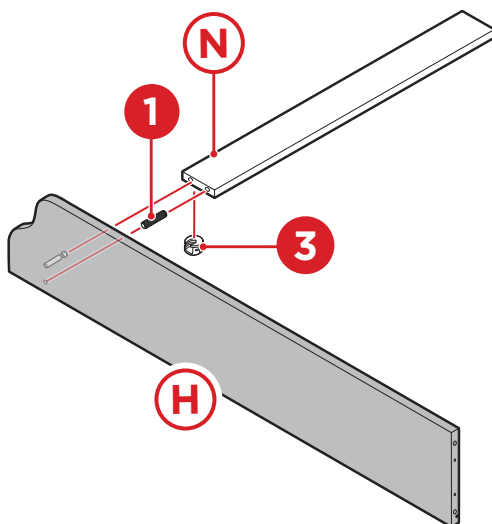
7

Attach part D lower shelf with a part 1 dowel and two part 14 screws.



8

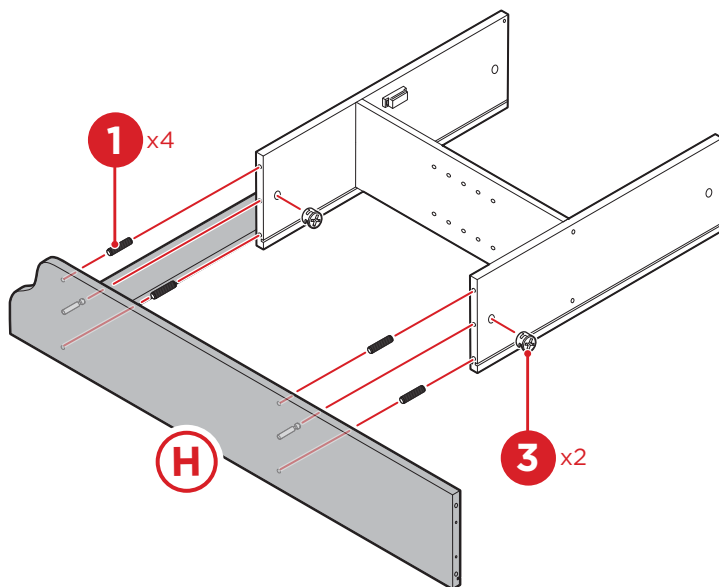
Attach part N top support to part H left panel with a part 1 dowel and part 3 cam lock.



PRODUCT ASSEMBLY

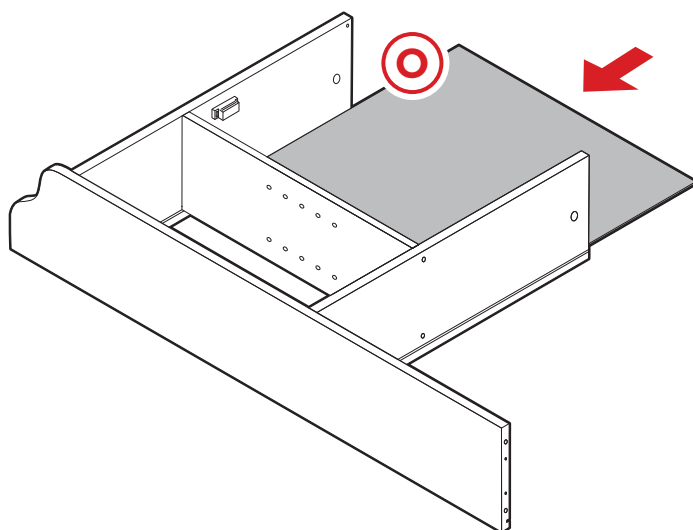
9

Attach shelf assembly to left panel with four part 1 dowels and two part 3 cam locks.



10

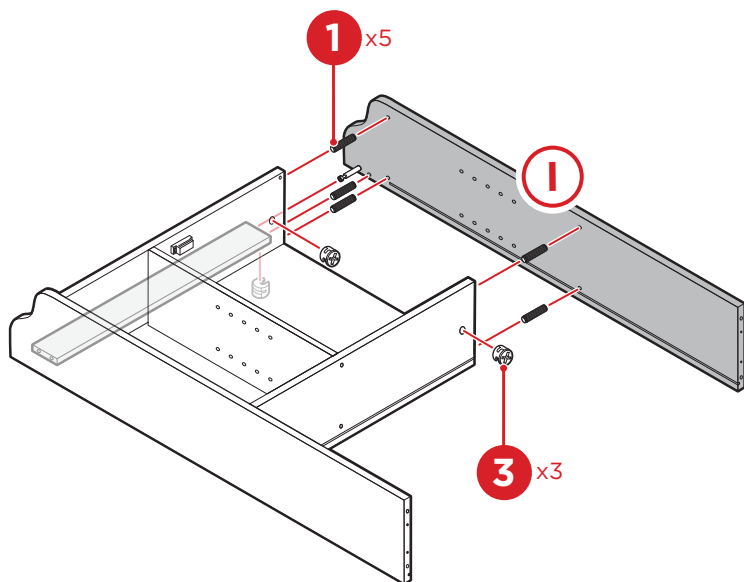
Slide in the part O back panel.



PRODUCT ASSEMBLY

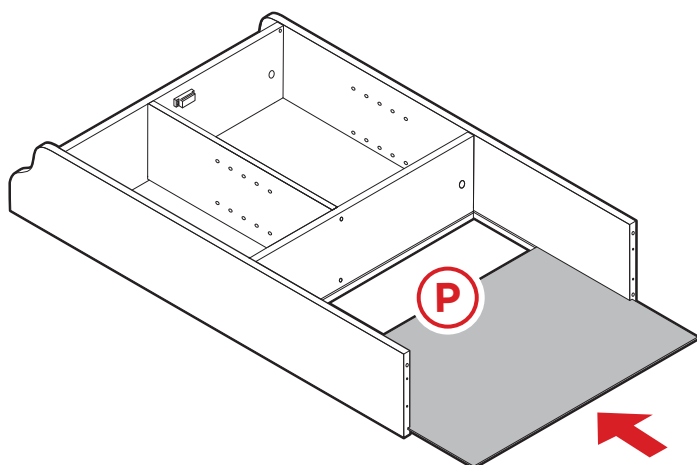
11

Attach part I right panel with five part 1 dowels and three part 3 cam locks.



12

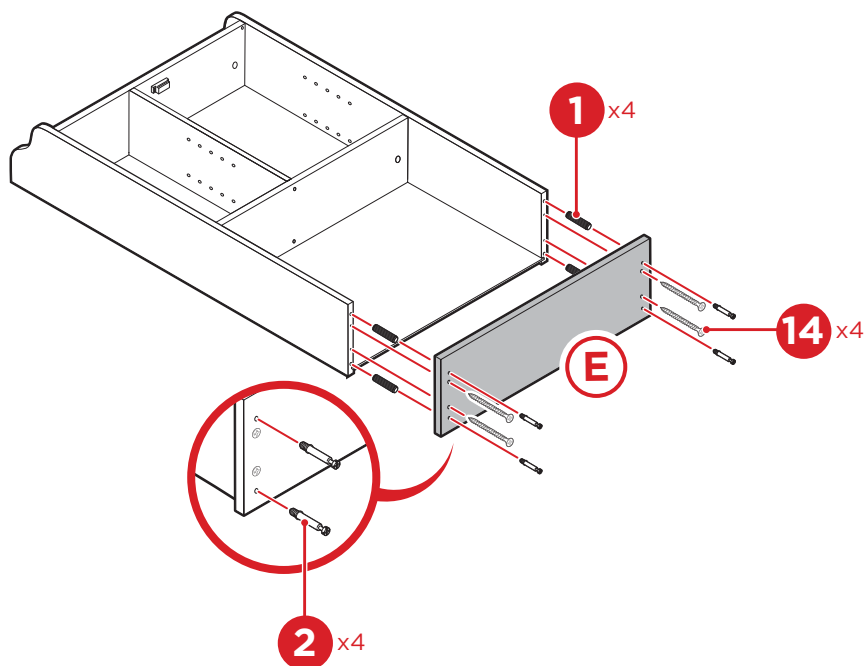
Slide in part P back panel.



PRODUCT ASSEMBLY

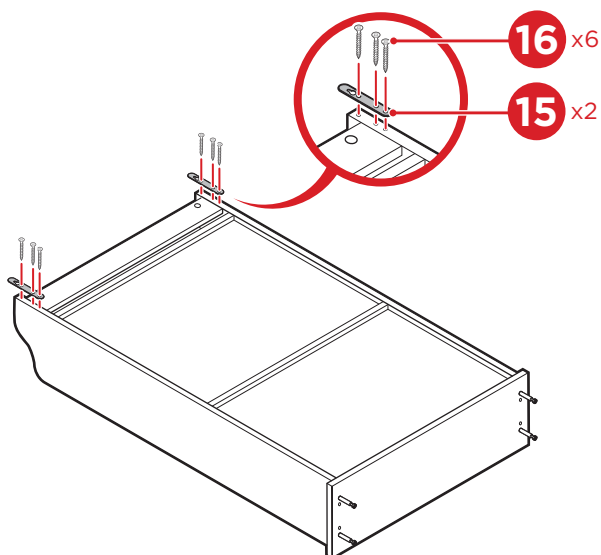
13

Attach the part E bottom panel with four part 1 dowels and four part 14 screws. Screw in four part 2 cam bolts.



14

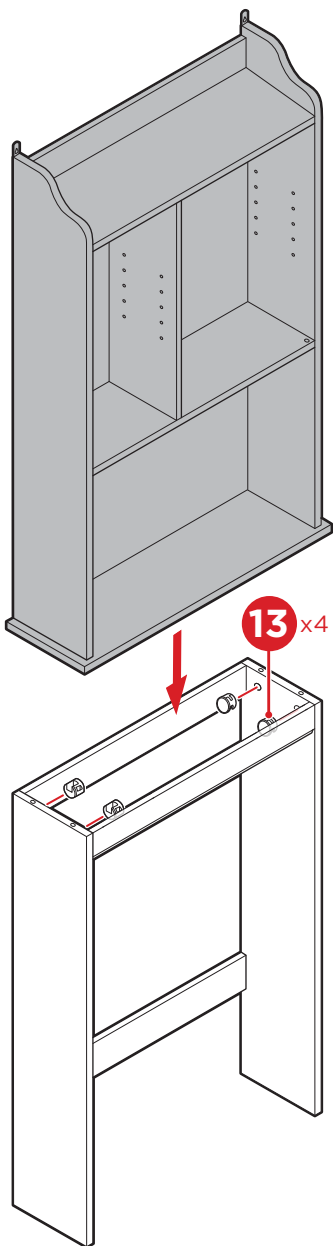
Attach two part 15 brackets with six part 16 screws.



PRODUCT ASSEMBLY

15

Attach the top assembly to the bottom assembly with four part 13 cam locks.

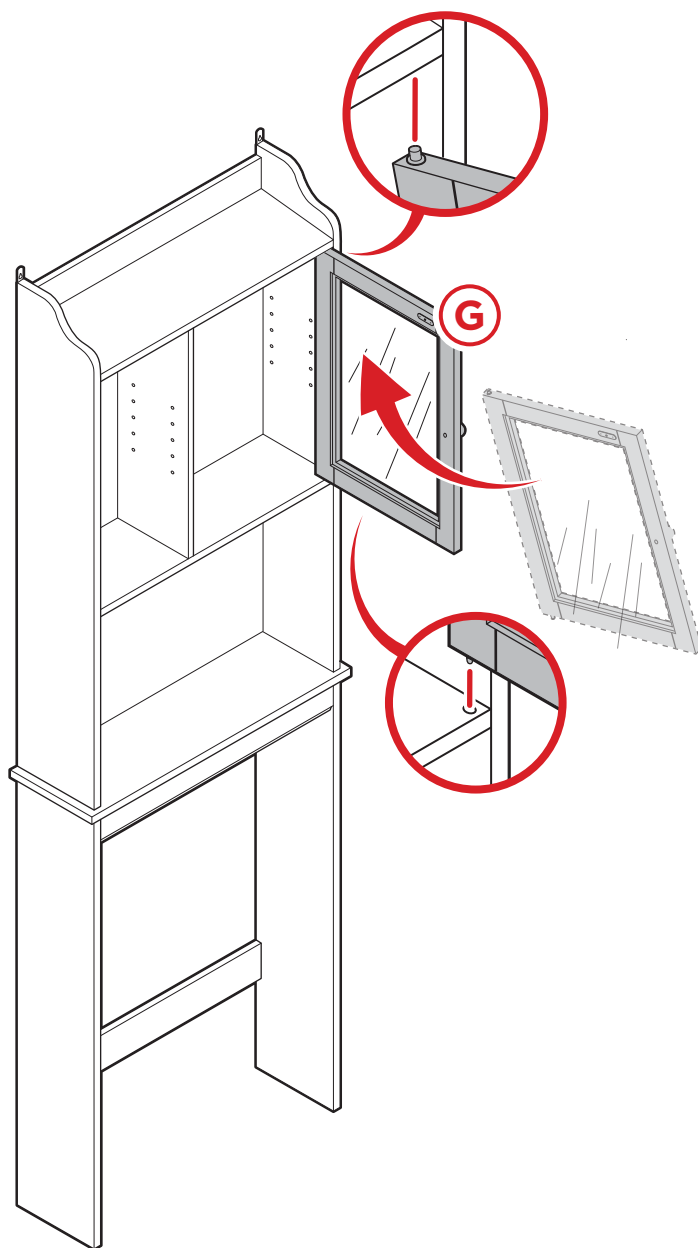


PRODUCT ASSEMBLY

16

Install the part G door by angling the upper/lower hinges into the designated slots.

NOTE: Insert the upper hinge before inserting the lower hinge.

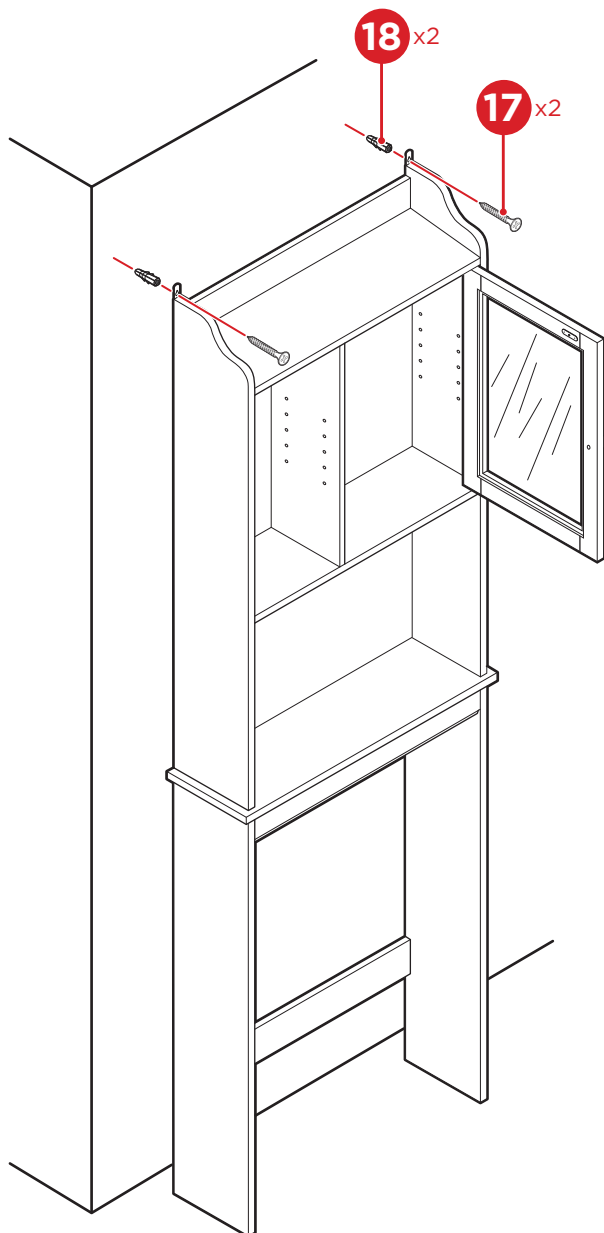


PRODUCT ASSEMBLY

17

Use a pencil and ruler to mark the desired mounting location.

Drill two screw holes and insert two part 18 wall anchors into the holes. Attach the cabinet to the wall with two part 17 screws.

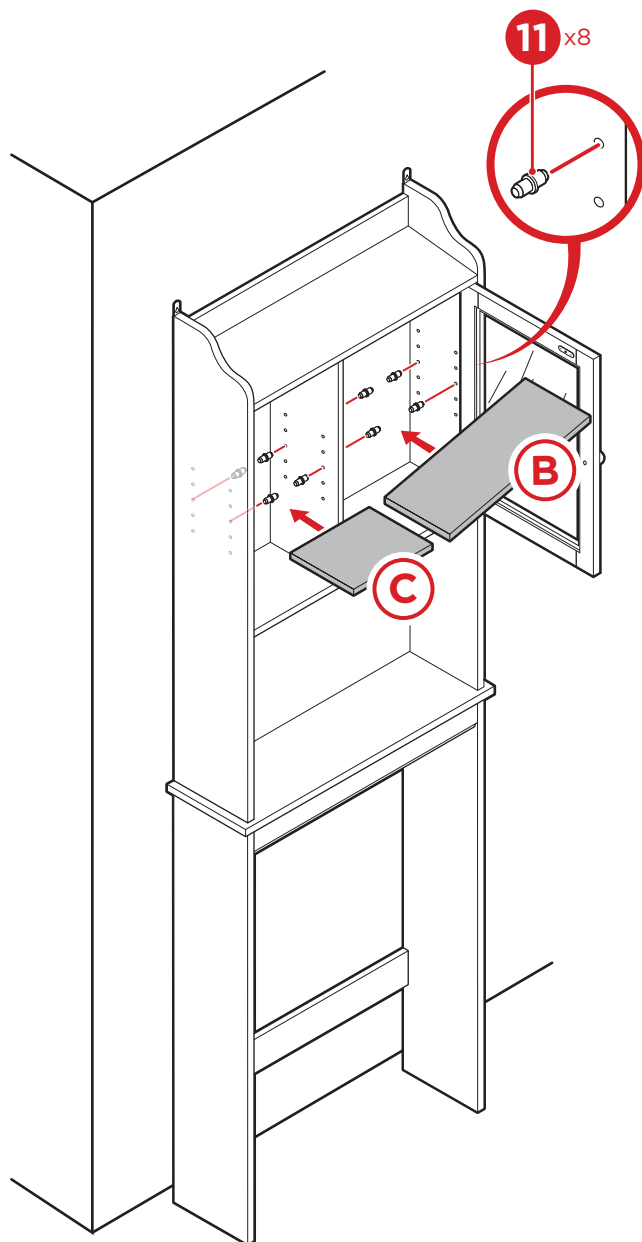


PRODUCT ASSEMBLY

18

Insert eight part 11 shelf pegs. Place the part B and part C middle shelves on the pegs.

NOTE: Insert the shelves at an angle.





HELP CENTER



Question about your product? We're here to help. Visit us at:

help.bestchoiceproducts.com



Product Assembly



Returns & Refunds

PRODUCT WARRANTY INFORMATION

All items can be returned for any reason within 60 days of the receipt and will receive a full refund as long as the item is returned in its original product packaging and all accessories from its original shipment are included. All returned items will receive a full refund back to the original payment method. All returned items will not be charged a re-stocking fee.

All returned items require an RA (Return Authorization) number, which can only be provided by a Best Choice Products Customer Service Representative when the return request is submitted. Items received without an RA may not be accepted or may increase your return processing time. Once an item has been received by Best Choice Products, refunds or replacements will be processed within 5 business days.

All returns must be shipped back to the Best Choice Products Return Center at the customer's expense. If the reason for return is a result of an error by Best Choice Products then Best Choice Products will provide a pre-paid shipping label via email. Boxes for return shipping will not be provided by Best Choice Products, and is the customer's responsibility to either use the original shipping boxes or purchase new boxes.

Pictures may be required for some returns to ensure an item is not damaged prior to its return. Items returned are not considered undamaged until they are received by Best Choice Products and verified as such. All damages to items are the customer's responsibility until the item has been received by and acknowledge by Best Choice Products as undamaged.

WARNING

Manufacturer and seller expressly disclaim any and all liability for personal injury, property damage or loss, whether direct, indirect, or incidental, resulting from the incorrect attachment, improper use, inadequate maintenance, or neglect of this product.