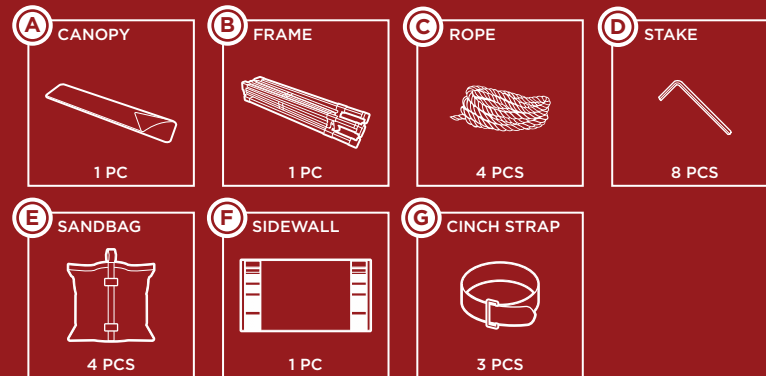


10x10ft Deluxe One Button Pop-Up Canopy With Sidewall

SKY7908 + SKY7909 + SKY7910 + SKY7911 + SKY7912 + SKY7913 + SKY7914
SKY7915 + SKY7916 + SKY7917 + SKY7918 + SKY7919 + SKY7920 + SKY7921
SKY7922 + SKY7923 + SKY7924 + SKY7925 + SKY7926 + SKY7927 + SKY7928
SKY9659 + SKY9660 + SKY9661 + SKY9662 + SKY9663 + SKY9664 + SKY9665
SKY9666 + SKY9667

Ver. 2

PARTS



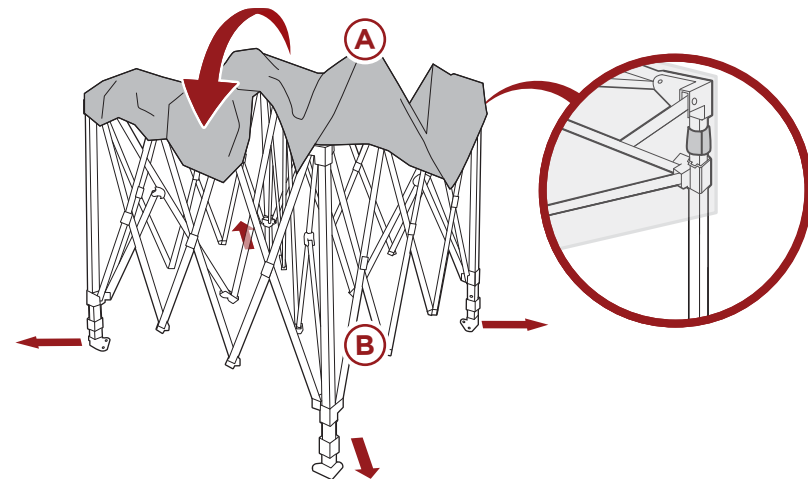
WARNING

- Be careful not to pinch hands or appendages during assembly.
- It is recommended that you use the ropes and stakes to secure the canopy.
- Canopy should not be left up in the rain. This product is not intended to withstand constant rain or inclement weather.
- This product is not intended to withstand periods of extreme/high wind or inclement weather.
- When not in use, this product should remain closed and stored away to avoid potential damage.
- This product is intended for residential use only.

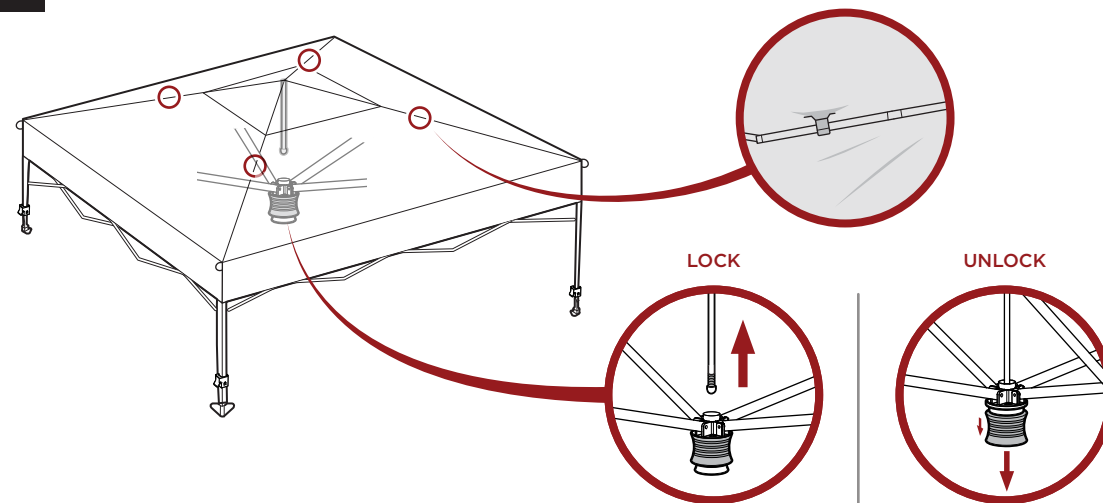
PRODUCT ASSEMBLY

1 PERSON ASSEMBLY | UP TO 10 MIN. ASSEMBLY

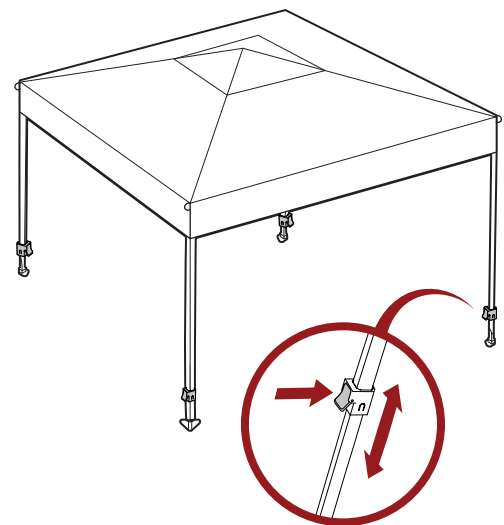
1 Drape **part A canopy** over **part B frame**.
Make sure to secure the corners with the attached adhesive strips.



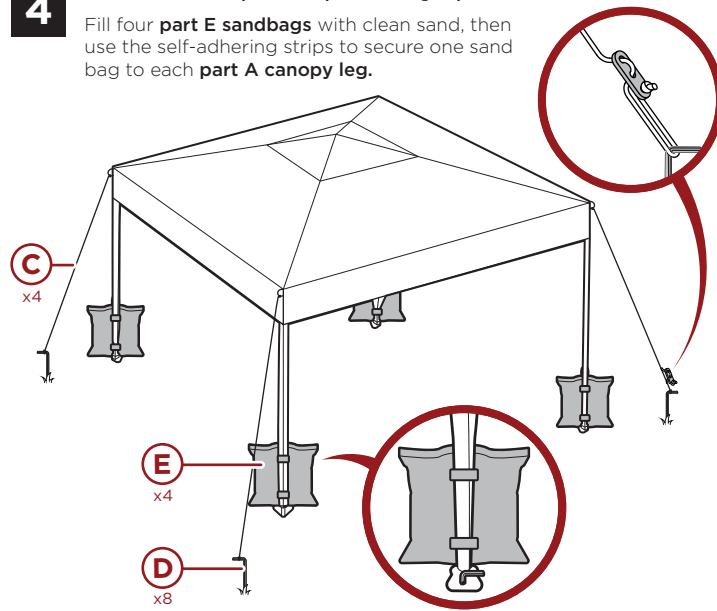
2 Push the middle button into the pole until it locks. Secure the canopy with the attached adhesive strips.



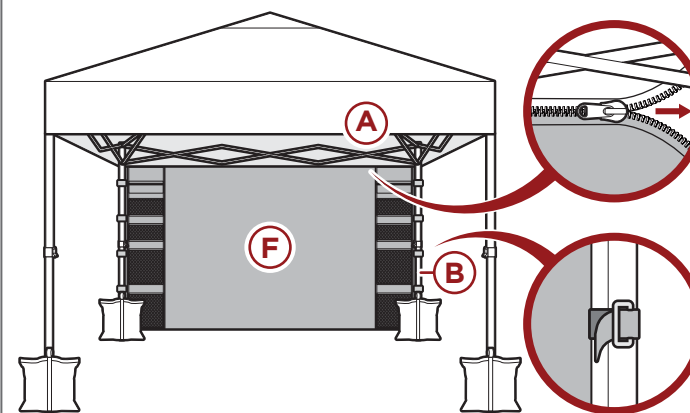
3 Push the tabs on the legs and extend to your desired height.



4 Secure with four **part C ropes** and eight **part D stakes**.
Fill four **part E sandbags** with clean sand, then use the self-adhering strips to secure one sand bag to each **part A canopy leg**.

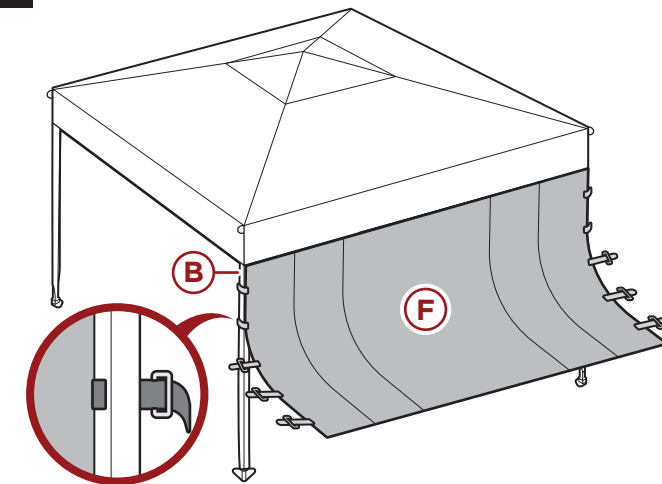


5 Attach the **part F sidewall** to the **part A canopy** with the attached zipper. Then secure the sides of the wall to the **part B frame** with the self-adhering strips.

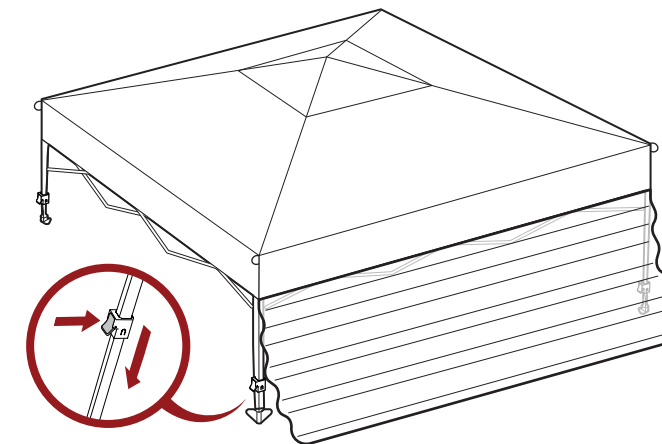


STORAGE

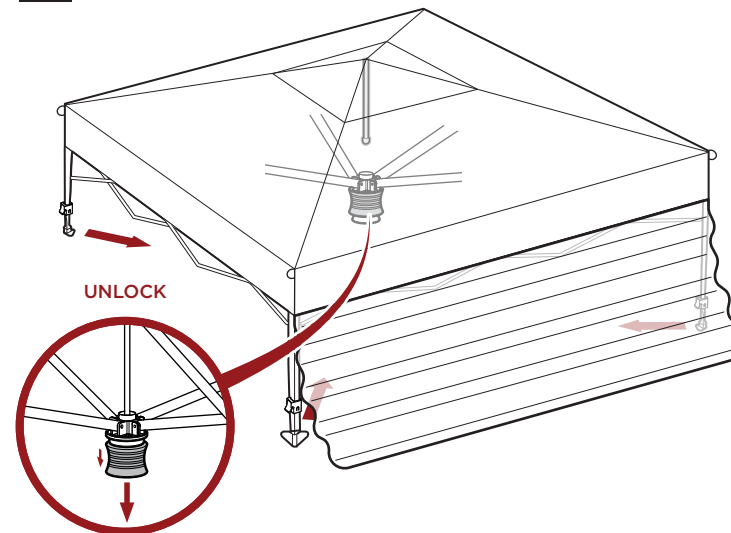
1 Undo all the Velcro strips attaching the **part F side wall** to the **part B frame**.



2 Press the button on each leg to adjust them to their lowest setting.



3 Lower the red sleeve on the central button to release the lock. Pull down the central button mechanism and collapse the frame. Push the legs together.



4 Use three **part G cinch straps** to compact the frame. Place the compacted assembly into its wheeled carrying case.

