

EAST LINEAR

TANK LEVER

2-111H

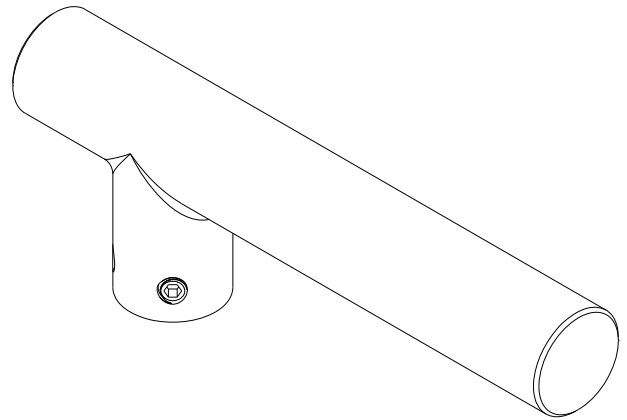
Features

- Solid brass construction
- Traditional styling
- Lever handle design
- Front or side mount installation
- Requires a 5/8" x 5/8" (1.58 cm) square hole for installation (standard toilet tank hole size)
- Intended for use with 6-505 Tank Lever Mechanism (Required Accessory)
- Complements East Linear product series

Codes / Standards Compliance

Meets or exceeds the following at date of manufacture:

All applicable US Federal and State material regulations

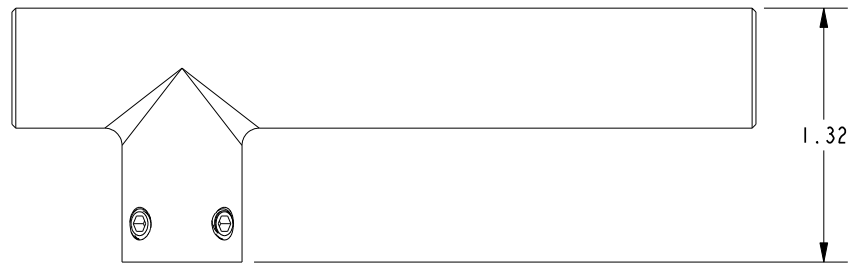
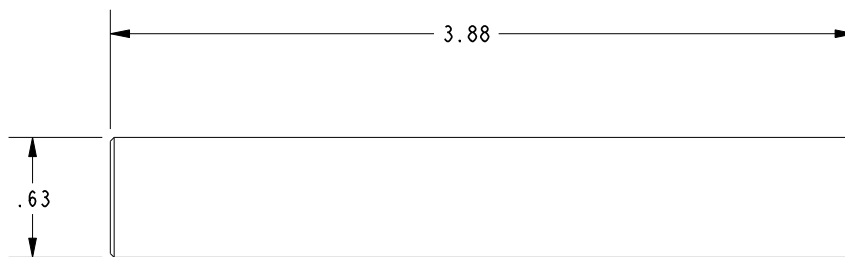


Required Accessory:	
Description	Tank Lever Mechanism
Part Number	6-505
Image	A line drawing of the Tank Lever Mechanism 6-505. It is a complex assembly with a threaded end on the left, a curved lever arm in the middle, and a long, thin rod extending to the right. The rod has several small circular details along its length.

2-111H

PRODUCT DIMENSIONS *(Units are in inches)*

Product Dimensions are provided for reference only. For specific product installation guidelines, please reference the Installation Instructions of the product being installed.



TANK LEVER MECHANISM

2-111H

Page 2 of 2
EN- 5035
REV A

NEWPORT BRASS
Flawless Beauty. From Faucet to Finish.

t: 949.417.5207 | www.newportbrass.com
©2025 NewportBrass