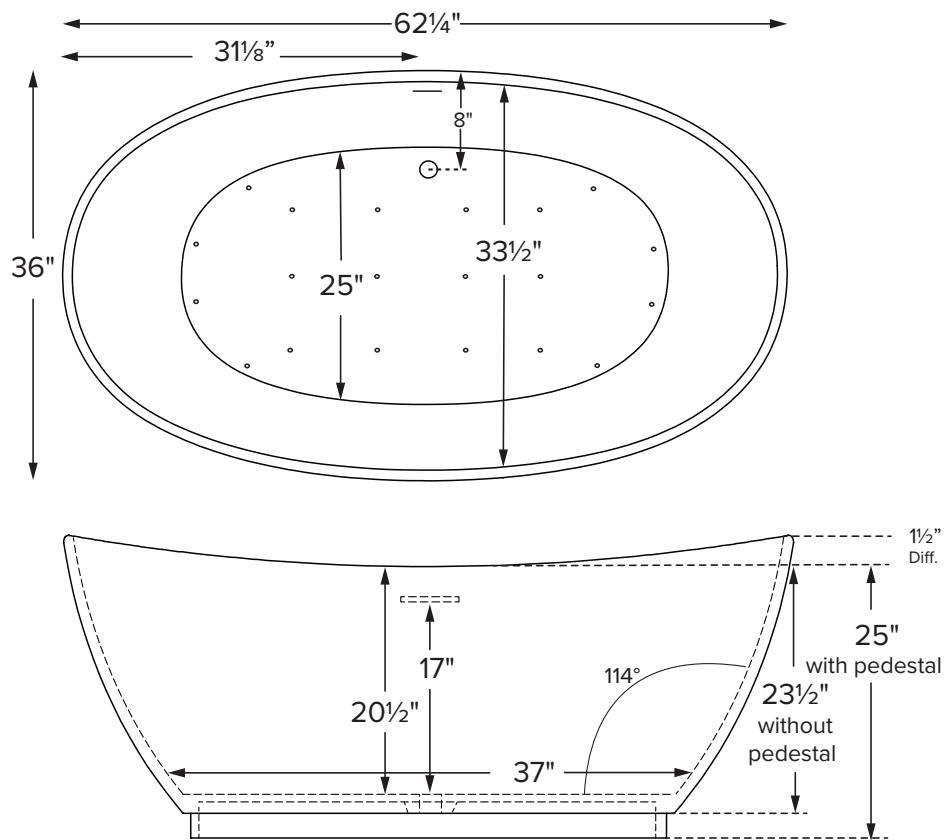




Shown above as soaking bath without pedestal

Elise with Optional Integral Pedestal

MODEL 248
62.25" x 36" x 23.5"/25"
FREESTANDING 86 gal to overflow
<b>SculptureStone®</b>
235 lbs / 107 kg soaker 265 lbs / 120 kg airbath
Filling this tub to the maximum may require an above average size or dedicated water heater.



**Note:**  
Pedestal base increases the overall height of the tub and comes standard on this model as an air bath.

ELECTRICAL COMPONENTS & SPECIFICATIONS		
Required Electrical Service - 110 Volt		
Hydrotherapy Package	Components Included	GFCI
Air Massage	heated blower	1-15 amp

Electrical requirements may change with the addition of optional therapy components. See specific option details or installation information.  
CSA Certified C/US; ANSI Z124.1 and ANSI 112.19.7 and ANSI 112.19.7

See the Installation & Operation Manual for more details.  
MTI's Customer Service: Monday-Friday 8am-6pm EST  
800-783-8827 or service@mtibaths.com

**IMPORTANT ORDERING & INSTALLATION INFORMATION**

- Before ordering or installing, please consider future access to equipment.
- Includes an integrated overflow with toe tap drain in chrome finish. May be specified without an overflow (see local codes before ordering without an overflow).
- Air baths require job site preparation for remote installation of the blower and required check valve. Check valve must be installed higher than the rim of the tub.
- Waterproof remote control included with air bath. Keypad shipped loose may be remote mounted on nearby surface/wall.
- Faucet valves cannot be mounted on this tub model.

- Before discarding tub crate, check for accessories that may be packaged inside.
- All product measurements are ±1/2".
- Specifications and configurations are subject to change without notice.
- Measurements herein supersede all others published prior to publication date below.

For more information on options and accessories go to SculptureStone® Tubs Options on mtibaths.com

**Elise**  
with Optional Integral Pedestal  
MODEL #: 248  
62.25" x 36" x 23.5"/25"

- Blower & required check valve for airbath must be remote mounted.
- Check valve must be installed higher than the rim of the tub.
- See the Installation & Operation Manual for more details.

Hydrotherapy	Package Contents	Part #	Bottom	Finish	MSRP
<b>Soaker</b>	Soaking bath- no jets. Includes integrated slotted overflow with a toe-tap drain kit. • With or without integral inset pedestal base	<b>S248A</b>	no pedestal	soft matte	<b>\$8,880</b>
		<b>S248AGL</b>	no pedestal	hand-polished gloss	<b>\$10,055</b>
		<b>S248B</b>	with pedestal	soft matte	<b>\$8,880</b>
		<b>S248BGL</b>	with pedestal	hand-polished gloss	<b>\$10,055</b>
<b>Air Bath</b>	20 air jets, heated air blower, keypad, waterproof remote control. Includes an integrated slotted overflow with a toe-tap drain kit. • With integral inset pedestal base	<b>AST248</b>	with pedestal	soft matte	<b>\$14,415</b>
		<b>AST248GL</b>	with pedestal	hand-polished gloss	<b>\$15,595</b>

**Options** *Must be ordered at time of purchase*

**Quick Ship** (QSPRI2) **\$1,110** reduces lead time  
*Please call for availability*

**Standard Color** White  
**Biscuit Color Upgrade** (SSBI) **\$320**  
*Additional material colors available for projects only. Please call MTI.*

**Accessories**

**Teak Bath Mat** (TKMAT3018) **\$880** Measures 30" x 17.5" x 1"  
*Custom sizes also available. Contact MTI for details.*

**SculptureStone® Tub Tray**  
No Stemware Holder (SSTRAY1) **\$370** matte (SSTRAY1GL) gloss **\$370**  
With Stemware Holder (SSTRAY2) **\$490** matte (SSTRAY2GL) gloss **\$490**  
*Order with tub for best color match*

**Teak Tub Tray**  
Slatted (TK-TRAY1) **\$540** Solid (TK-TRAY2) **\$615**  
*Order with tub for best fit*

**SculptureStone® Tub Accessories**  
Packaging / Handling Fee Applies

**SculptureStone® Bathroom Table** (TABLE) **\$895** matte finish  
(TABLEGL) **\$1,360** gloss finish  
*Order with tub for best color match*

**SculptureStone® Standard Faucet Stand**

Small - 3-hole capacity <b>14¼" w x 20½" h</b>	Large - 5-hole capacity <b>22" w x 21½" h</b>
Matte (STAND) <b>\$780</b>	Matte (STANDL) <b>\$925</b>
Gloss (STANDGL) <b>\$1,250</b>	Gloss (STANDLGL) <b>\$1,390</b>

**SculptureStone® Premium Faucet Stand**

<b>15" w x 39" h</b>	<b>10" w x 39" h</b>
Matte (SSFSR3915MT) <b>\$2,555</b>	Matte (SSFSR3910MT) <b>\$2,310</b>
Gloss (SSFSR3915GL) <b>\$2,940</b>	Gloss (SSFSR3910GL) <b>\$2,730</b>
<b>20" w x 23" h</b>	<b>15" w x 23" h</b>
Matte (SSFSR2320MT) <b>\$2,090</b>	Matte (SSFSR2315MT) <b>\$1,975</b>
Gloss (SSFSR2320GL) <b>\$2,505</b>	Gloss (SSFSR2315GL) <b>\$2,355</b>

**SculptureStone® Premium Component Stand**

20" l x 22.5" h

Matte (SSPX1MT) **\$2,165**  
Gloss (SSPX1GL) **\$2,855**

*Compatible with select tub models.  
Go to www.mtibaths.com*

**Drains & Overflow Kits** *Must be ordered at time of purchase*

**Toe Tap Drain Cover Finishes**  
PVC drain - Chrome included

**+\$55** upcharge Br. Nickel (WIOBN), Pol. Nickel (WIOPN)  
**+\$95** upcharge Matte Black (WIOBM)  
**+\$115** upcharge Oil-Rubbed Bronze\* (WIOOR)  
**+\$695** upcharge Special Finish\* (WIOSF)  
*Send finish sample to MTI Baths for best match.*

**Toe Tap SculptureStone® Drain Cover Finishes**  
Upgrade is in lieu of standard chrome to tap drain cover.  
White only

**+\$100** upcharge Matte Finish (SSWIOMT)  
**+\$120** upcharge Gloss Finish (SSWIOGL)

**Brass Tailpiece** (WIOBS) **\$95** in addition to finish charge listed above  
**Quick Drain Kit** (WOQ) **\$510**

\* MTI has selected an oil-rubbed bronze finish that is compatible with Delta and many other manufacturers. To ensure best match, order as a Special Finish and submit a sample.  
CSA # MTCT-248  
©2025 by MTI Baths, Inc. Modification Rights Reserved

\* Allow 2-4 weeks lead time for Special Finishes.  
Send sample for best match.

