

Features

- 24" (610 mm) minimum base cabinet width
- Rectangular basin with a contemporary design
- Single bowl
- Rounded 3/8" (10 mm) corners are easy to clean
- 8-1/8" (206 mm) depth
- No faucet hole drilling
- Rear drain increases workspace in the sink and allows for more storage space underneath the sink
- Box includes: Sink, sink rack, installation hardware, cutout template
- SilentShield® sound-absorption technology offers quieter performance
- Sink strainer sold separately

Material

- Premium 16-gauge stainless steel
- KOHLER stainless steel sinks resist corrosion and tarnishing

Installation

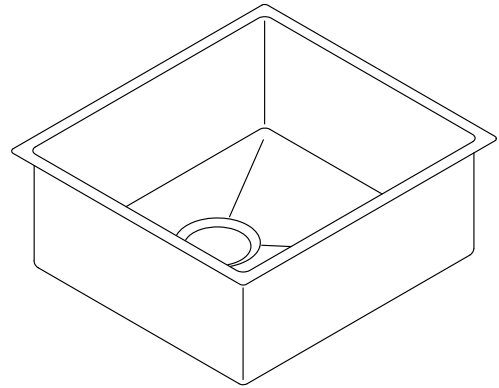
- Undermount
- Installation hardware included

Optional Products/Accessories

- K-8801 Sink drain and strainer with tailpiece
- K-23729 Stainless steel cleaner
- K-35491 Marble serving tray

Included Components

- K-6646 Left-Bowl Sink Rack



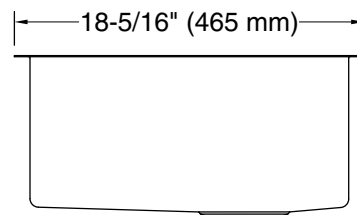
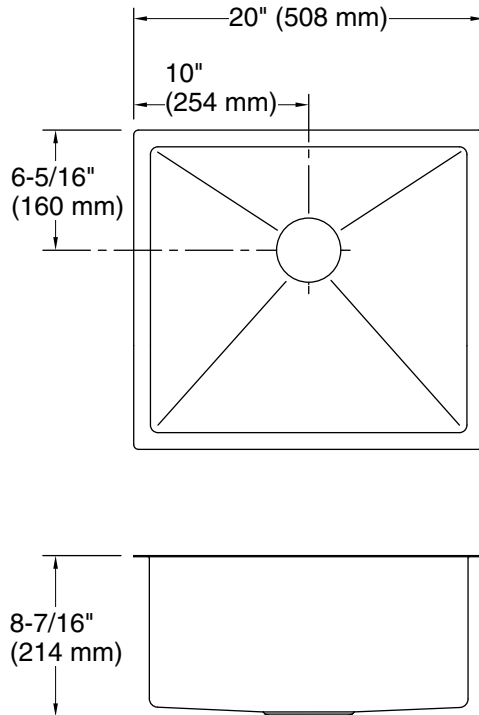
ADA

Codes/Standards

ASME A112.19.3/CSA B45.4
ADA
ICC/ANSI A117.1

KOHLER® Stainless Steel Sinks Lifetime Limited Warranty

See website for detailed warranty information.



Technical Information

All product dimensions are nominal.

Basin configuration: Single Bowl

Min. base cabinet width: 24" (610 mm)

Bowl area (Basin #1):
 Length: 18-1/4" (464 mm)
 Width: 16-9/16" (420 mm)
 Bowl depth: 8-1/8" (206 mm)
 Water depth: 8-1/8" (206 mm)

Drain hole: 3-3/4" (94 mm)

Template: Undermount, 1533253-7, required, included

Notes

Install this product according to the installation instructions.

NOTICE: Countertop manufacturer or cutter must use the cut-out template provided with the product, or a current one provided by Kohler Co. (call 1-800-4KOHLER). Kohler Co. is not responsible for cutout errors when the incorrect cut-out template is used.

ADA compliant when installed to the specific requirements of these regulations.