

ASSEMBLY INSTRUCTION

DINING CHAIR

A Chair Seat



1 PC

B Left Leg



1 PC

C Right Leg



1 PC

D Bolt
1/4 " * 5/8 "



2 PCS

E Bolt
1/4 " * 3/4 "



8 PCS

F Spring Washer
1/4 "



8 PCS

G Flat Washer
1/4 "

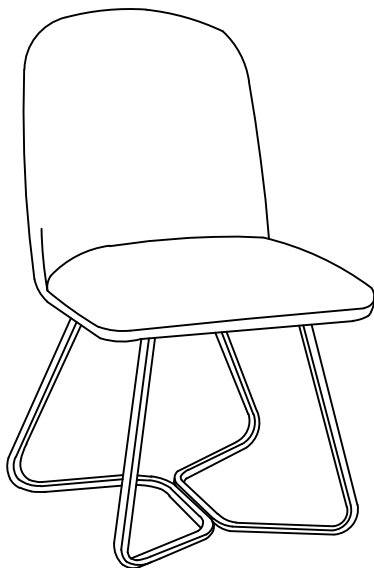


8 PCS

H Allen Key
M4

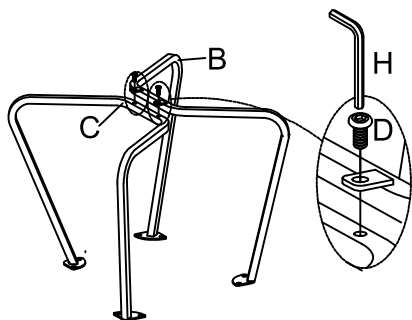


1 PC

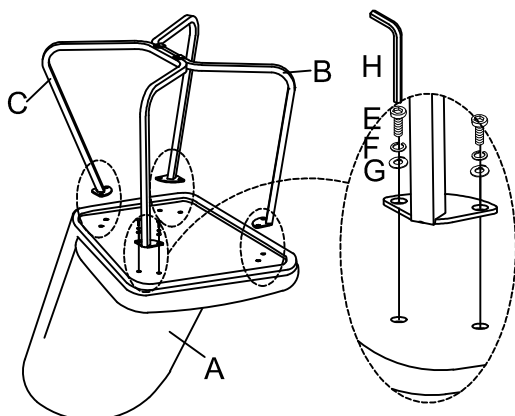


This page lists all the contents included in the box. Please take the time to identify the hardware as well as the individual components to this product. As you unpack and prepare for assembly, place the contents on a carpeted or padded area to protect them from damage.

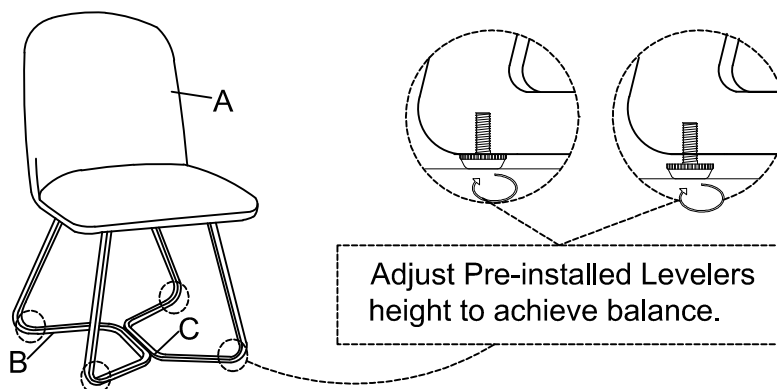
- 1** Use Bolt (D) with Allen Key (H) to fix Left Leg (B) and Right Leg (C) as shown in the figure.



- 2** Attach base to bottom of Chair Seat (A) using Bolt (E), Spring Washer (F) and Flat Washer (G) with Allen Key (H).



- 3** With assistance from your adult partners, turn the Dining Chair right way up. Adjust the Pre-installed Levelers on the bottom of Left Leg (B) and Right Leg (C) until the Dining Chair is level with the ground.



Cleaning & Care

Treat surface with care. Surface is resistant to scratches but is not scratch resistant. Clean surfaces with a dry or damp soft cloth. Do not use abrasive cleaners. Hardware may loosen over time. Periodically check that all connections are tight.