



# Tresham® | K-2991-4

21-3/4" rectangular drop-in bathroom sink

## Features

- 4" (102 mm) centerset faucet holes
- Rectangular basin with raised rim
- Overflow drain
- Coordinates with other products in the Tresham collection
- 4" centerset faucet drilling



## Available Colors/Finishes

*Color tiles intended for reference only.*

- 0 White
- KA Black 'n Tan



1-800-4KOHLER (1-800-456-4537)  
Kohler Co. reserves the right to make revisions without notice to product specifications.  
For the most current specification sheet, go to [www.kohler.com](http://www.kohler.com) USA or [www.kohler.ca](http://www.kohler.ca) Canada.  
4-7-2026 19:7 - US-CA

THE BOLD LOOK  
OF **KOHLER**®

## Codes/Standards

ADA compliant when installed to the specific requirements of these regulations.

ADA

ASME A112.19.2/CSA B45.1

ADA

ICC/ANSI A117.1

## Technical Information

Number of Deck Holes:	3
Faucet Hole(s) Size:	1-1/4" (32 mm)
Center(s):	4" (102 mm)
With Overflow:	Yes
Drain Hole Diameter:	1-3/4" (44 mm)
Basin Configuration:	Single Bowl
Basin Length:	19-13/16" (503 mm)
Basin Width:	10-3/16" (259 mm)
Basin Depth:	6-1/2" (165 mm)

## Material

- Vitreous china

## Recommended Products/Accessories

K-23726 Drain treatment

K-23725 Cast iron cleaner

## Warranty

See website for detailed warranty information.

KOHLER® Vitreous China Bathroom Sink Lifetime Limited Warranty

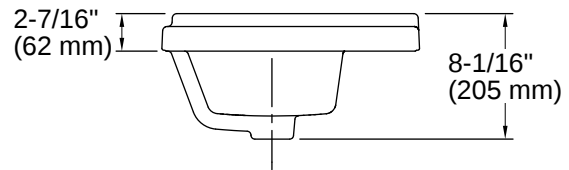
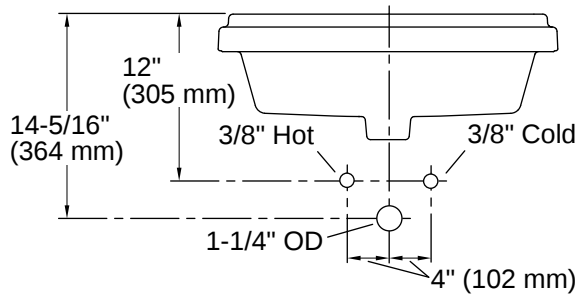
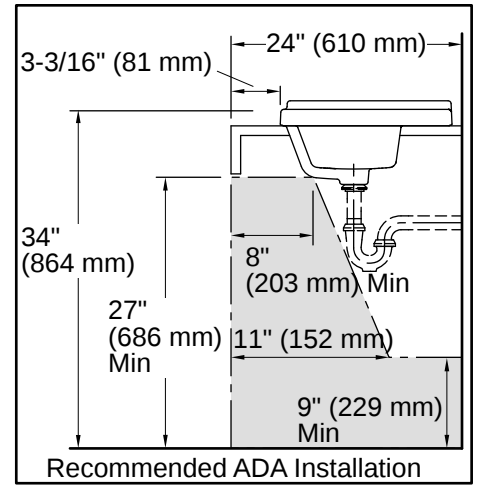
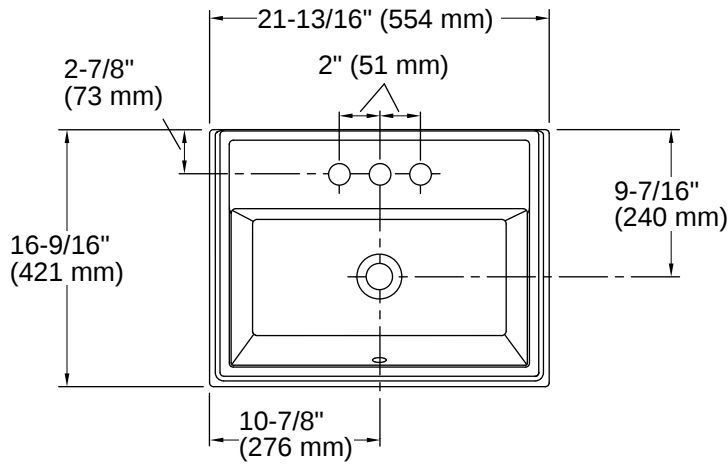


1-800-4KOHLER (1-800-456-4537)

Kohler Co. reserves the right to make revisions without notice to product specifications.

For the most current specification sheet, go to [www.kohler.com](http://www.kohler.com) USA or [www.kohler.ca](http://www.kohler.ca) Canada.

4-7-2026 19:7 - US-CA



## Installation

- Drop-in

## Installation Notes

*Install this product according to the installation instructions.*

NOTICE: Countertop manufacturer or cutter must use the cut-out template provided with the product, or a current one provided by Kohler Co. (call 1-800-4KOHLER). Kohler Co. is not responsible for cutout errors when the incorrect cut-out template is used. Product dimensions are nominal and may vary per ASME A112.19.2 tolerances. ADA compliant when installed to the specific requirements of these regulations.

