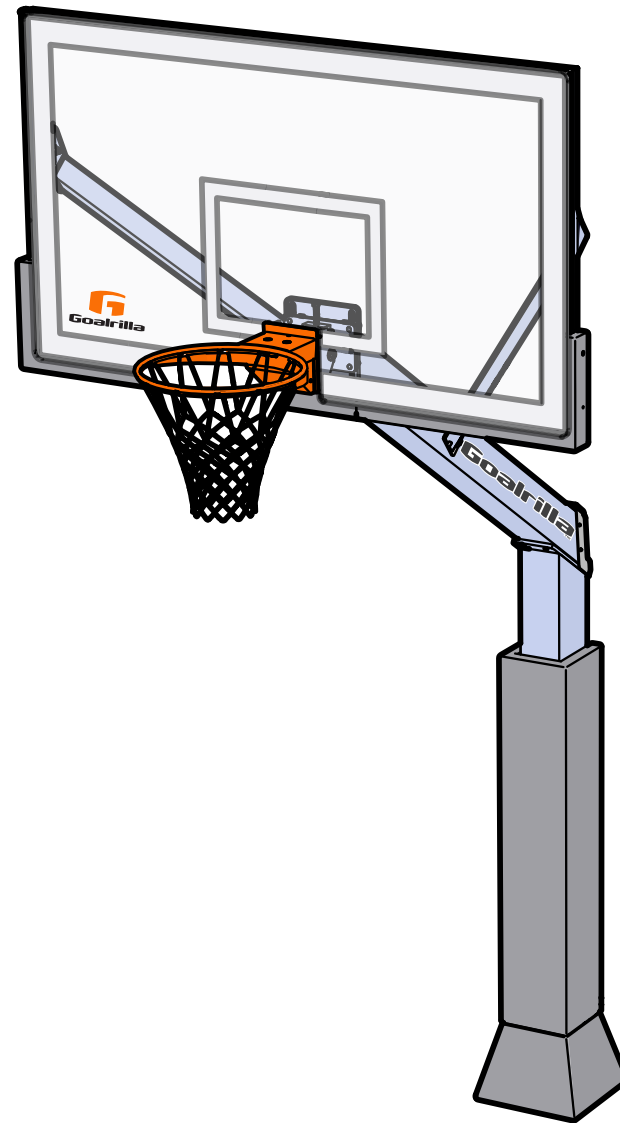


# Goalrilla™

## 72" BACKBOARD, FIXED HEIGHT BASKETBALL SYSTEM

MODEL NO.  
**B4800AF**  
&  
**B4850AF**

**FOR PROFESSIONAL INSTALLATION ONLY!**



**Please Do Not Return This  
Product to the Store!**

Contact MICCA Group customer service department at:  
Phone: 1-800-551-443  
E-mail: [information@goalrilla.com.au](mailto:information@goalrilla.com.au)

**ESCALADE®**  
SPORTS

2L-8039-00

2023 Escalade® Sports

## PRE-ASSEMBLY TIPS

1. **Read this manual carefully before starting assembly.** Read each step completely before beginning each step.
2. **Some smaller parts may be shipped inside larger parts. Check inside all parts and cartons before assembling or ordering parts.**
3. **To make assembly easier, use the Parts List and Hardware Identifier on pages 5, 6, 7, & 8 to identify and sort all components. Check all cartons for kits. All hardware may not be located in one kit.**
4. **Your basketball hoop includes stainless steel hardware. Before starting, read the information on page 11 carefully.**
5. **Do not tighten hardware until instructed to do so. If hardware is tightened too soon, mounting holes may not align and parts may not easily fit together. Leave locknuts slightly loose until you are instructed to tighten them.**
6. **An electric screwdriver is helpful in assembly. However, please set at low torque and use caution because you could overtighten the hardware and strip the screws.**
7. **Save these instructions and your proof of purchase (receipt) in the event that the manufacturer has to be contacted for replacement parts.**

**Tools required for assembly:**

- |                                      |                              |
|--------------------------------------|------------------------------|
| 1 - 3/8" Drive Ratchet               | 1 - Phillips Screwdriver     |
| 1 - 15/16" open end wrench           | 1 - Level                    |
| 1 - 15/16" socket and ratchet        | 1 - Tape Measure             |
| 1 - 9/16" Deep Well Socket & Ratchet | 1 - 1/2" Drive Torque Wrench |
| 1 - 3/4" Socket & Ratchet            | min 75ft/lbs                 |
| 1 - 3/4" Open end Wrench             | 1 - 1/2" Drive Ratchet       |
| 7/32" Hex Key                        | 1 - Needle Nose Pliers       |

**Please Do Not Return This Product To The Store!**

Contact Goalrilla Australia customer service department at:

**Phone:** 1-800-551-443

**E-mail:** [information@goalrilla.com.au](mailto:information@goalrilla.com.au)

Please visit our Website at:  
[www.goalrilla.com.au](http://www.goalrilla.com.au)

**ESCALADE®**  
 S P O R T S

## **WARNING**

**FAILURE TO FOLLOW THESE WARNINGS MAY RESULT IN SERIOUS INJURY AND/OR PROPERTY DAMAGE.**

Owner must ensure that all players know and follow these rules for safe operation of the system.

- Only hang from the rim briefly to regain balance or avoid injuring others. Release the rim as soon as safely possible.
- DO NOT HANG on the rim or any part of system including backboard, support braces or net.
- During play, especially when performing dunk type activities, keep players face away from the backboard, rim, and net. Serious injury could occur if teeth/face encounter backboard, rim, or net.
- Wear a mouthguard when playing to avoid dental injuries.
- Do not slide, climb, or play on pole.
- During Play, do not wear jewelry (rings, watches, necklaces, etc.). Objects may entangle in net or other areas of structure.
- Keep water and organic material away from pole. Pole can rust and fail.
- Once a month check pole and all metal parts for rust. Completely remove rust and repaint with exterior enamel. If rust has penetrated any steel part, replace that part immediately.
- Check system before each use for loose hardware, signs of rust and instability. Repair before each use. Never play on damaged equipment.
- Do not use this system to lift or hoist anything. The mechanism is designed to lift only the weight of the backboard and rim. Do not hang anything from the handle, rim, backboard, or lifter arms as this will damage the system and void the warranty.
- Refer to product manual for assembly instructions.

4L-8916-00

[www.Goalrilla.com](http://www.Goalrilla.com) 1-888-USA-GOAL

## **SAFETY INSTRUCTIONS**

**FAILURE TO FOLLOW THESE SAFETY INSTRUCTIONS MAY RESULT IN SERIOUS INJURY, PROPERTY DAMAGE AND WILL VOID WARRANTY.**

**Owner must ensure that all players know and follow these rules for safe operation of the system.**

**To ensure safety, do not attempt to assemble this system without following the instructions carefully. Proper and complete assembly, use and supervision is essential for proper operation and to reduce the risk of accident or injury. A high probability of serious injury exists if this system is not installed, maintained, and operated properly.**

- If using a ladder during assembly, use extreme caution.
- 4 people are recommended for this operation.
- Backboard installation must be performed by a professional with capable lifting equipment.
- Seat the pole sections properly (if applicable). Failure to do so could allow the pole sections to separate during play.
- Before digging contact utility company to locate underground power cables, gas and water lines. Ensure there are no overhead power lines within 20 ft. (7m) radius of pole location.
- Climate, corrosion or misuse could result in system failure.
- If technical assistance is required, contact our Customer Service department located on the cover page & page 2.

*Most injuries are caused by misuse and/or not following instructions.  
Use caution when using this system.*

## **WARNING**

**FAILURE TO FOLLOW THESE WARNINGS MAY RESULT IN SERIOUS INJURY AND/OR PROPERTY DAMAGE.**

- Only hang from the rim of GROUND BASED SYSTEMS briefly to regain balance or avoid injuring others. Release the rim as soon as possible. **DO NOT DUNK OR HANG ON WALLMOUNT SYSTEMS.**
- During play, do not wear jewelry (rings, watches, necklaces, etc.) Objects may entangle in net or other areas of structure.
- Wear mouth guard during playing to avoid dental injuries.
- Do not allow children to adjust the system.
- See mounting structure for additional warnings.

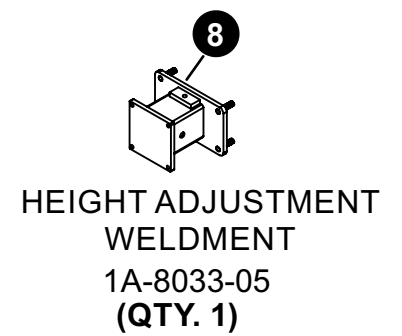
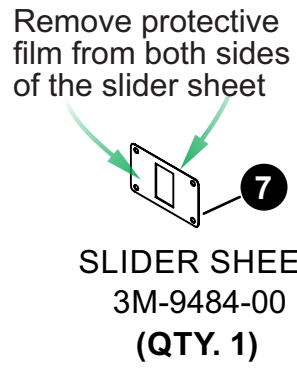
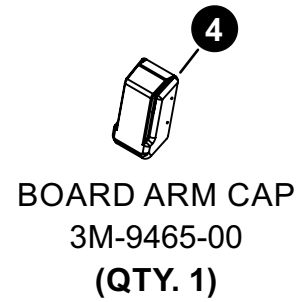
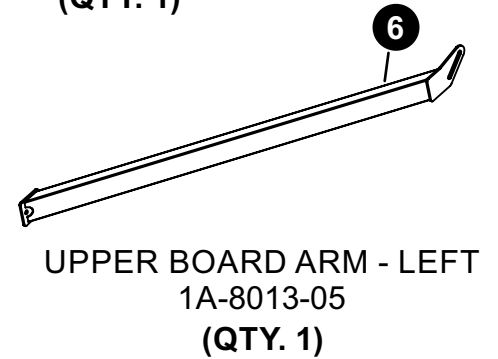
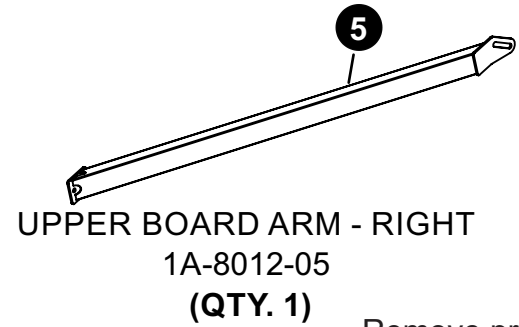
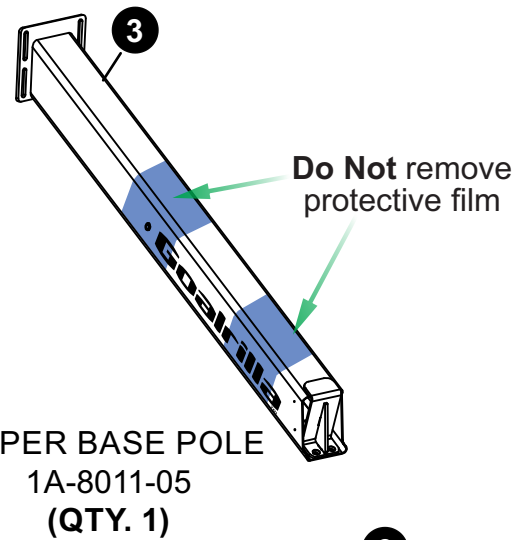
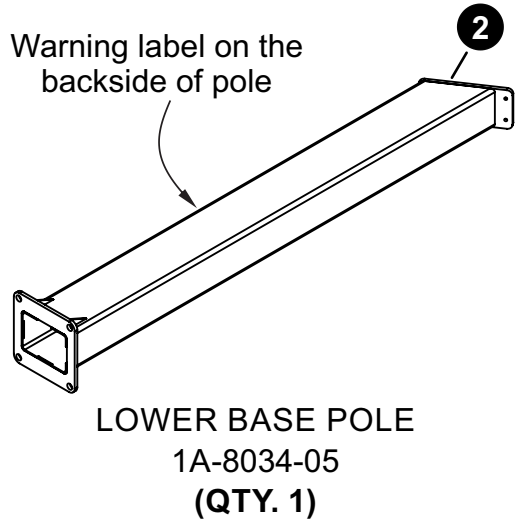
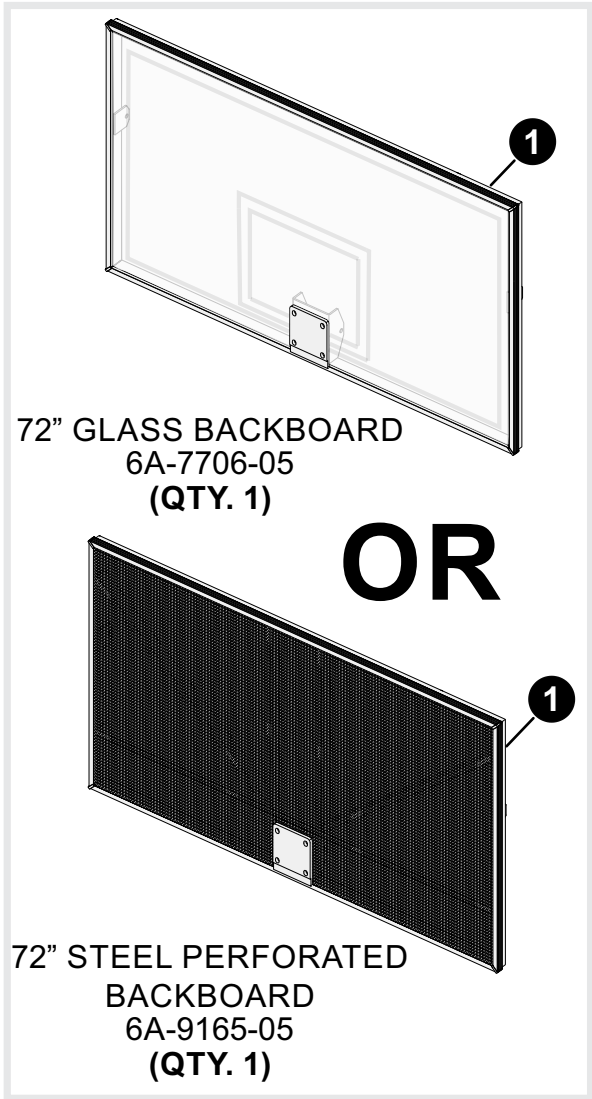
**WARNING: SWINGING ON THE RING MAY CAUSE SERIOUS INJURY OR DEATH**



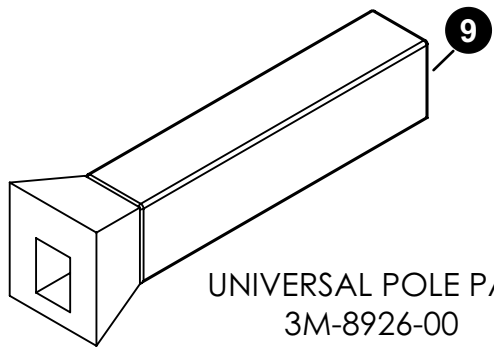
**WARNING: IMPROPER  
INSTALLATION OR SWINGING  
ON THE RING MAY CAUSE  
SERIOUS INJURY OR DEATH**

**PARTS LIST (NOT ACTUAL SIZE)**

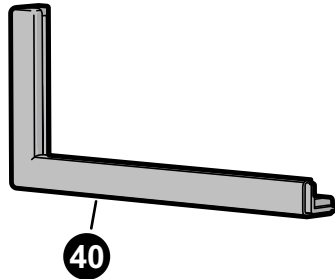
**NOTICE**  
 DO NOT REMOVE THE PROTECTIVE FILM  
 ON THE UPPER BASE POLE UNTIL  
 INSTALLATION IS COMPLETE.



**ACCESSORIES (NOT ACTUAL SIZE)**



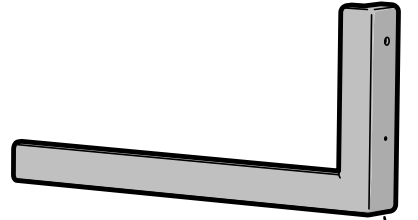
**UNIVERSAL POLE PAD**  
3M-8926-00  
**(QTY. 1)**



**BOARD PAD LEFT**  
3M-8944-00  
**(QTY. 1)**



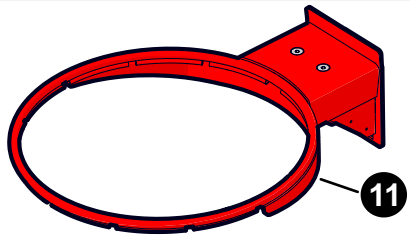
**BOARD PAD CENTER**  
3M-8946-00  
**(QTY. 1)**



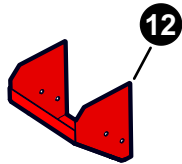
**BOARD PAD RIGHT**  
3M-8943-00  
**(QTY. 1)**

**RIM ASSEMBLY KIT IDENTIFIER**

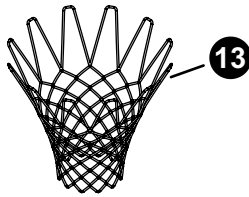
**PARTS LIST (NOT ACTUAL SIZE)**



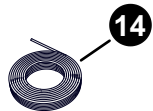
**BREAKAWAY RIM ASSEMBLY**  
6A-7825-00  
**(QTY. 1)**



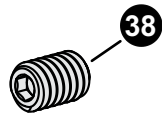
**RIM COVER PLATE**  
2S-9467-00  
**(QTY. 1)**



**NET**  
3F-6010-00  
**(QTY. 1)**

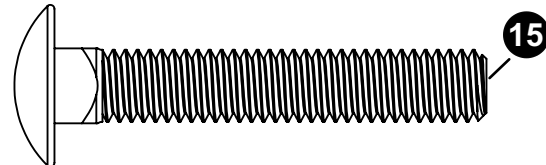


**NET CABLE**  
2M-6915-00  
**(QTY. 1)**

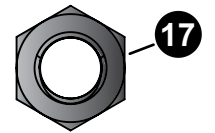


**SET SCREW**  
1B-7266-05  
**(QTY. 2)**

**INCLUDED HARDWARE (ACTUAL SIZE)**



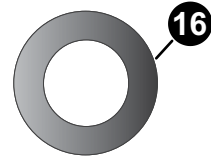
**3/8-16 X 2 1/4" CARRIAGE BOLT**  
1B-7286-05  
**(QTY. 4)**



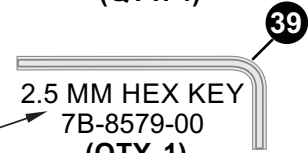
**3/8-16 NYLOCK LOCKNUT**  
2B-6238-05  
**(QTY. 4)**



**#8 X 1/2" THREAD CUTTING SCREW**  
1B-6238-05  
**(QTY. 4)**



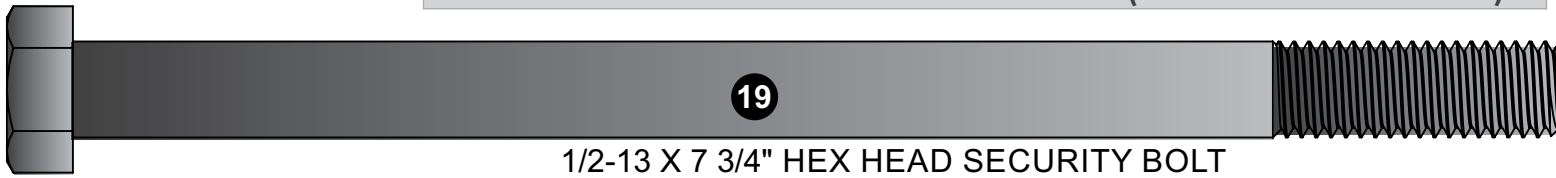
**3/8 X 19MM FLAT WASHER**  
2B-6289-05  
**(QTY. 4)**



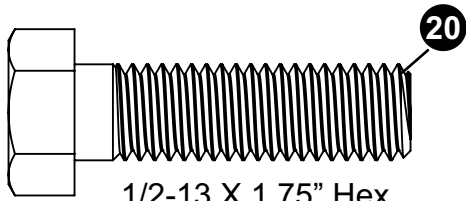
**2.5 MM HEX KEY**  
7B-8579-00  
**(QTY. 1)**

USED TOGETHER

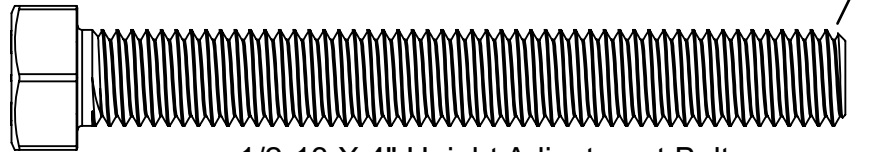
# HARDWARE IDENTIFIER (ACTUAL SIZE)



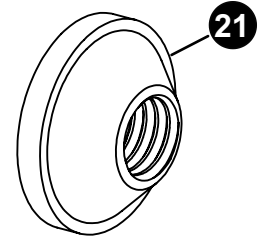
1/2-13 X 7 3/4" HEX HEAD SECURITY BOLT  
1B-7133-05  
(QTY. 2)



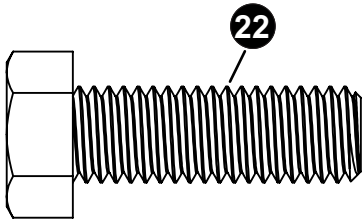
1/2-13 X 1.75" Hex  
Head Bolt GR5  
1B-6944-05  
(QTY. 2)



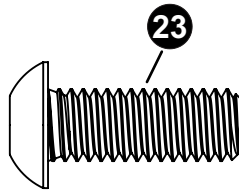
1/2-13 X 4" Height Adjustment Bolt  
1B-7285-05  
(QTY. 1)



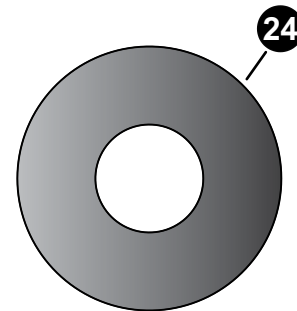
Counter Sunk Threaded  
Washer 1/2"-13  
2S-9526-05  
(QTY. 2)



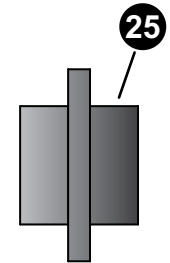
1/2-13 X 1.5 Hex Head Bolt - GR8  
1B-7287-05  
(QTY. 2)  
(For Arm Assembly)



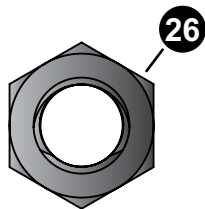
3/8-16 x 1" Button  
Head Screw  
1B-7221-05  
(QTY. 2)



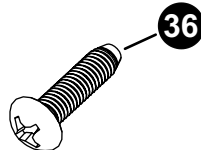
1/2" FLAT WASHER  
2B-6093-05  
(QTY. 12)



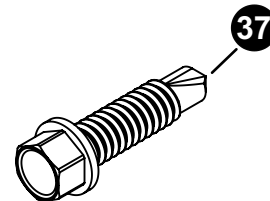
TWO WAY STEP BUSHING  
7B-6439-00  
(QTY. 2)



1/2-13 NYLOCK LOCKNUT  
2B-6095-05  
(QTY. 8)

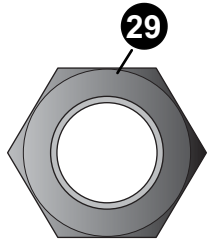


#10-32 x 3/4" THREAD  
CUTTING SCREWS  
1B-7271-05  
(QTY. 4)

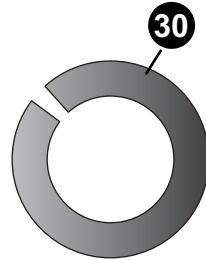


#10 X 1.75 SELF DRILLING /  
SELF TAPPING SCREW  
1B-6969-05  
(QTY. 8)

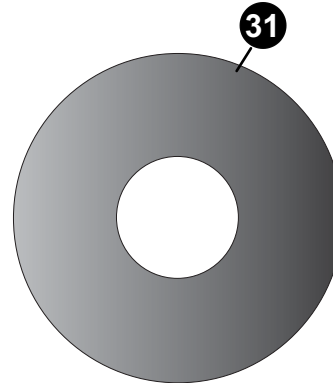
## ANCHOR KIT HARDWARE IDENTIFIER (ACTUAL SIZE)



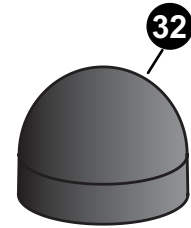
5/8"-11 HEX NUT  
2B-6097-10  
(QTY. 12)



5/8" SPLIT LOCK  
WASHER  
2B-6099-10  
(QTY. 4)



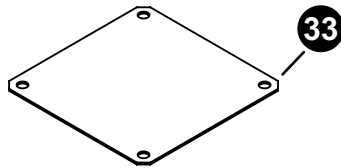
5/8" FLAT WASHER  
2B-6098-05  
(QTY. 8)



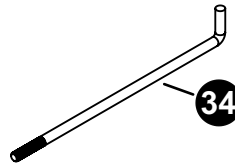
5/8" THREAD  
PROTECTOR  
PLASTIC CAP  
3M-9040-00  
(QTY. 4)

**\*Hardware located in Anchor kit box  
(#29, #30, #31, #32)**

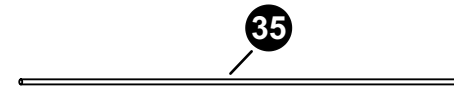
## PARTS LIST (NOT ACTUAL SIZE)



ANCHOR PLATE  
2S-6494-00  
(QTY. 1)



5/8"-11 X 18 "J" BOLT  
2B-6096-03  
(QTY. 4)



#3 X 40" REBAR  
1S-6152-00  
(QTY. 4)

**\*Parts located in Anchor kit box (#33, #34 #35)**



# INSTALLATION TIMELINE

1. Prior to anchor system and goal assembly, call utility services (811) for location of underground utility lines before you dig.
2. Vertical main post assembly is a two part process.

## PART 1

**Day 1.** Complete Anchor System Installation Instructions. (Below)

**Day 2-4.** Allow concrete to cure.

## PART 2

**Day 5.** Complete Goalrilla™ assembly instructions. (Requires four adults)

## ANCHOR SYSTEM INSTALLATION INSTRUCTIONS (Day 1)

**⚠ DANGER ⚡**

**Before digging hole for anchor system, check for buried power, gas, water, and telecommunication lines! Failure to do so could result in serious or fatal injury! Contact your local utility company if unsure.**

### Items needed for Anchor Installation (not included)

- 11 - 80 lb. bags of concrete (2-3 extra recommended)
- 1 - post hole digger (optional)
- 1 - 15/16" open end wrench
- 1 - 15/16" socket and ratchet (optional)
- 1 - concrete form (see note after step 2)
- 1 - wheel barrow
- 1 - garden hose
- 1 - level
- 1 - tape measure

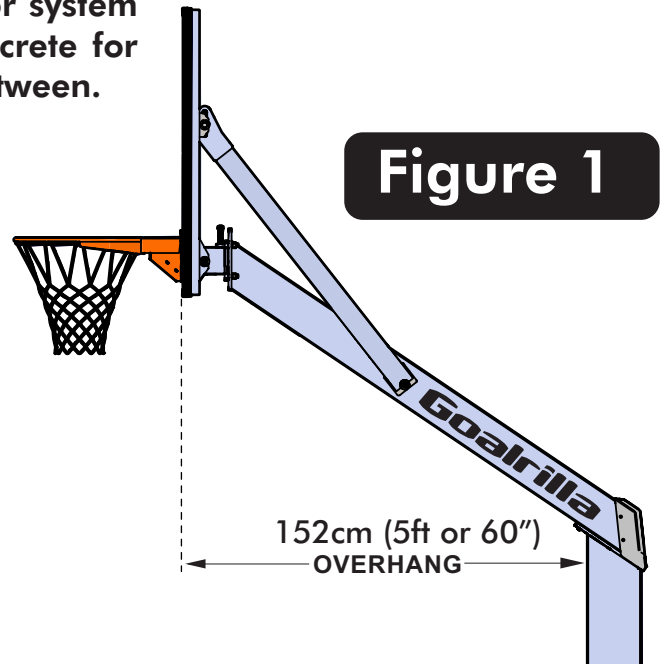
**Note:** For best results with less vibration, anchor system should be independent of court. If pouring concrete for both at same time, add an expansion joint in between.

**Note:** When digging hole, if you hit rock and cannot dig through contact a contractor.

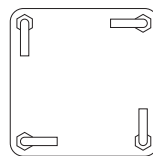
1. Determine the desired location of the backboard over the playing court. From that location, use the overhang distance of 152cm (5ft or 60") to determine the correct location of the anchor system. See **Figure 1**.

2. Assemble anchor system as follows: Thread nuts (#29) to the bottom of threads of 4 J Bolts (#34). Insert threads of J Bolts (#34) up through holes on the anchor plate (#33) and secure with nuts (#29). See **Figure 2**.

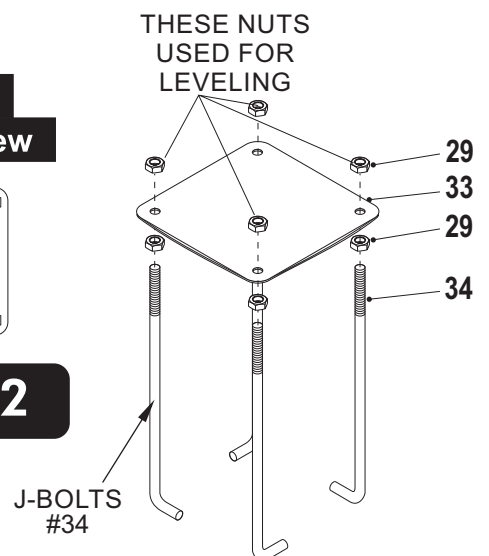
**Note:** Each leg of J Bolts should face the anchor bolt to the right. See **Detail A**.



### Detail A Bottom View



### Figure 2



# ANCHOR SYSTEM INSTALLATION INSTRUCTIONS (Day 1-Cont.)

**NOTE:** Using a concrete form for the top 10cm (4") of the concrete is recommended.

Cardboard forms can be purchased at some hardware and home stores or a wooden form can be constructed out of 2 x 4's.

**NOTE:** Failure to dig and fill the hole as instructed will result in increased system vibration.

**\*Tip:** It is always a good idea to purchase one or two extra bags of concrete, just in case you need them. If extra bags are not used you can return them to the store.

3. Mix and pour concrete into the hole. Follow instructions on the concrete bag. Stop about 46cm (18") below court level.
4. Insert four pieces of Rebar (#35) into concrete 20cm (8") apart, creating a square in the center of the hole.
5. Place the concrete form in the desired location and finish pouring concrete up to and even with the court level.
6. Push anchor system into concrete and agitate to work out voids in concrete. Immediately use a level to level the anchor plate and then square the anchor plate to the playing surface. Clean off any concrete that may be on exposed threads.

## NOTICE

The bottom four nuts will be permanently embedded in concrete, while the top four nuts will remain on the bolts and be used for leveling the pole.

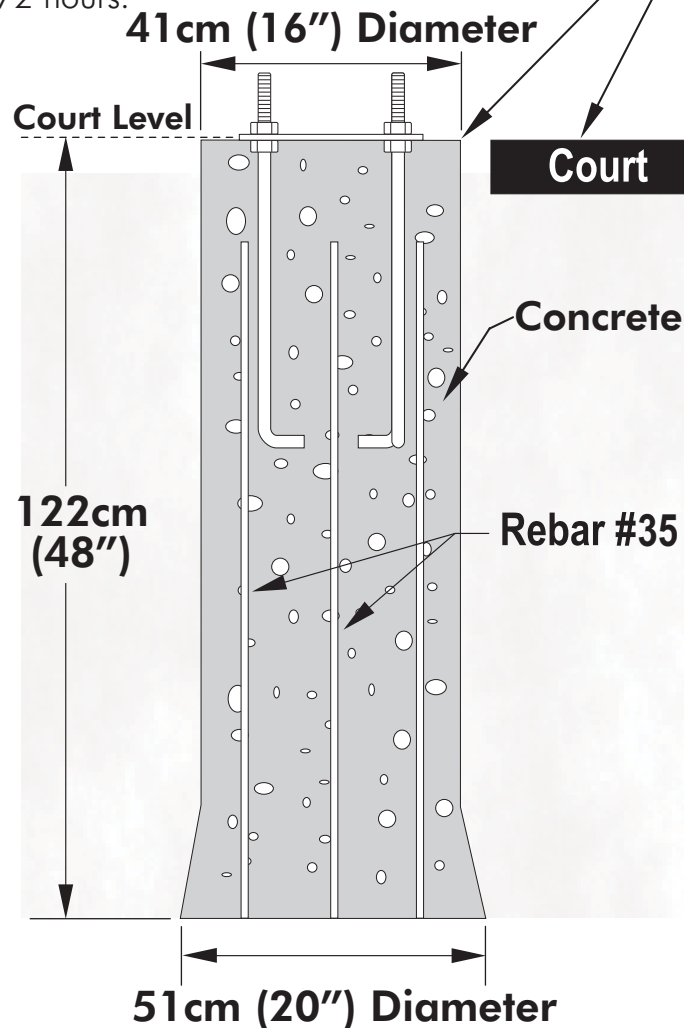
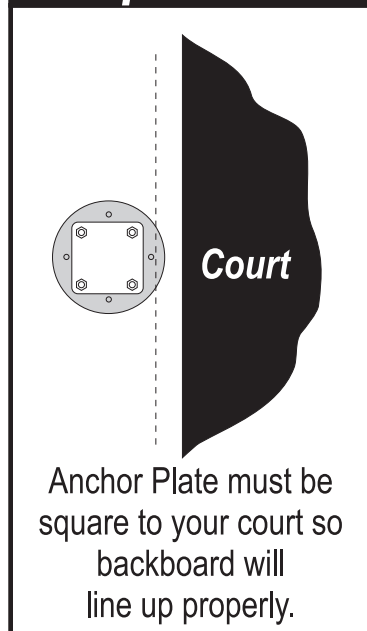
## NOTICE

The top surface of the concrete should be level with the playing surface (Court) to ensure the hoop is at 305cm (10') once the installation is complete.

Let concrete cure for a MINIMUM of 72 hours.

### Figure 3

#### Top View





**IMPORTANT!**  
**READ THIS PAGE BEFORE STARTING**  
**THE ASSEMBLY PROCESS.**

Your basketball hoop includes stainless steel hardware.  
 Before starting, read the information below carefully.

Applicable to Australian models  
 with stainless steel hardware:

**Goalrilla**

**CV/GS SERIES**

B3101AF-1, B3222AF-1,  
 B3333AF-1, B5000AF-1,  
 B5002AF-1, B5003AF-1,  
 B6101AF-1,

**Fixed height Series**  
 B4800AF

**771(TM) Lubricant Nickel Anti-Seize**

**DANGER:** May cause an allergic skin reaction. Suspected of causing cancer. Causes damage to organs through prolonged or repeated exposure.

**PREVENTION:** Obtain special instructions before use. Do not breathe dust/fume/gas/mist/vapours/spray. Wash hands thoroughly after handling. Do not eat, drink or smoke when using this product. Contaminated work clothing should not be allowed out of the workplace. Wear protective gloves/protective clothing/eye protection/face protection.

**FIRST AID: IF ON SKIN:** Wash with plenty of water. IF exposed or concerned: Get medical advice/attention. If skin irritation or rash occurs: Get medical advice/attention. Take off contaminated clothing and wash it before reuse.

**DISPOSAL:** Dispose of contents/container to an appropriate treatment and disposal facility in accordance with applicable laws and regulations, and product characteristics at time of disposal.

**Importer:** PT Henkel Indonesien  
 Jl. Tegal Rotan Raya No. 78, Bintaro - Tangerang Selatan,  
 Banten 15413 - Indonesia.  
 Tel no. +62 21 2758 6900 Fax no. +62 21 7592 4625



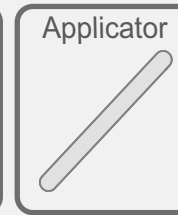
**TOOLS NEEDED**



Ratchet & Sockets

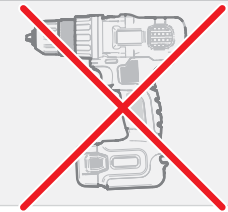


Anti-seize



Applicator

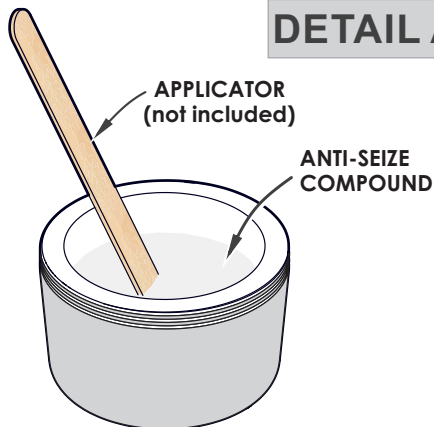
**DO NOT USE**  
**POWER TOOLS!!**



1. Using the applicator (not included) apply anti-seize compound (included) to bolt threads as shown. See **Detail A - Detail C**.
2. When assembling nuts to bolts **tighten slowly!** This will prevent galling (cold welding) between bolt and nut threads. See **Detail C**.

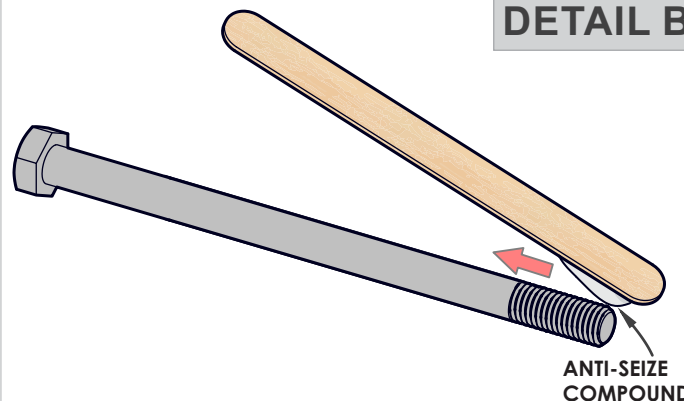
**NOTE: DO NOT** apply anti-seize compound with your finger or make any skin contact, use an applicator such as a cotton swab or a wooden stick.

**DETAIL A**



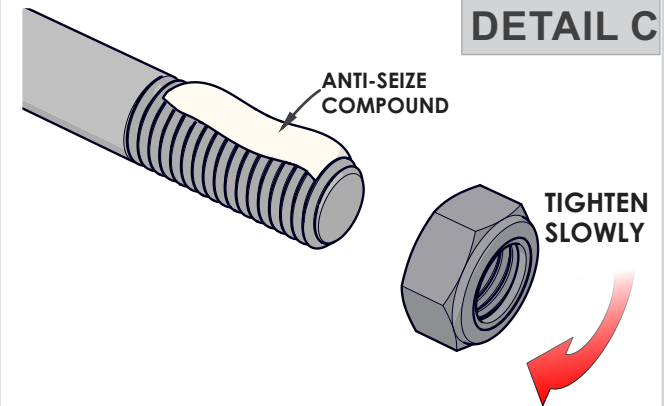
Apply anti-seize compound on all bolt threads with applicator. Using gloves is recommended.

**DETAIL B**



**DO NOT** use any power tools to tighten hardware.

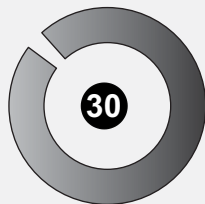
**DETAIL C**



## HARDWARE NEEDED (ACTUAL SIZE)



5/8"-11 HEX NUT, BLACK  
2B-6097-10  
**(QTY. 4)**



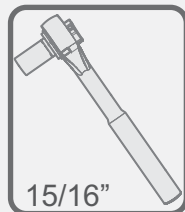
5/8" SPLIT LOCK  
WASHER, BLACK  
2B-6099-10  
**(QTY. 4)**



5/8" FLAT WASHER, BLACK  
2B-6098-05  
**(QTY. 8)**

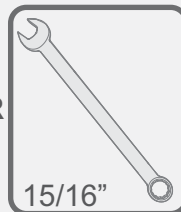
**\*Hardware located in Anchor kit box**

## TOOLS NEEDED

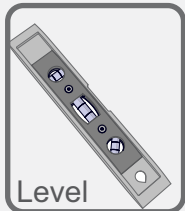


15/16"

OR



15/16"



Level

## WARNING

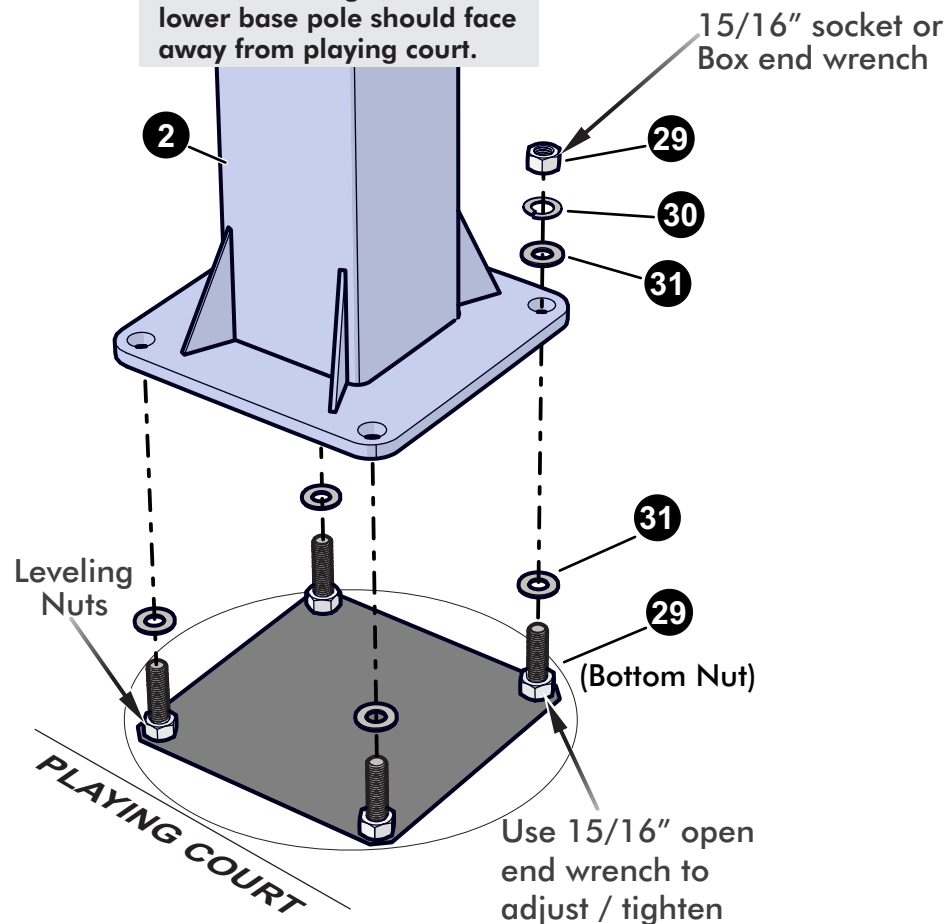
**PLACING THE POST ON THE ANCHOR SYSTEM  
REQUIRES AT LEAST TWO CAPABLE ADULTS.  
POLE WILL WANT TO LEAN WHILE ATTEMPTING TO  
STAND IT UP ON J BOLTS.**

## NOTICE

**DO NOT REMOVE BOTTOM NUTS #29 THAT  
YOU INSTALLED IN STEP 2 (PAGE 8).**

Let concrete cure for a  
**MINIMUM of 72 hours**  
before installing pole.

**NOTE:** Warning label on  
lower base pole should face  
away from playing court.



## GOALRILLA ASSEMBLY INSTRUCTIONS (Day 5)

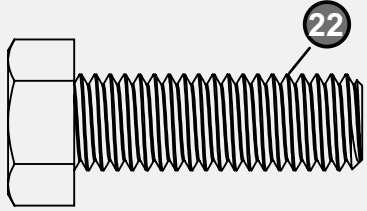
1. Lift the lower pole (#2) and place it onto the anchor system and secure it with the hardware as shown. Tighten the Fasteners finger tight, and leave them loose enough to level the pole. Place a level on the pole and adjust the bottom nuts (#29) until the pole is level (left to right and front to back). Tighten the top four hex nuts (#29) tight. Recheck the pole, front/back and side/side, to make sure the pole is level. Adjust the bottom nuts (#29) as required. Tighten tight when complete.

## NOTICE

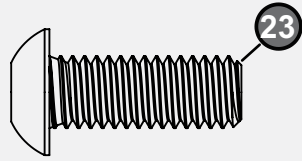
**DO NOT ADD THE THREAD PROTECTOR CAPS  
(#32) UNTIL INSTRUCTED ON PAGE 26.**

### HARDWARE NEEDED (ACTUAL SIZE)

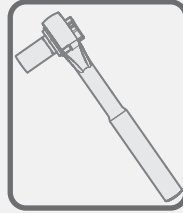
### TOOLS NEEDED



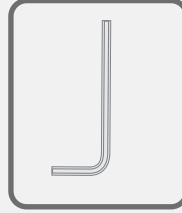
1/2-13 X 1.5 Hex Head Bolt - GR8  
1B-7287-05  
**(QTY. 2)**



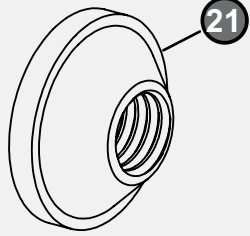
3/8-16 x 1" Button Head Screw  
1B-7221-05  
**(QTY. 2)**



1/2" Drive Torque Wrench with 3/4" Socket



7/32" Hex Key



Counter Sunk Threaded Washer 1/2"-13  
2S-9526-05  
**(QTY. 2)**

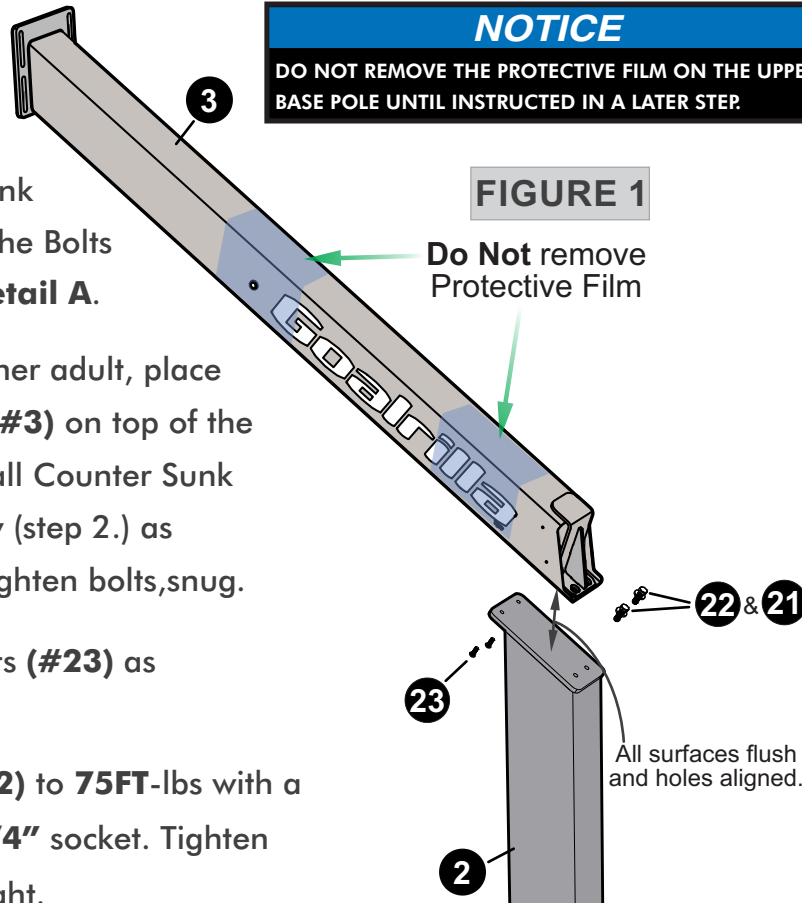
**NOTICE**  
DO NOT REMOVE THE PROTECTIVE FILM ON THE UPPER BASE POLE UNTIL INSTRUCTED IN A LATER STEP.

2. Screw the Counter Sunk Washers (#21) onto the Bolts (#22) as shown in **Detail A**.

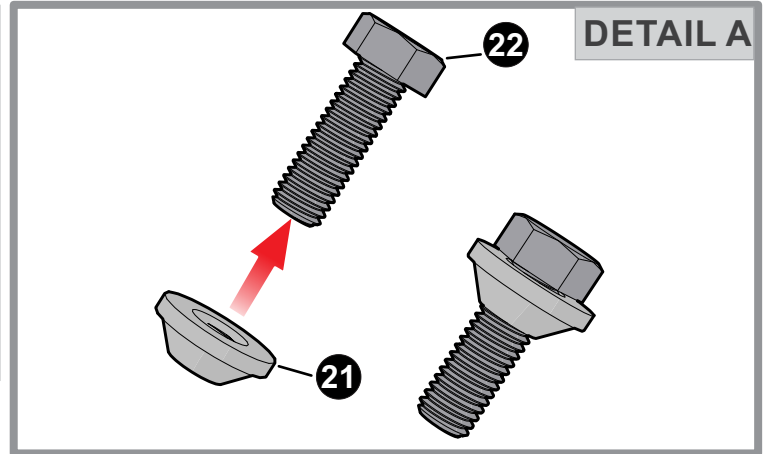
3. With the help of another adult, place the Upper Base Pole (#3) on top of the Lower Pole (#2). Install Counter Sunk Washer/Bolt assembly (step 2.) as shown in **Detail B**. Tighten bolts, snug.

4. Install the bottom bolts (#23) as shown in **Detail C**.

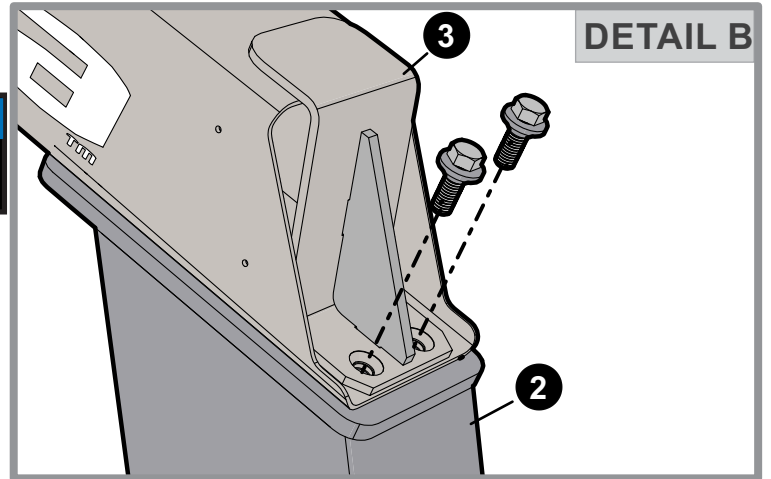
5. Tighten Top Bolts (#22) to **75FT-lbs** with a torque wrench and **3/4"** socket. Tighten bottom Bolts (#23) tight.



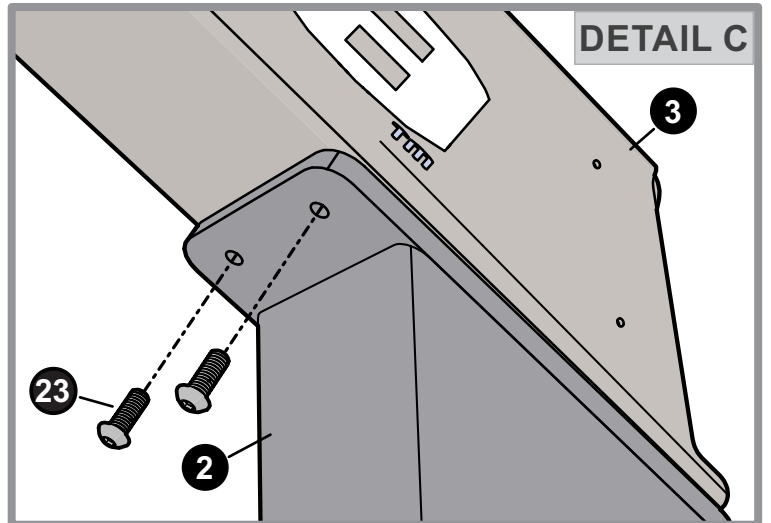
**FIGURE 1**



**DETAIL A**

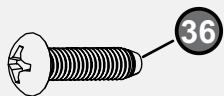


**DETAIL B**



**DETAIL C**

**HARDWARE NEEDED (ACTUAL SIZE)**



#10-32 X 3/4 Thread  
Cutting Screws  
1B-7271-05  
**(QTY. 4)**

**TOOLS NEEDED**

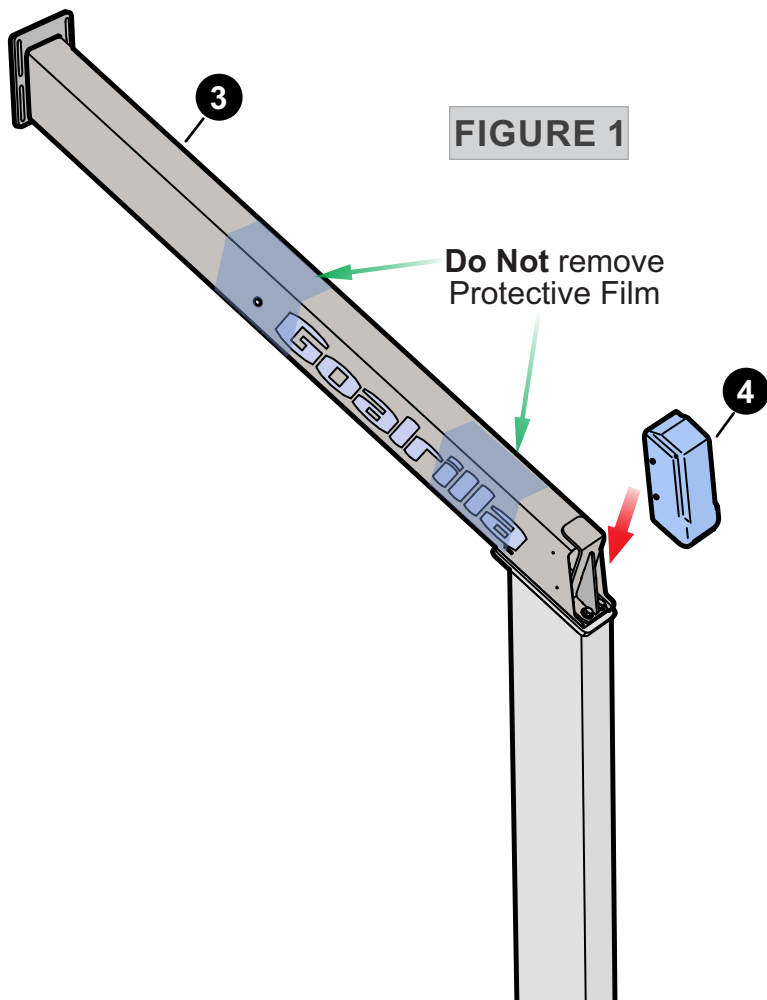


Phillips

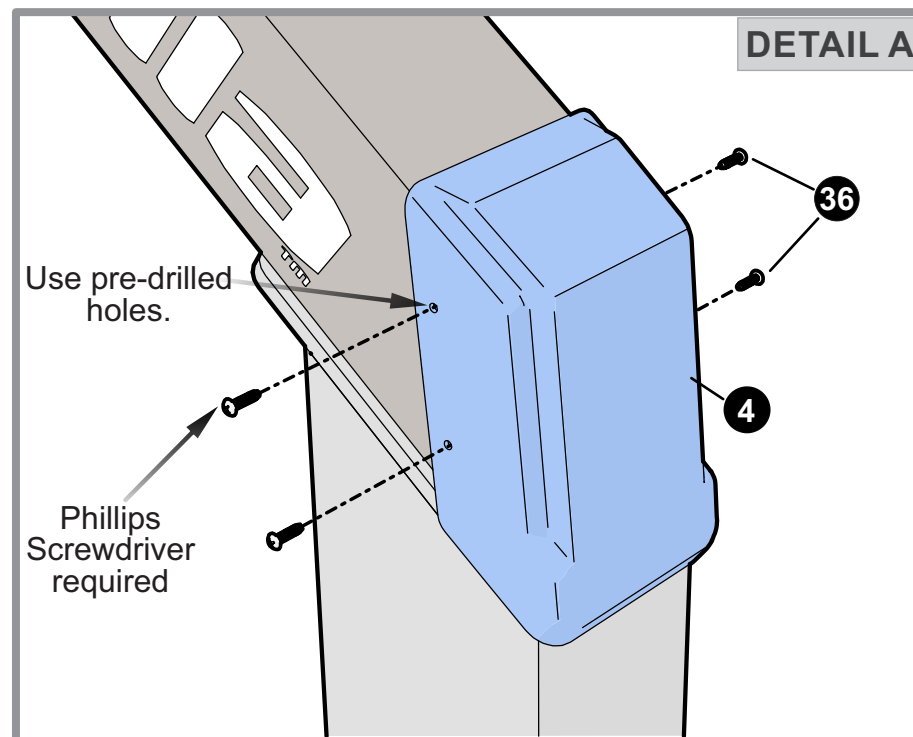
**NOTICE**

**DO NOT REMOVE THE PROTECTIVE FILM ON THE UPPER  
BASE POLE UNTIL INSTRUCTED IN A LATER STEP.**

6. Install Board Arm Cap (#4) onto the Upper Base Pole (#3) using screws (#36) as shown in **Detail A**.



**FIGURE 1**

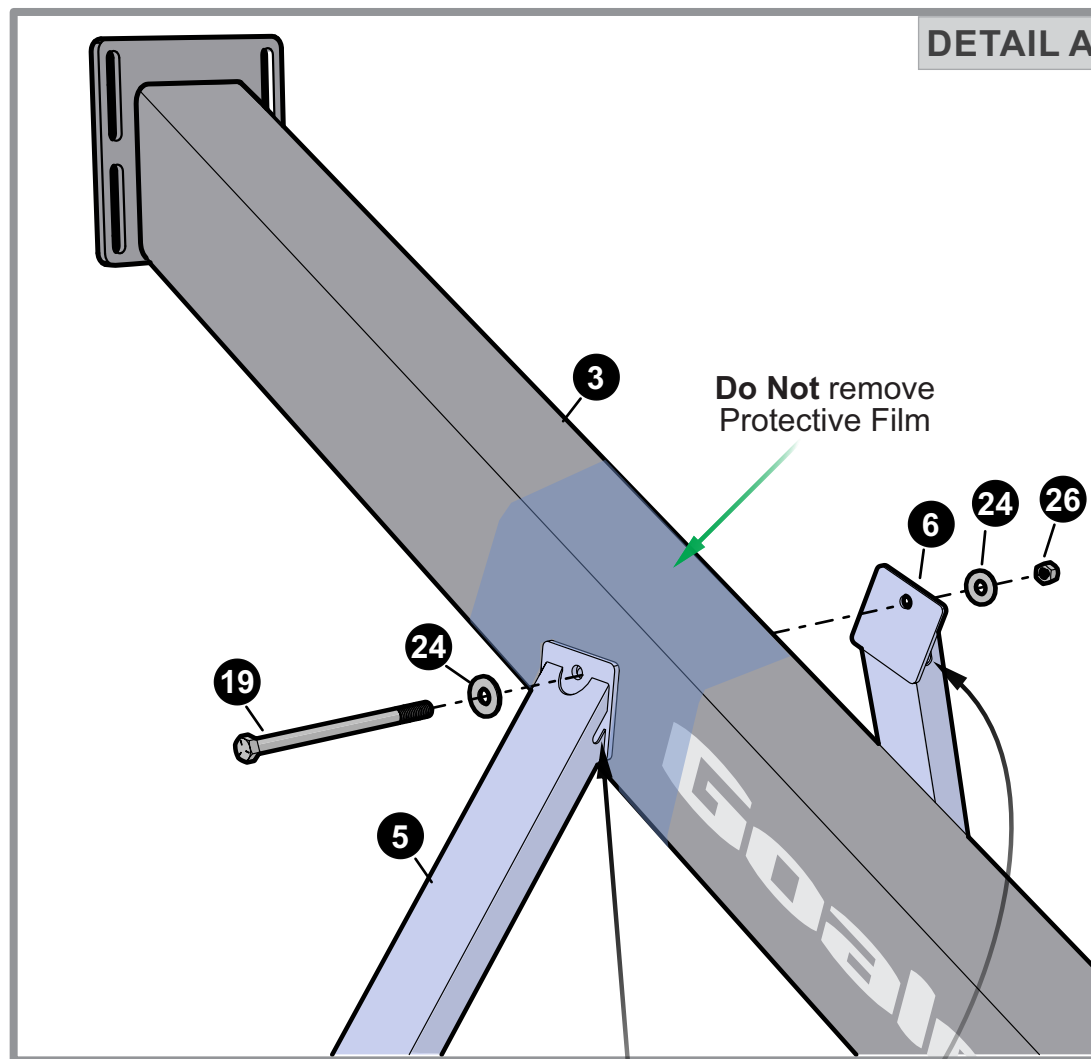
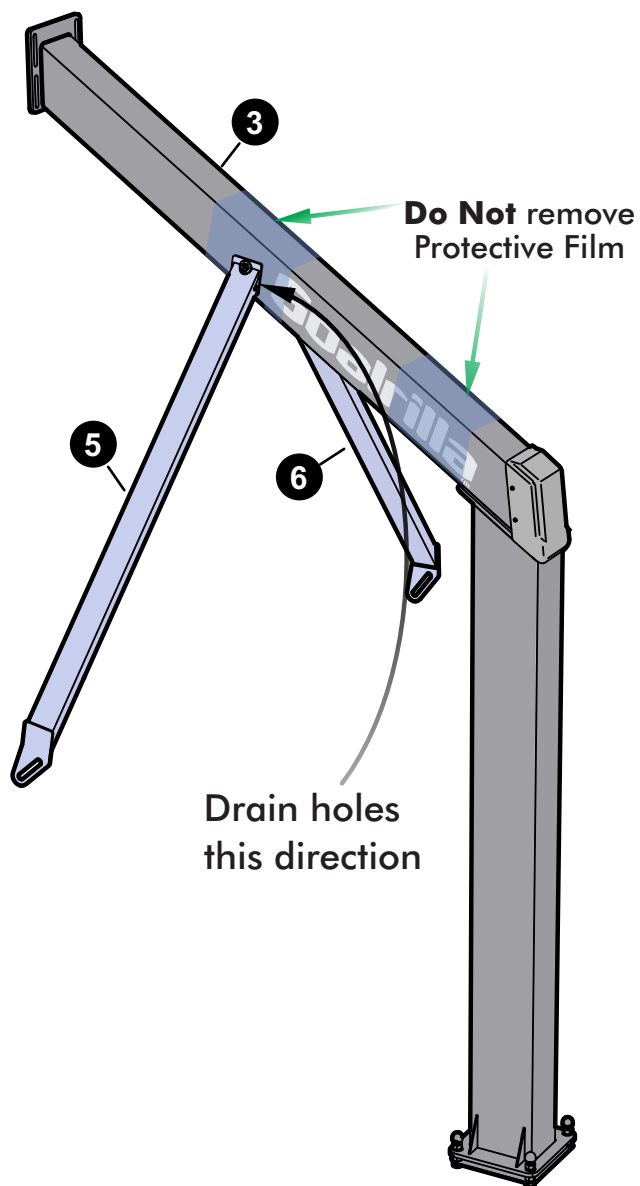


7. Attach Right Arm (#5) & Left Arm (#6) as shown in **Detail A**.

Only hand-tighten Locknut (#26) for now. You will be instructed to tighten it in a later step.

**NOTICE**

DO NOT REMOVE THE PROTECTIVE FILM ON THE UPPER BASE POLE UNTIL INSTALLATION IS COMPLETE.



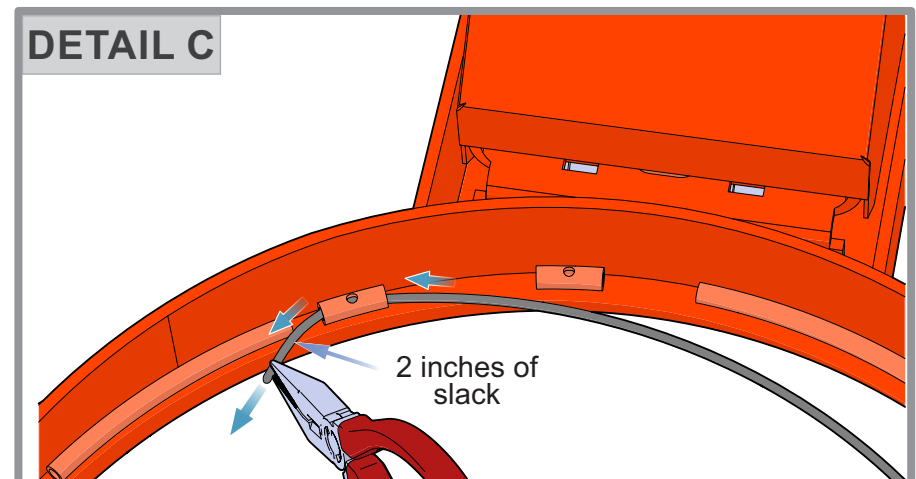
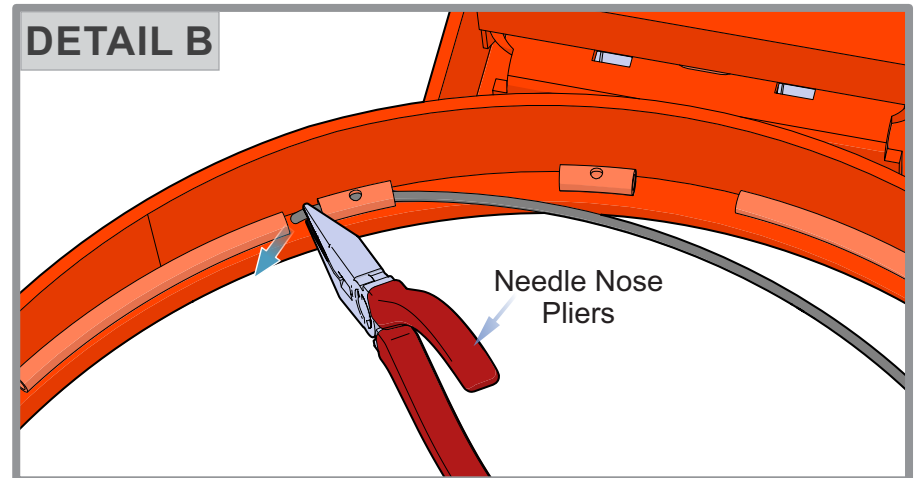
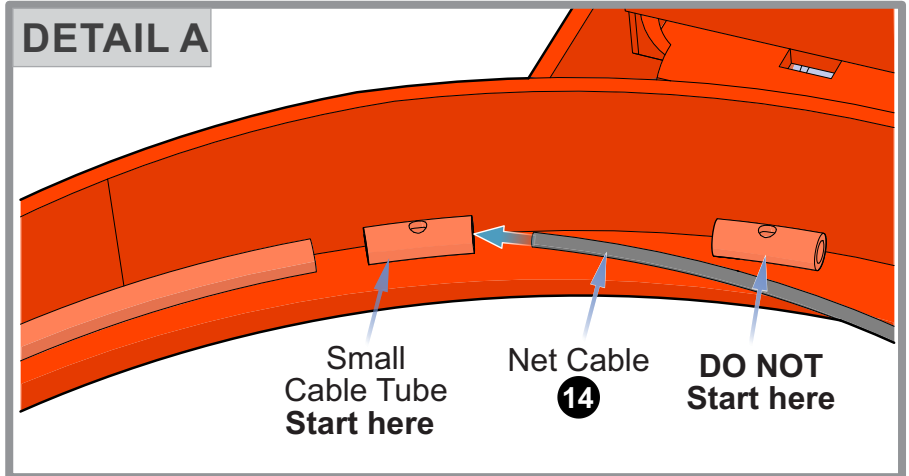
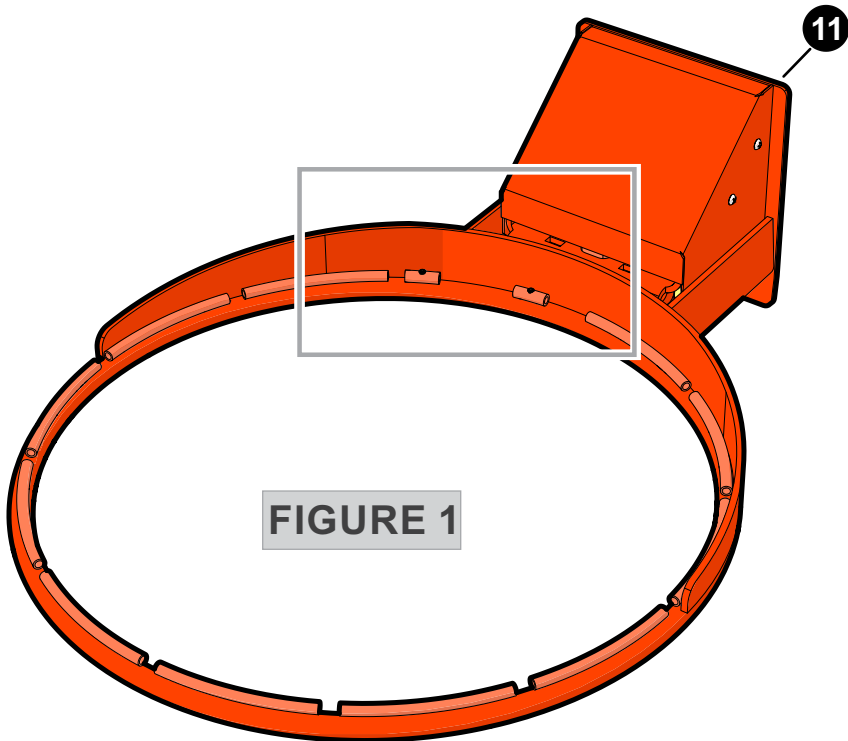
**Important:** Water drain holes MUST be oriented as shown in **Detail A** to ensure drain holes are on the bottom once the installation is complete.

## Attaching metal net cable to the rim.

1. Place the Rim on a Non-Abrasive table upside down and locate the small cable tubes. See **Figure 1 & Detail A**.
2. Insert the net cable through the **first cable tube**. See **Detail A**.

**NOTE:** Using needle nose pliers is recommended to make it easier to hold and pull the net cable through the small metal tubes but it is not required.

3. Hold on to the end of the net cable then pull out until there's a couple of inches of slack. See **Detail B & Detail C**.



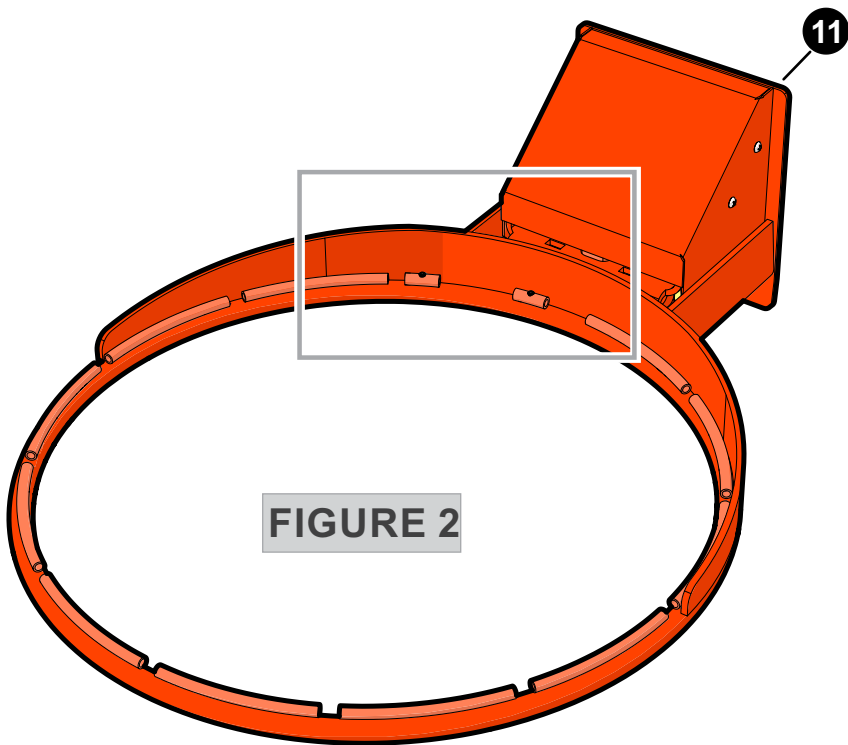


## Attaching net to the rim.

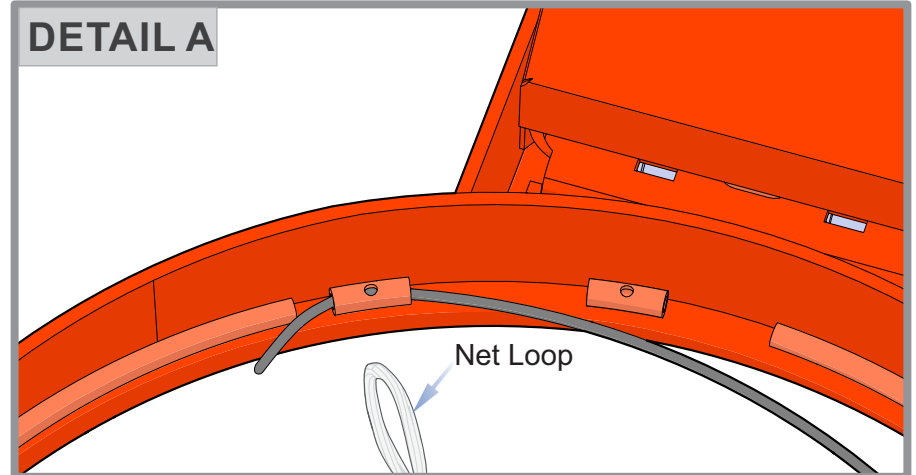
- Pick a loop on the nylon rim net and put it through the net cable as shown in **Detail A & Detail B**.

**Note:** Make sure there are no twists in net loops.

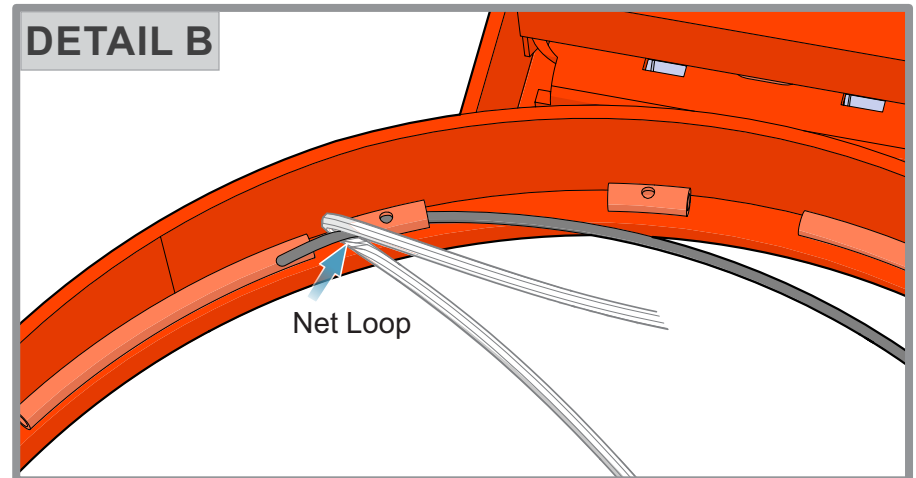
- Slowly pull the net cable back until there is no slack, but make sure the net loop does not slip off. Then, insert and push the cable into the next cable tube. See **Detail C**.



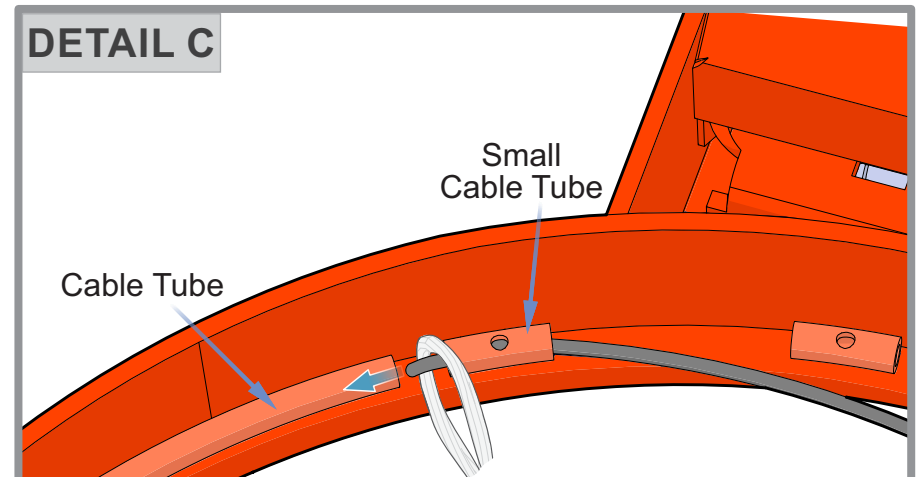
### DETAIL A



### DETAIL B



### DETAIL C

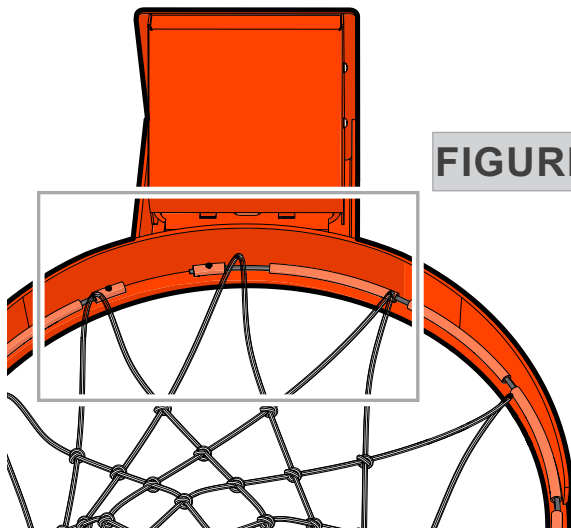


## Tighten the Set Screws

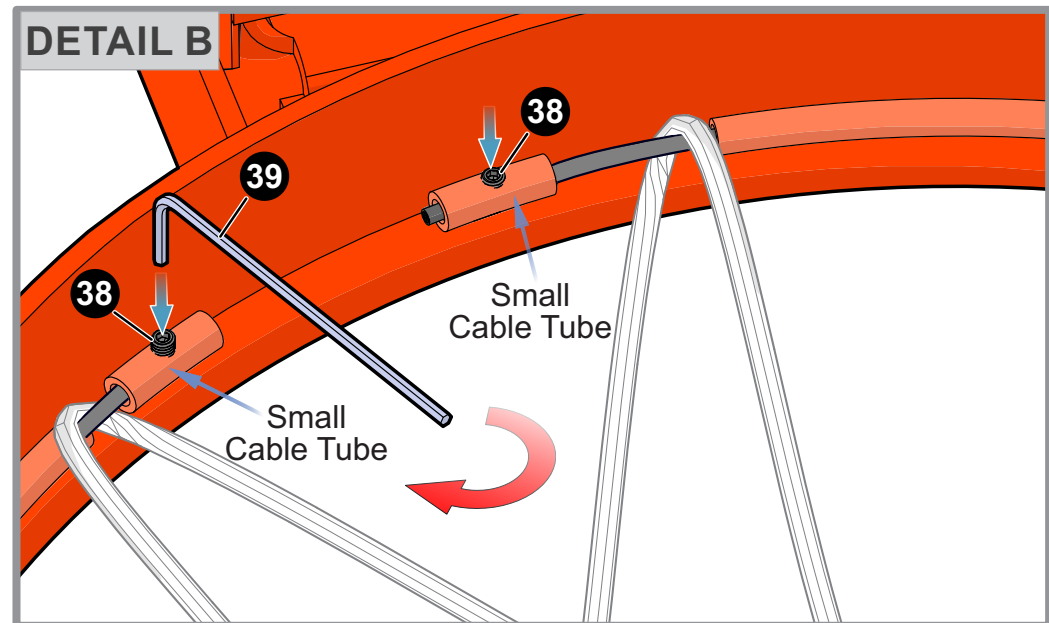
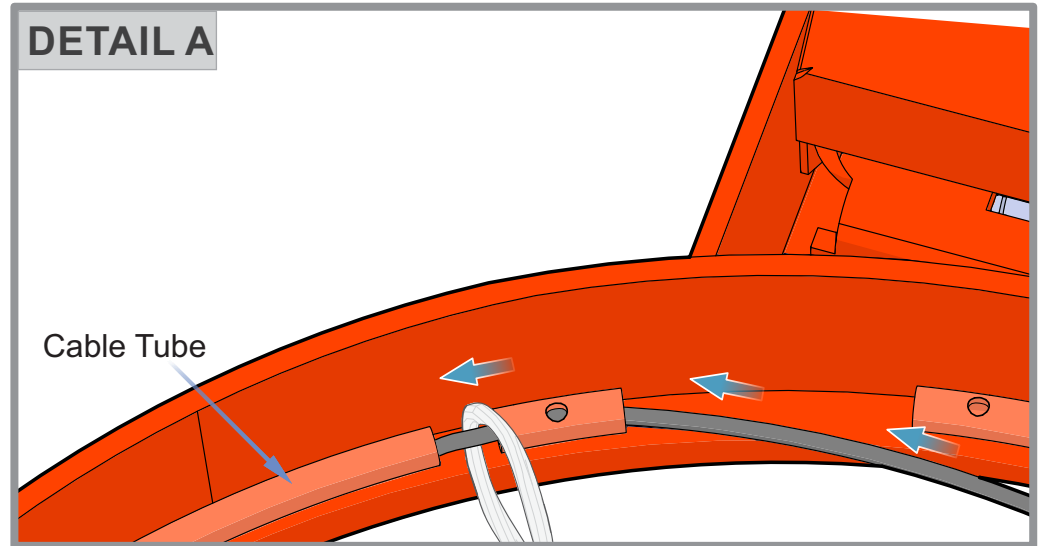
- Repeat steps 1-5 until all the net loops are through the net cable and the net cable is through all the cable tubes. See **Figure 3** & **Detail A**.

**NOTE:** Using needle nose pliers is recommended to make it easier to hold and pull the net cable through the small metal tubes but it is not required.

- Insert the set screws (**#38**) into the threaded holes in the small cable tubes and tighten tight using the Allen key (**#39**). See **Detail B**.



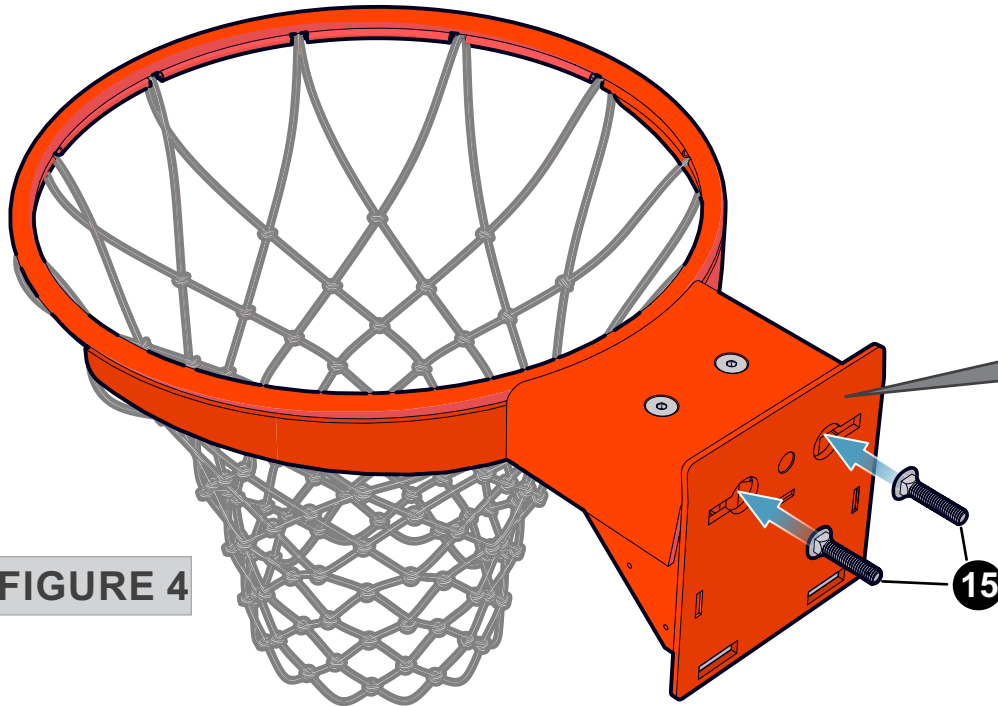
**FIGURE 3**



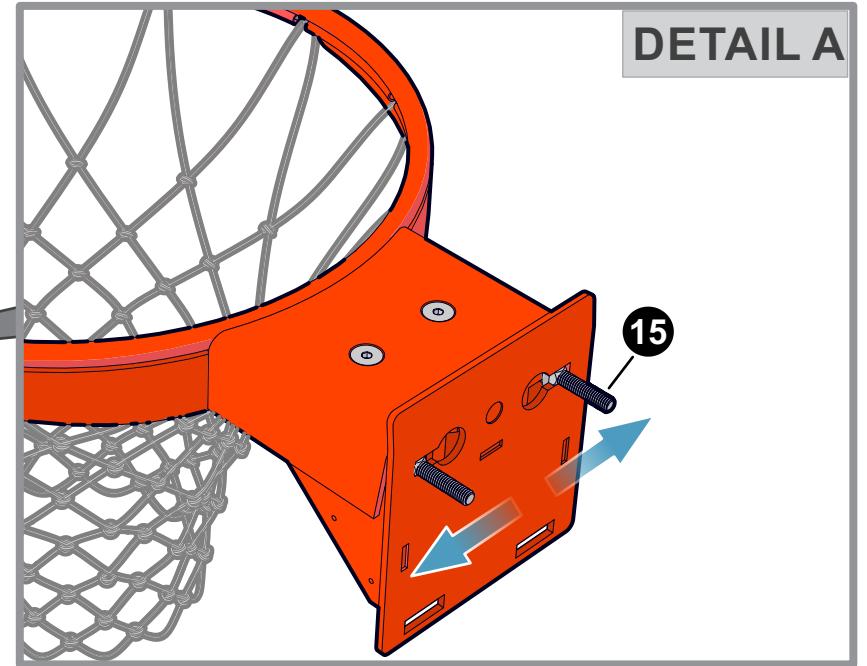
### Inserting top Carriage Bolts to top rim slots.

8. Insert the **top Carriage Bolts (#15)** into the carriage bolt holes located at the top back of the rim. See **Figure 4**.

9. Slide the Carriage Bolts (#15) outward into the slots as shown below. Carriage Bolts should stay in place to aid installation on the next step. See **Detail A**.



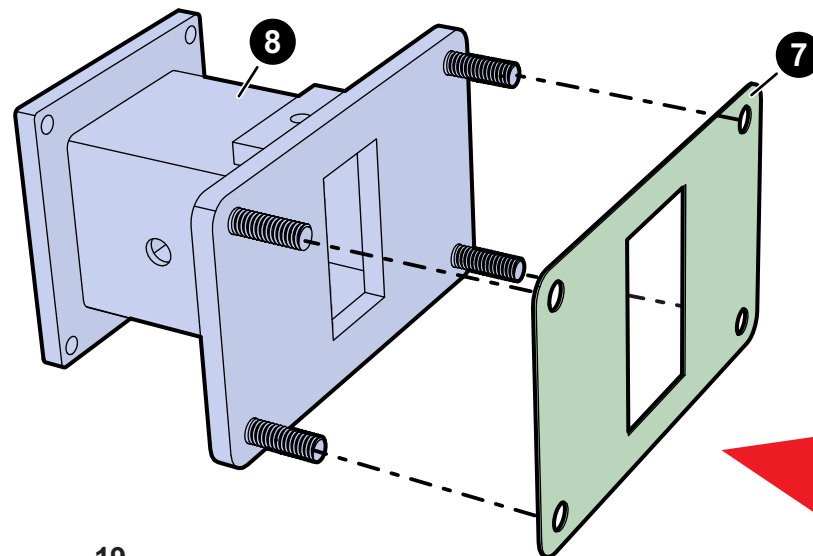
**FIGURE 4**



**DETAIL A**

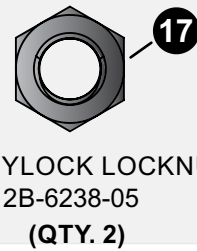
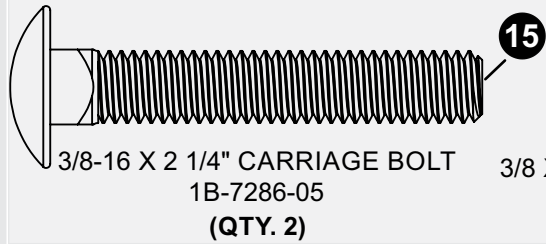
### Placing the Slider Sheet (#7) onto the Height Adjustment Weldment Bracket (#8)

1. Line up the holes on the Slider sheet with the studs on the Weldment Bracket and insert the Slider Sheet as shown. See **Figure 5**.



**FIGURE 5**

## HARDWARE NEEDED (ACTUAL SIZE)



## TOOL NEEDED



### Mounting Goal Assembly to the backboard.

1. Open lid of box containing backboard (#1). With the help of another capable adult rotate the backboard upright to a vertical position.

### Optional to Steps 2 and 3.

**Helpful Hint:** Carefully place the Backboard horizontally on 2 Heavy Duty saw-horses, with the Glass side up to attach the Rim (#11) and Height Adjustment Weldment (#8).

### Mounting Height Adjustment Weldment Bracket to Rim

2. While one capable person **holds the backboard**, have a second person raise the rim up to the backboard with the **top two Carriage Bolts (#15)** installed in the previous step and slide them into the holes in backboard as shown in **Detail A**.

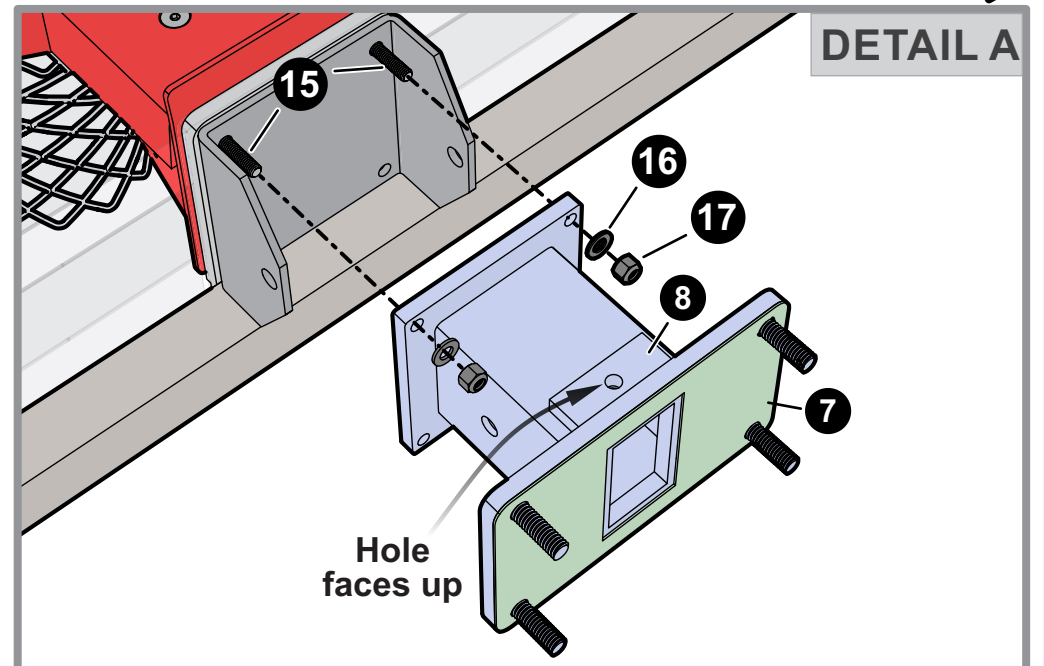
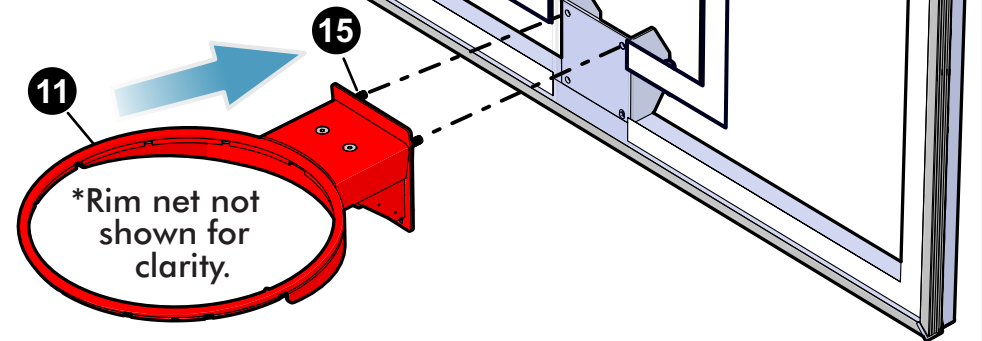
### CAUTION

THREE CAPABLE ADULTS ARE NEEDED FOR THE FOLLOWING STEPS.

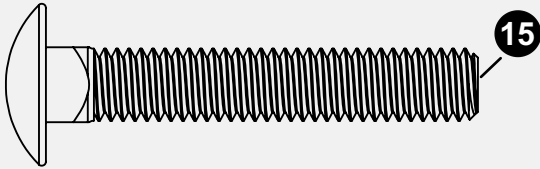
3. While a person is **still holding the backboard** have another person hold the rim up from the front. Have a third person attach the Height Adjustment Weldment (#8) to the Rim with Washers (#16) and Nuts (#17) as shown in **Detail A**.

### CAUTION

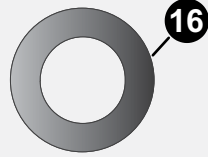
NEVER LOOSEN ANY NUTS OR BOLTS THAT HOLD THE BREAKAWAY RIM SPRING IN PLACE! THESE ARE UNDER SPRING LOAD AND COULD CAUSE DAMAGE TO PRODUCT/INJURY TO USER.



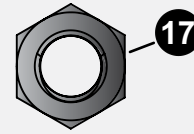
## HARDWARE NEEDED (ACTUAL SIZE)



3/8-16 X 2 1/4" CARRIAGE BOLT  
1B-7286-05  
(QTY. 2)



3/8 X 19MM FLAT WASHER  
2B-6289-05  
(QTY. 2)



3/8-16 NYLOCK LOCKNUT  
2B-6238-05  
(QTY. 2)

## TOOL NEEDED



### Securing Height Adjustment Weldment Bracket to Rim

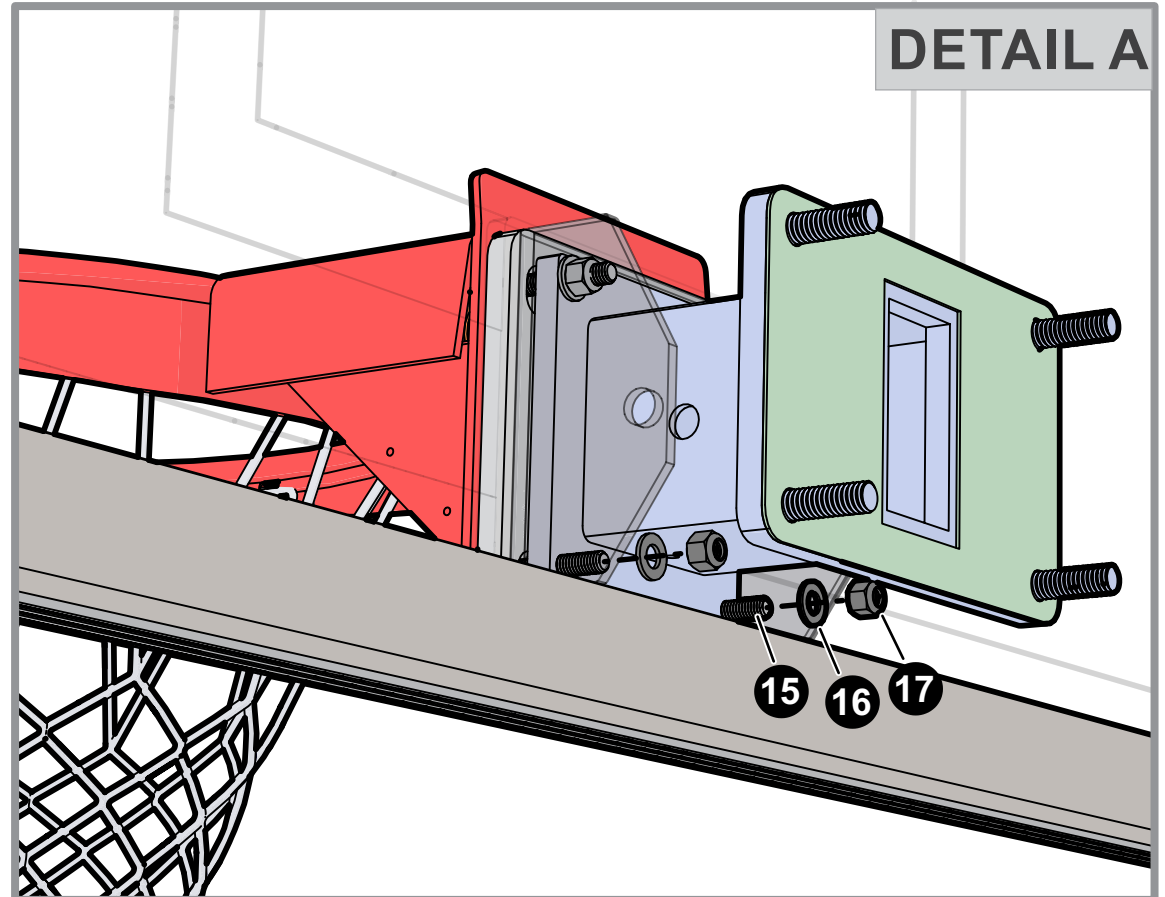
4. Insert the two **bottom** Carriage Bolts (#15) through the rim, backboard and Height Adjustment Weldment with Washers (#16) and Nuts (#17).

#### NOTICE

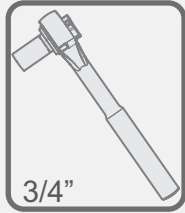
TIGHTEN THE FOUR LOCKNUTS (#17) UNTIL SNUG, BUT BE CAREFUL NOT TO OVER-TIGHTEN THEM.

#### CAUTION

NEVER LOOSEN ANY NUTS OR BOLTS THAT HOLD THE BREAKAWAY RIM SPRING IN PLACE! THESE ARE UNDER SPRING LOAD AND COULD CAUSE DAMAGE TO PRODUCT/INJURY TO USER.



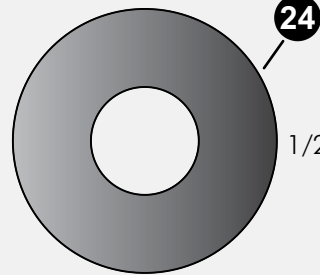
## TOOLS NEEDED



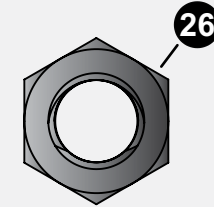
## HARDWARE NEEDED (ACTUAL SIZE)



1/2-13 X 7 3/4" HEX SECURITY BOLT  
1B-7133-05  
(QTY. 1)



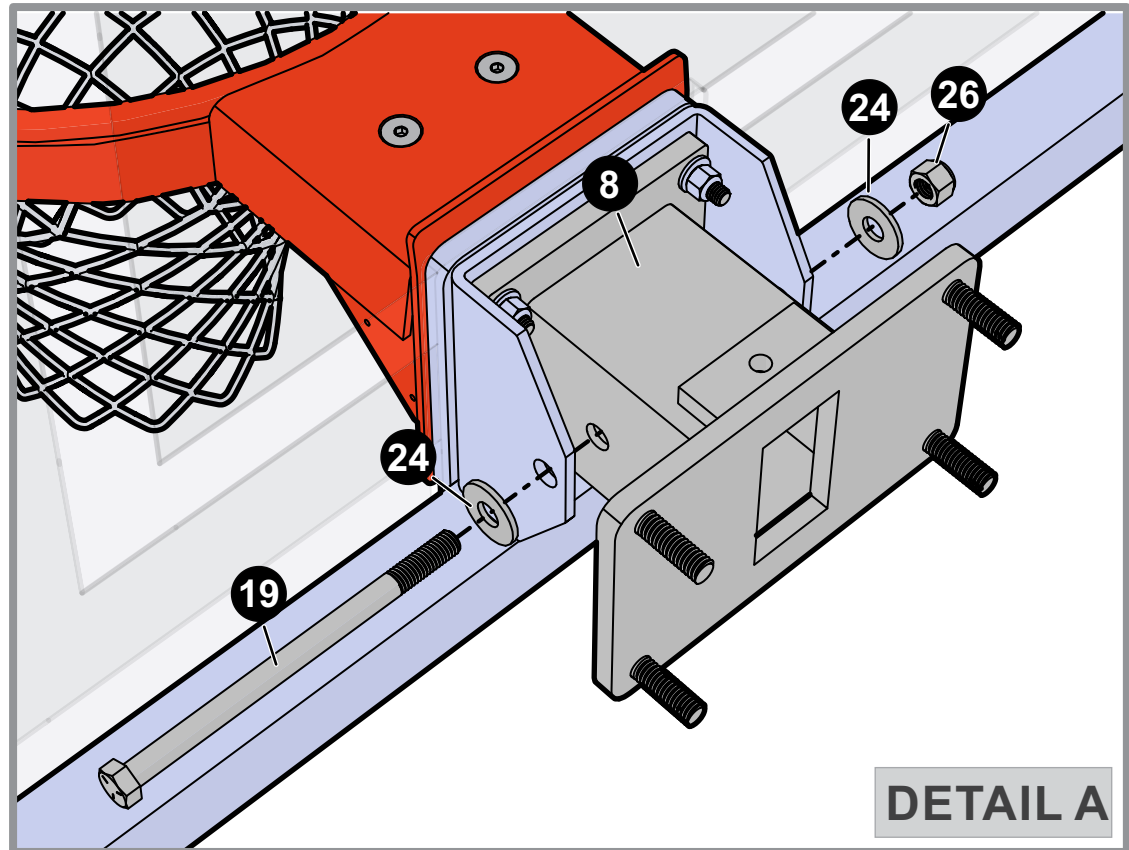
1/2" FLAT WASHER  
2B-6093-05  
(QTY. 2)



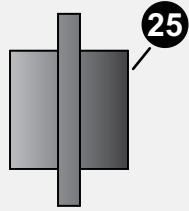
1/2-13 NYLOCK LOCKNUT  
2B-6095-05  
(QTY. 1)

## Installing security Bolt

5. Insert the Security Bolt (#19) through the Backboard brace and Height Adjustment Weldment Bracket (#8) as shown in **Detail A**. Fully tighten the hardware until the Backboard is secure.

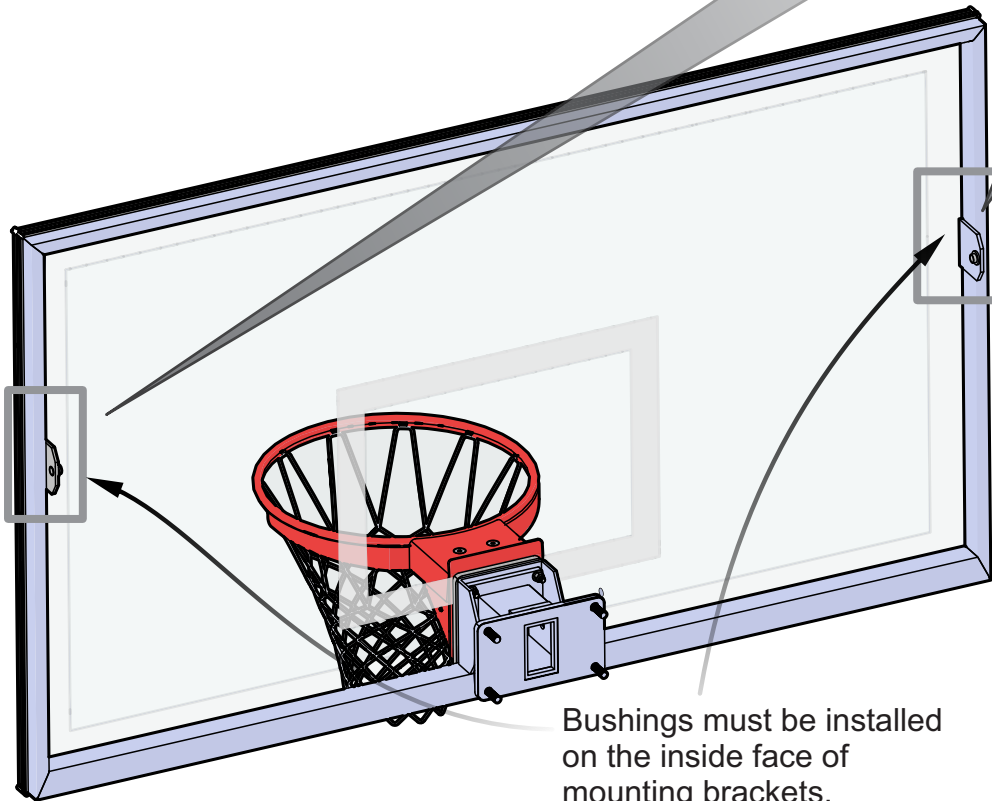


**HARDWARE NEEDED (ACTUAL SIZE)**



TWO WAY STEP BUSHING  
7B-6439-00  
**(QTY. 2)**

6. If not already installed, insert bushings(#25) as shown in **Detail A**.



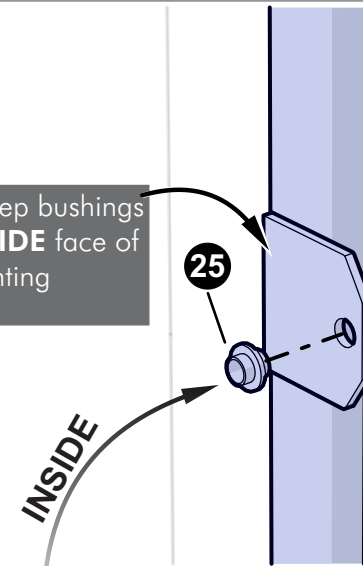
Bushings must be installed on the inside face of mounting brackets.

**NOTICE**

**IF THE BOARD BUSHINGS (#25) ARE NOT ALREADY PRE-INSTALLED, INSERT THEM AS SHOWN IN DETAIL A.**

**DETAIL A**

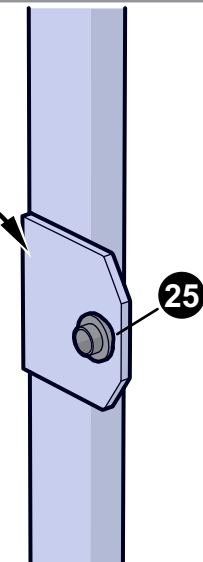
Install two way step bushings #25 on the **INSIDE** face of backboard mounting brackets.



**Important:** Bushings must be installed on the inside face of mounting brackets.

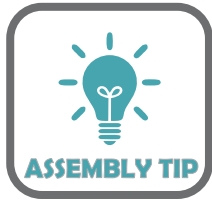
**DETAIL B**

Install two way step bushings #25 on the **INSIDE** face of backboard mounting brackets.



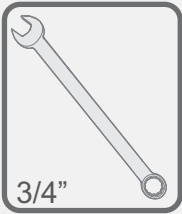


IT IS **REQUIRED** THAT THE FOLLOWING STEPS ARE DONE BY A PROFESSIONAL WITH CAPABLE EQUIPMENT CAPABLE OF LIFTING A MINIMUM OF 200 LBS. PLEASE TAKE PROPER SAFETY MEASURES WHEN ATTACHING THE BACKBOARD TO UPPER ARM.

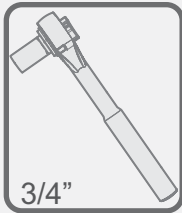


Before proceeding to the next step have the hardware and tools ready along with professional equipment. Read the next page completely and understand it before beginning the next step.

**TOOLS NEEDED**

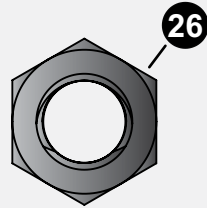


3/4"

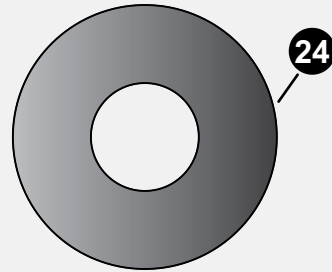


3/4"

**HARDWARE NEEDED (ACTUAL SIZE)**



1/2-13 NYLOCK LOCKNUT  
2B-6095-05  
(QTY. 4)



1/2" FLAT WASHER  
2B-6093-05  
(QTY. 4)



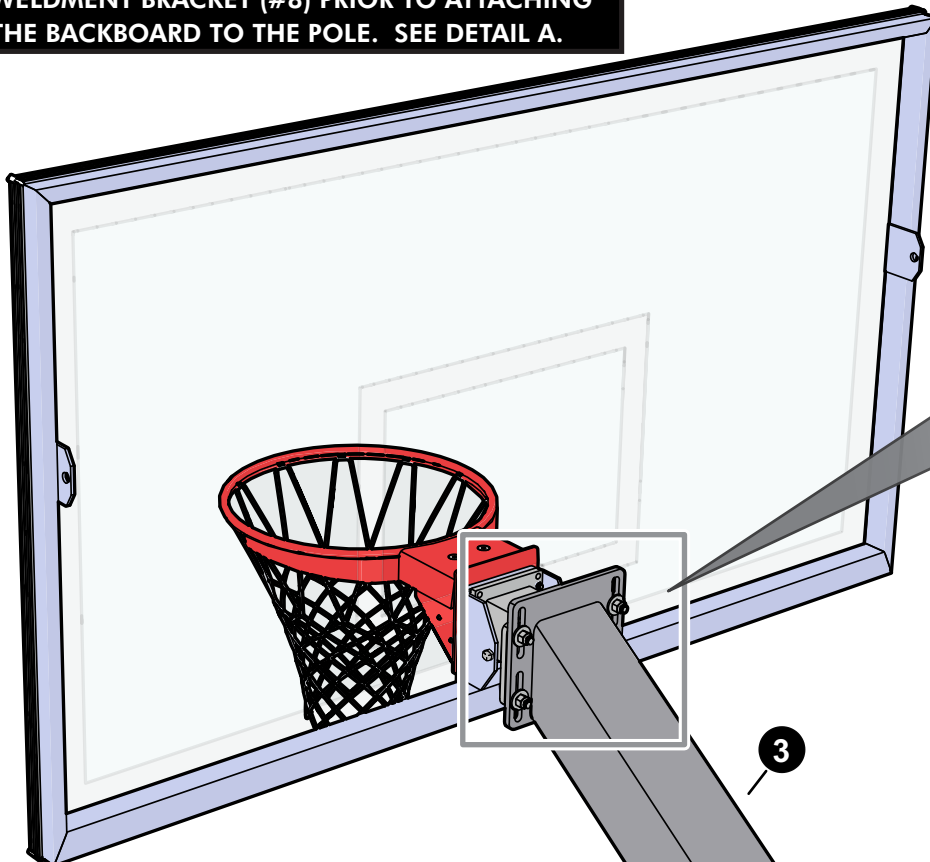
## **⚠ DANGER**

THE FOLLOWING STEPS MUST BE COMPLETED BY A PROFESSIONAL WITH CAPABLE LIFTING EQUIPMENT. PLEASE TAKE PROPER MEASURES WHEN ATTACHING THE BACKBOARD TO UPPER BASE POLE. BE PREPARED TO ATTACH THE UPPER BOARD ARMS IMMEDIATELY AFTER ATTACHING THE BACKBOARD TO THE UPPER BASE POLE.

1. Raise the backboard assembly up and attach Upper Base Pole (#3) to Height Adjustment Weldment Bracket (#8) as shown in **Detail A**. Fully tighten the hardware until the Backboard is secure. Proceed to the next step **immediately**.

### **NOTICE**

ENSURE THAT THE SLIDER SHEET (#7) IS PLACED ON THE STUDS OF THE HEIGHT ADJUSTMENT WELDMENT BRACKET (#8) PRIOR TO ATTACHING THE BACKBOARD TO THE POLE. SEE DETAIL A.

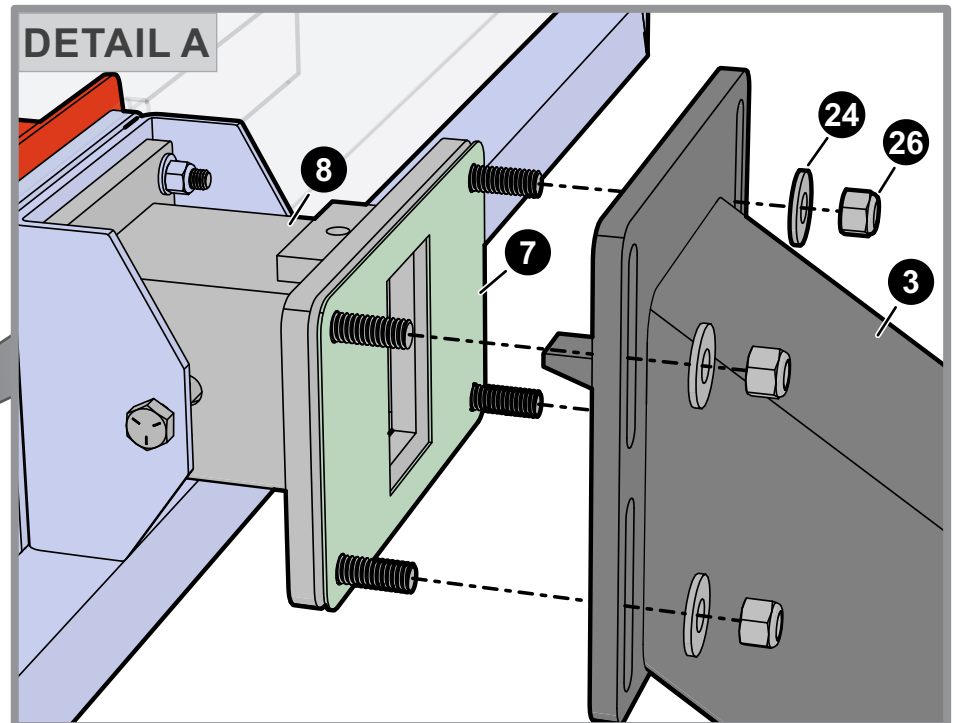


## **⚠ DANGER**

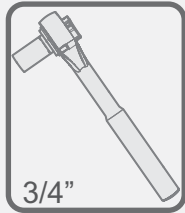
EXTREMELY HEAVY BACKBOARD! HANDLE WITH CARE, IT IS A GLASS PRODUCT. ALWAYS WEAR SAFETY GLASSES AND GLOVES WHEN HANDLING GLASS. DEATH OR SERIOUS INJURY CAN OCCUR WITHOUT CAPABLE LIFTING EQUIPMENT.

## **⚠ DANGER**

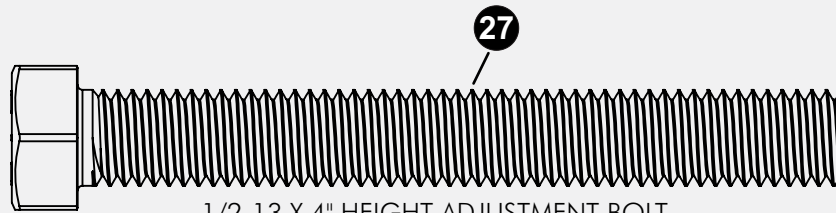
DO NOT LEAVE THE SYSTEM UNATTENDED UNTIL THE UPPER BOARD ARMS ARE ATTACHED AND SECURED.



## TOOLS NEEDED



## HARDWARE NEEDED (ACTUAL SIZE)

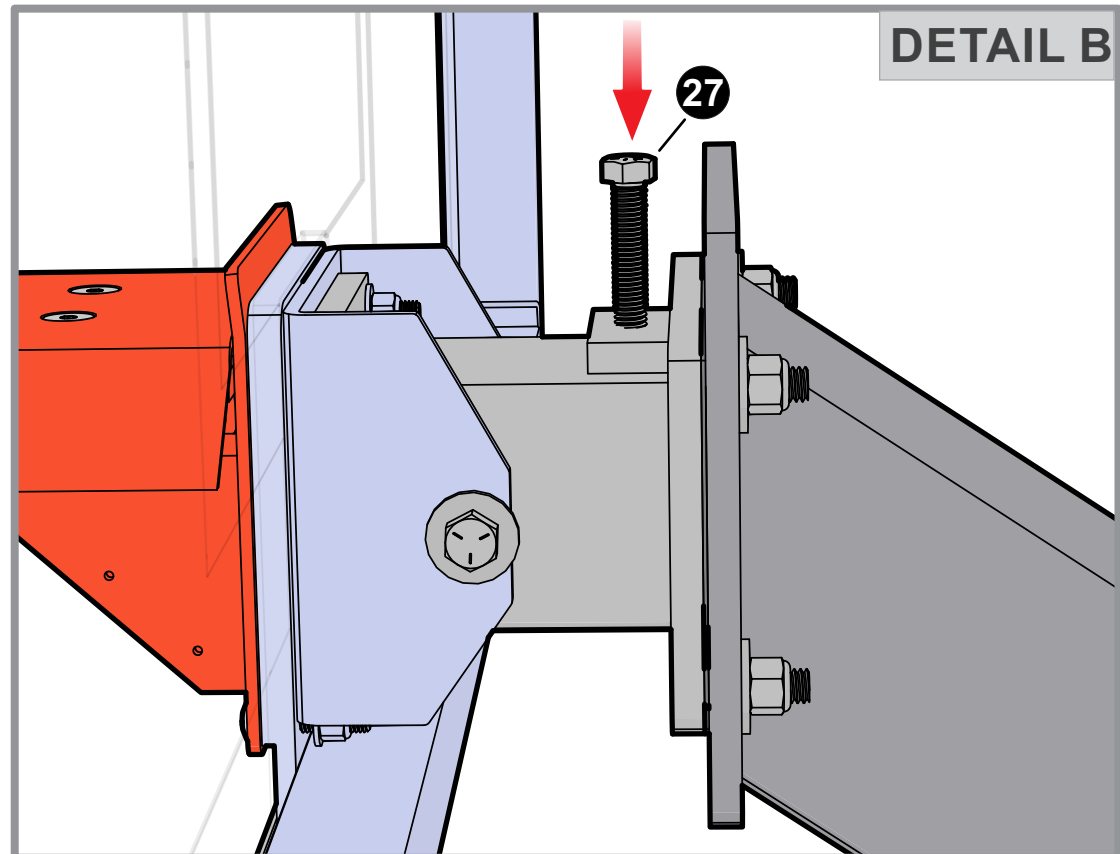


1/2-13 X 4" HEIGHT ADJUSTMENT BOLT

1B-7285-05

(QTY. 1)

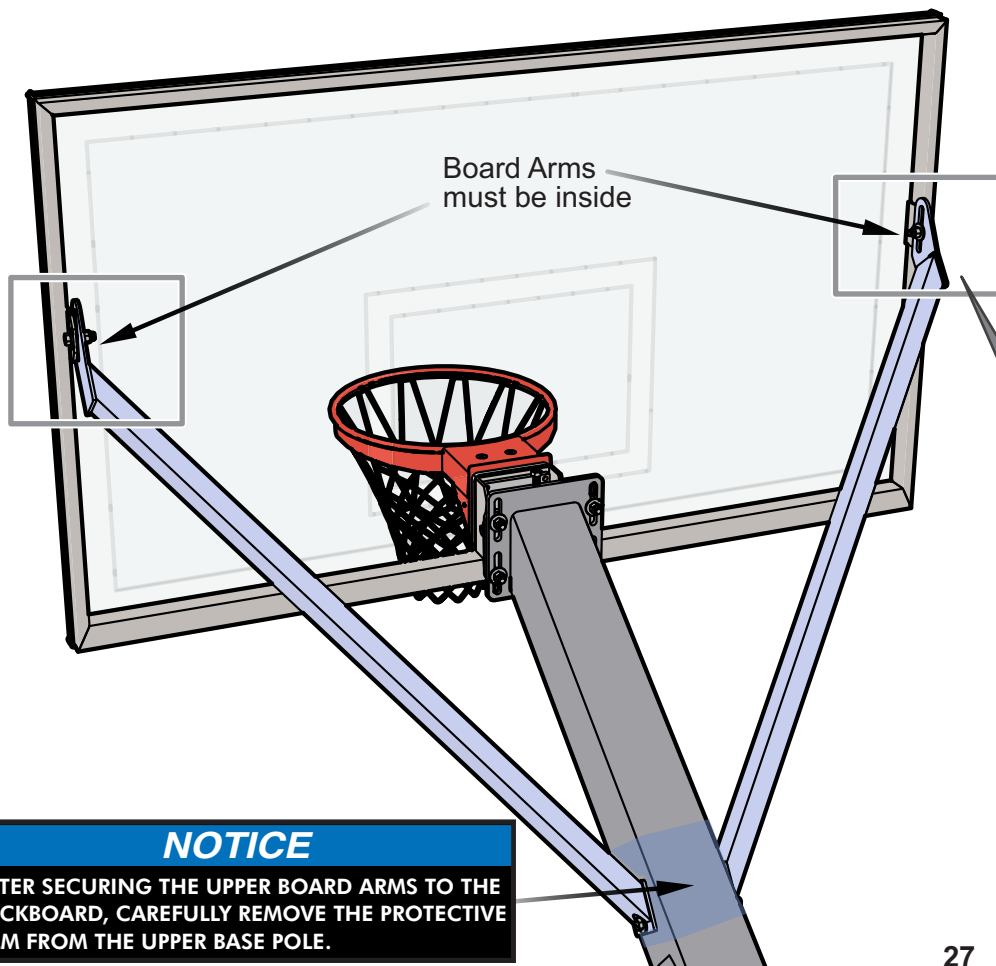
2. Screw the Adjustment Bolt (#27) to the Weldment Bracket as shown in **Detail B**. Hand tighten the Bolt, then immediately proceed to the next step and attach the upper board arms to the backboard.



## DANGER

DO NOT LEAVE THE SYSTEM UNATTENDED UNTIL THE UPPER BOARD ARMS ARE ATTACHED AND SECURED.

- Carefully swing the upper board arms up as shown in **Detail A**.
- Attach upper **board arms** to the inside of the **upper mounting brackets** and step bushings as shown in **Detail B**. Tighten all hardware fully at this time.

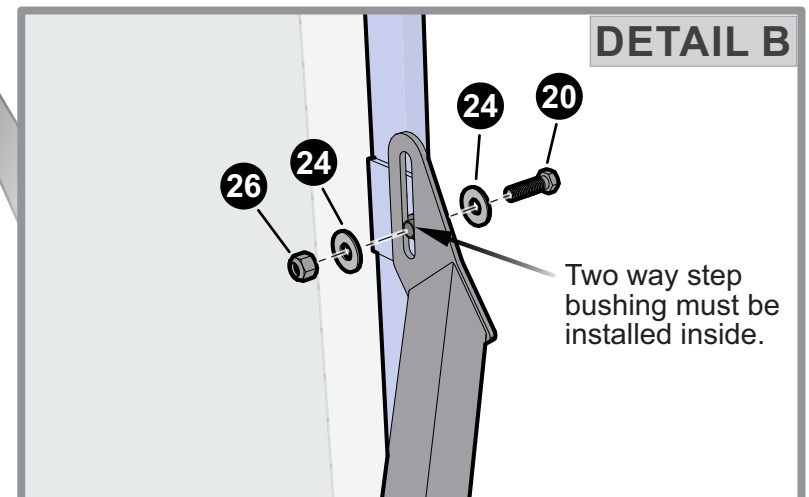
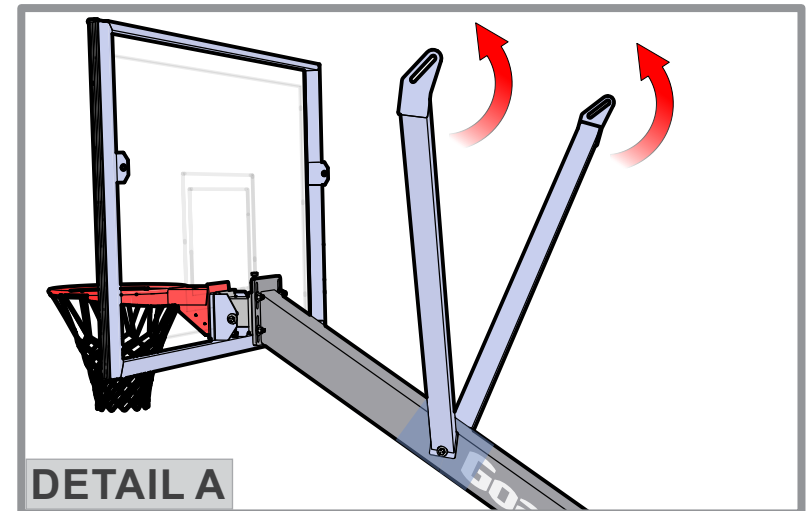


### NOTICE

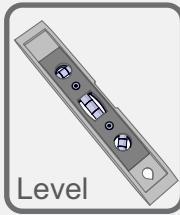
AFTER SECURING THE UPPER BOARD ARMS TO THE BACKBOARD, CAREFULLY REMOVE THE PROTECTIVE FILM FROM THE UPPER BASE POLE.

## DANGER

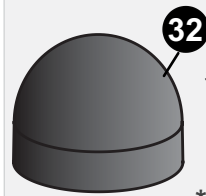
EXTREMELY HEAVY BACKBOARD! HANDLE WITH CARE, IT IS A GLASS PRODUCT. ALWAYS WEAR SAFETY GLASSES AND GLOVES WHEN HANDLING GLASS. DEATH OR SERIOUS INJURY CAN OCCUR WITHOUT CAPABLE LIFTING EQUIPMENT.



## TOOLS NEEDED



## HARDWARE NEEDED (ACTUAL SIZE)



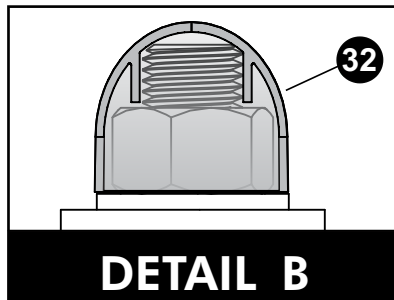
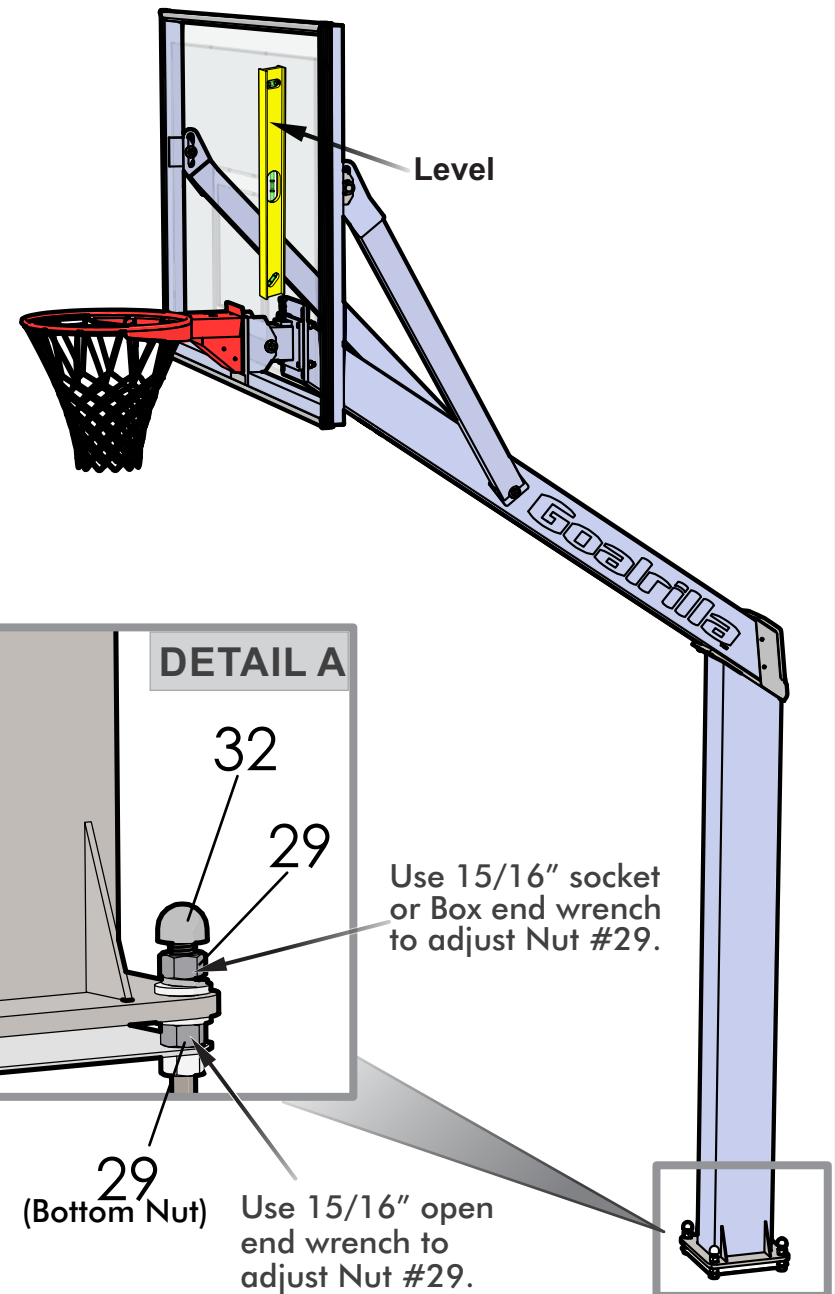
5/8" THREAD PROTECTOR CAP  
3M-9040-00  
(QTY. 4)

\*Located in Anchor kit box

## NOTICE

TWO ADULTS ARE RECOMMENDED FOR THIS STEP, ONE TO LEVEL AND ONE TO ADJUST THE BOTTOM #29 NUTS.

- If further leveling is required, loosen the top (#29) nuts but do not loosen past the top of (#34) "J" Bolt. **DO NOT REMOVE NUTS #29.** Place a level on the front of the backboard and adjust bottom nuts (#29) with a 15/16" open end wrench until backboard is level. Tighten top (#29) hex nuts. See **Detail A.**
- Push on Thread Protector Cap (#32) until it is securely in place. Cap may be tight, push hard but **DO NOT** hit with a hammer! See **Detail B.**



### NOTE:

If basketball system needs to be moved, **do not** try to salvage caps. Caps #32 will be tight, please remove with pliers and discard. New caps will come in new anchor system.

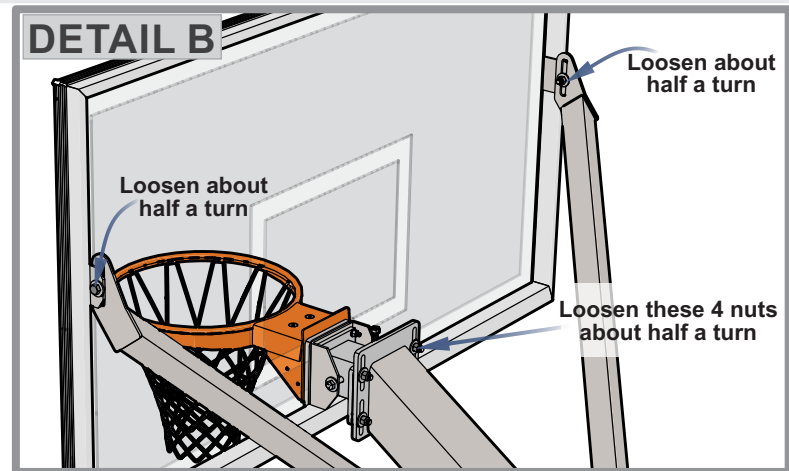
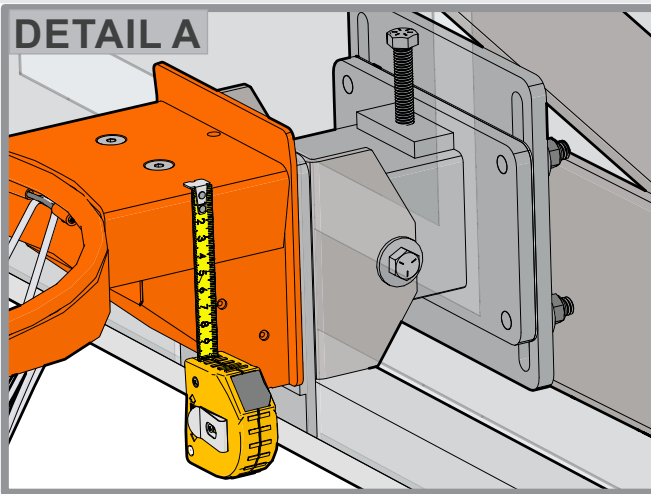
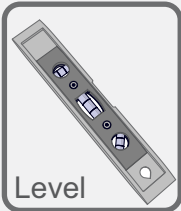
### NOTE:

If #32 caps are missing for any reason please call customer service.

### NOTE:

Bottom nuts #29 can be used for leveling system. See **Step 1.**

## TOOLS NEEDED

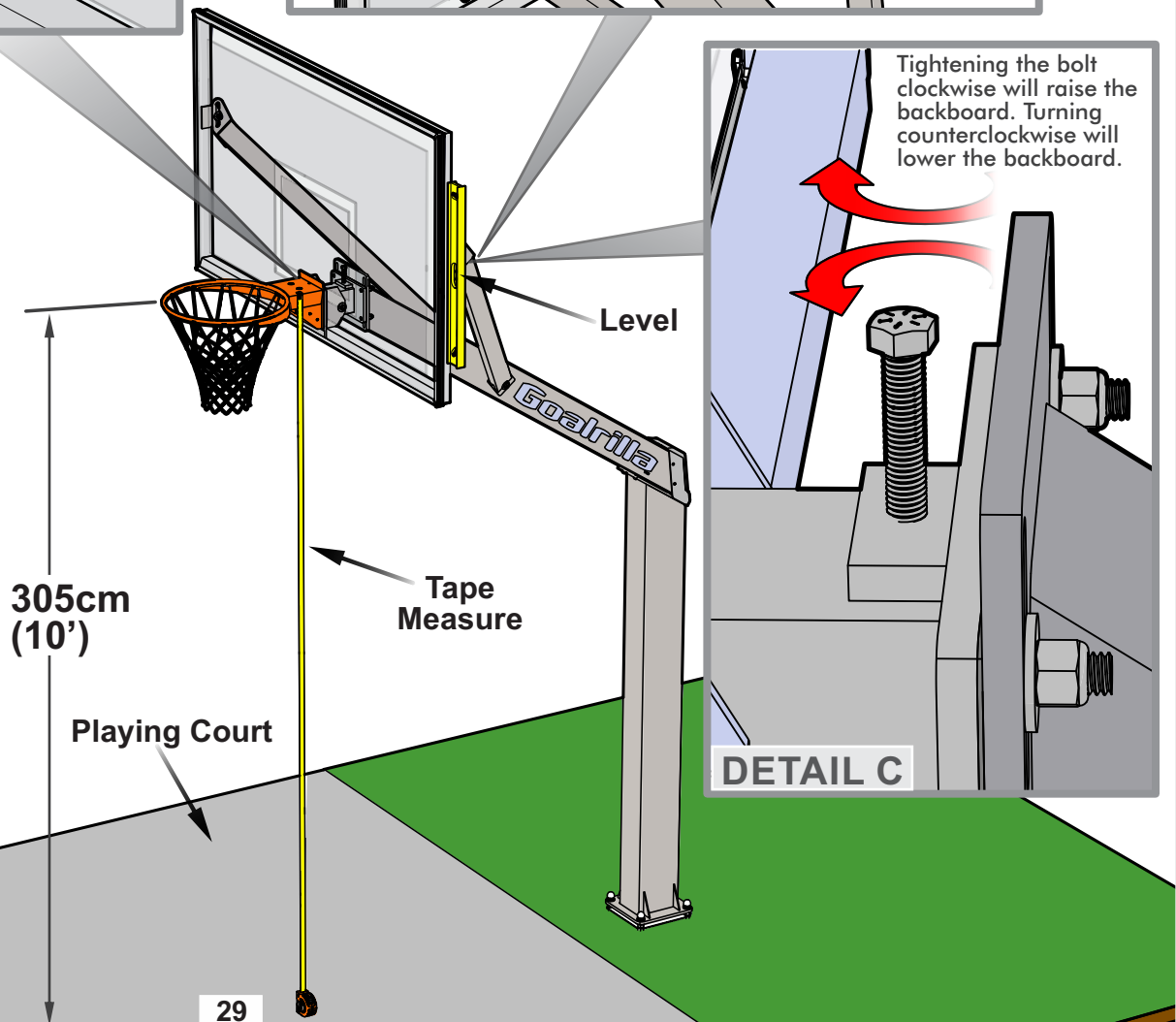


7. Place the tape measure tab on the top face of Rim to verify that the rim is the 305cm (10') height. See **Detail A**.

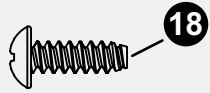
### NOTICE

THE CORRECT RIM HEIGHT SHOULD MEASURE 10' FROM THE TOP OF THE RIM DOWN TO THE PLAYING COURT.

8. Slightly loosen (about a half turn) the Arm to Backboard locknuts and the four Locknuts that hold the Height adjustment weldment to the upper base pole. See **Detail B**.
9. Turn the Height Adjustment screw until it touches the internal foot on the upper pole. As you tighten, it will raise the system. Continue to tighten until a 305cm (10') height is achieved. See **Detail C**.
10. Once the desired height is reached go back and tighten the six Locknut locations until the hardware is tight.
11. Go back and verify that everything is level. Using a magnetic level, attach it vertically to the backboard frame surface as shown.



## HARDWARE NEEDED (ACTUAL SIZE)



#8 X 1/2" THREAD CUTTING SCREW  
1B-6238-01  
**(QTY. 4)**

## TOOLS NEEDED



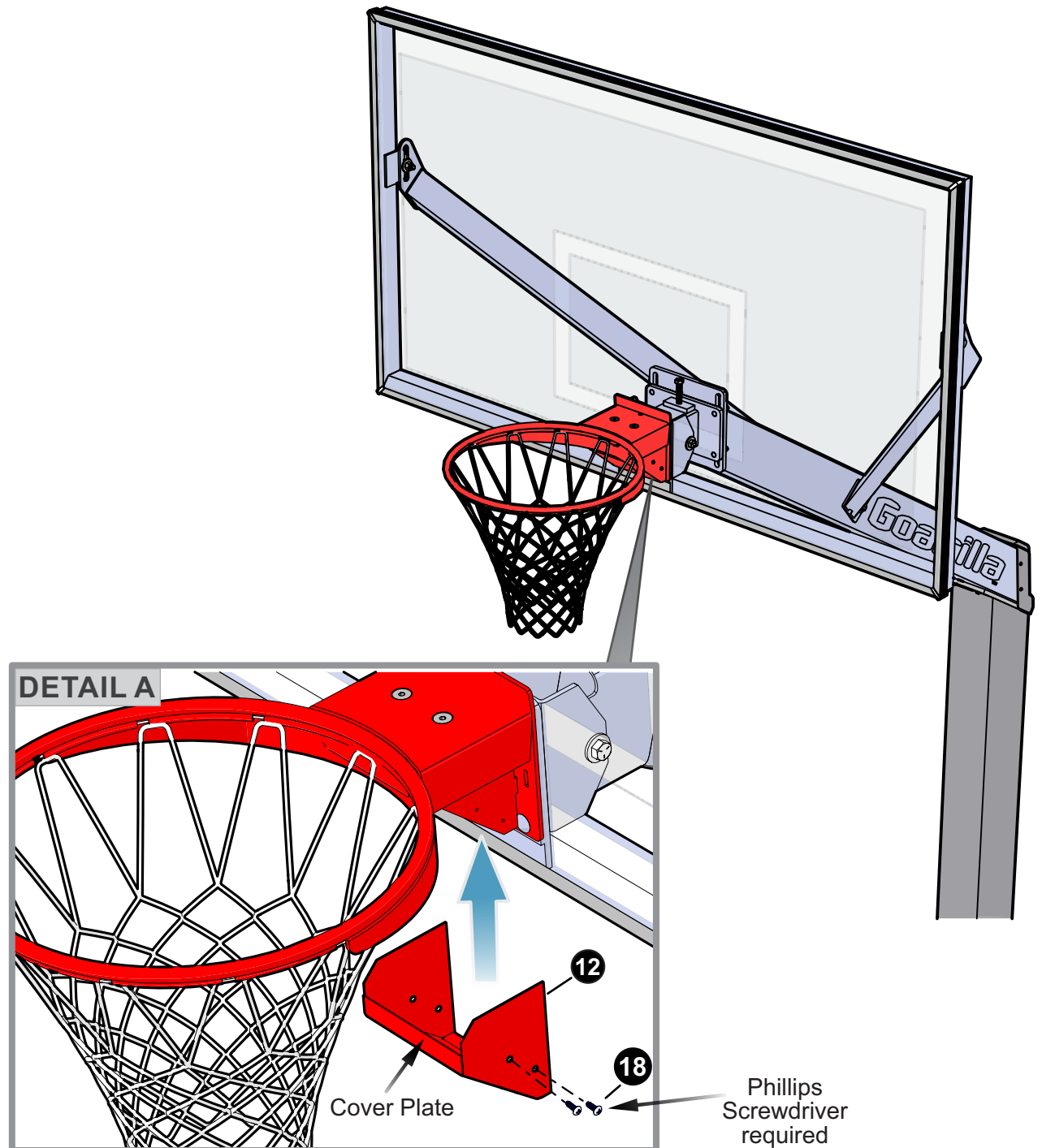
12. Attach Rim Cover Plate (#12)  
with four screws (#18).

### **! CAUTION**

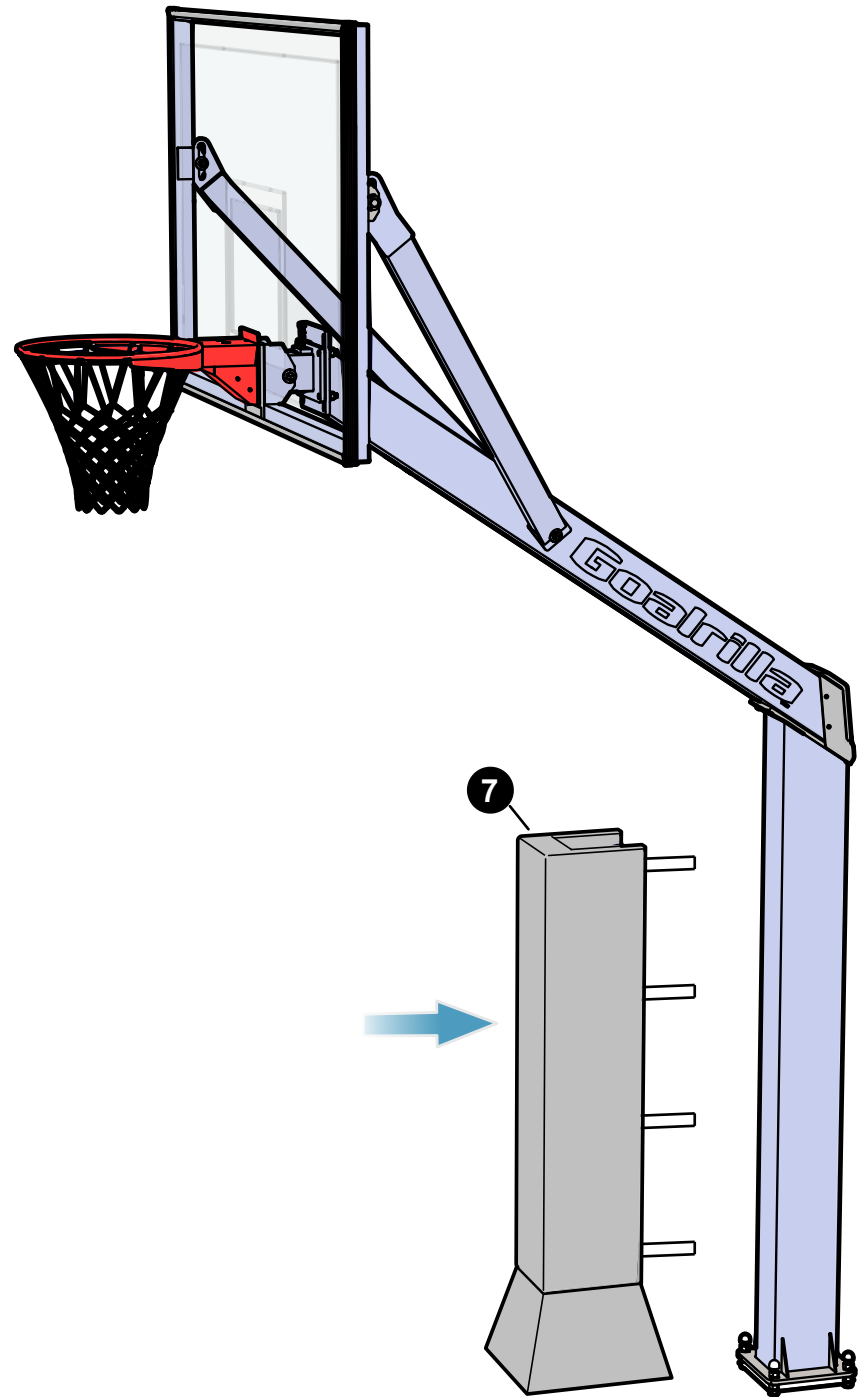
NEVER LOOSEN ANY NUTS OR BOLTS THAT HOLD THE BREAKAWAY RIM SPRING IN PLACE! THESE ARE UNDER SPRING LOAD AND COULD CAUSE DAMAGE TO PRODUCT/INJURY TO USER.

### **! CAUTION**

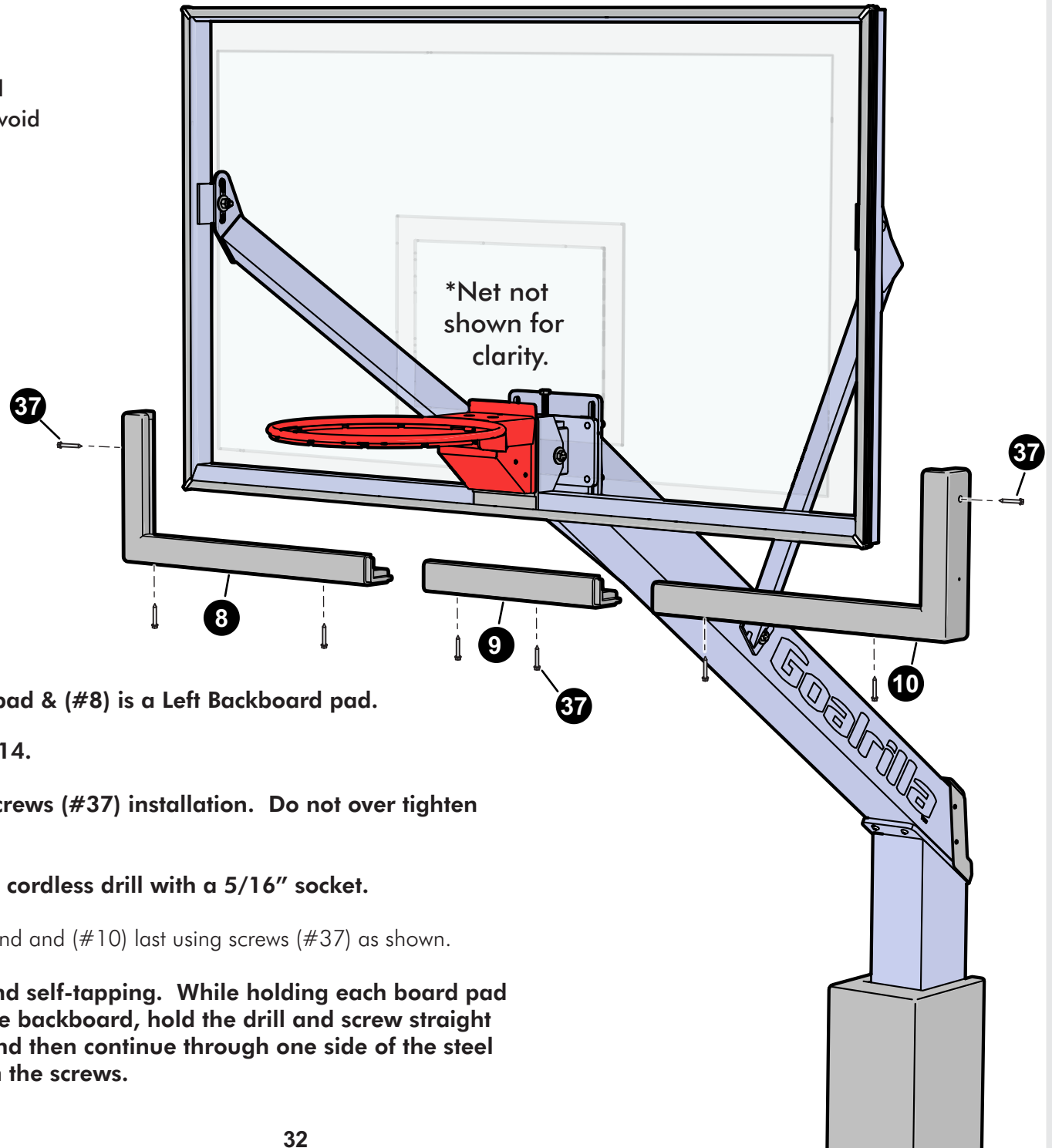
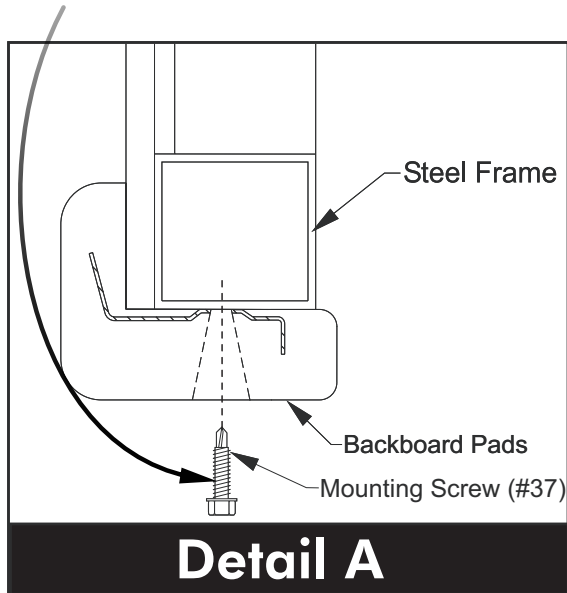
NEVER USE RIM WITH COVERPLATE REMOVED!



13. Secure Post Pad (#7) to front of pole by wrapping straps around the back pole and sticking to velcro on opposite side of pad as shown.



**Important Note:** Cordless Drill and board pad screws must be drilled in **straight** to avoid shattering the backboard glass.



**Note:** Part (#10) is a Right Backboard pad & (#8) is a Left Backboard pad.

**Note:** Safety glasses required for Step 14.

**Note:** A Cordless drill is required for screws (#37) installation. Do not over tighten screws causing screws to strip.

**Note:** To install screws, you must use a cordless drill with a 5/16" socket.

**14.** Secure Backboard pads (#8) first, (#9) second and (#10) last using screws (#37) as shown.

**Note:** Screws (#37) are self-drilling and self-tapping. While holding each board pad in its correct position on the edge of the backboard, hold the drill and screw straight and drill through the aluminum trim and then continue through one side of the steel frame. Tighten, but do not overtighten the screws.



## CARE AND MAINTENANCE

### BACKBOARD CARE AND MAINTENANCE

#### Items needed to clean backboard:

- 100% cotton soft cloth, (only)
- Ammonia-free glass cleaner

Clean backboard using only a **100% Cotton** soft cloth and Ammonia-free glass cleaner. Clean glass as you would clean household windows. Strong cleansers will damage backboard and void the warranty.

### RUST

Inspect your pole periodically, if rust should appear, remove loose paint, sand lightly, primer and paint with exterior flat matte finish enamel paint.

## LIMITED LIFETIME WARRANTY

---

This consumer warranty extends to the original consumer purchase of any MICCA Group Product (hereinafter referred to as the "Product").

**WARRANTY COVERAGE:** MICCA Group warrants to the original Consumer Purchaser that any Product of its manufacture is free from defects in material and workmanship. THIS WARRANTY IS VOID IF THE PRODUCT HAS BEEN DAMAGED BY ACCIDENT, UNREASONABLE USE, NEGLIGENCE, IMPROPER SERVICE, FAILURE TO FOLLOW INSTRUCTIONS PROVIDED WITH THE PRODUCT OR OTHER CAUSES NOT ARISING OUT OF DEFECTS IN MATERIAL OR WORKMANSHIP.

Subject to proper installation and normal Residential use, MICCA Group warrants, subject to the limitations below, to the original retail purchaser all structural components of the Goalrilla™ System to be free of defects in material and workmanship for the duration of ownership by the original retail purchaser.

Merchandise must be shipped prepaid with a copy of proof of purchase to MICCA Group factory for examination to determine if the basketball system needs to be repaired or replaced. Any labor costs, travel expenses and any other changes involved in the removal, installation or replacement of the defective/repairs parts from/to your Goalrilla™ System will be the purchaser's responsibility. Shipping charges for replaced or warranted merchandise sent back to the customer from MICCA Group factory must be prepaid by the customer in advance. If not, the replacement shipment will be sent out collect.

MICCA Group reserves the right to examine photographs or physical evidence of merchandise claimed to be defective, and to recover said merchandise, prior to authorization of warranty claims. A "Returned Goods Authorization" number may be required, please call for details prior to the return of any photographs or merchandise.

This limited lifetime warranty is expressly in lieu of all warranties, expressed or implied, including warranties of merchantability or fitness for use. MICCA Group does not assume or authorize any person or representative to assume for us, any other liability in connection with the sale of our products.

The remedy of repair or replacement stated above is MICCA Group exclusive remedy. MICCA Group will not be liable for any other damages or expenses which may incur, including but not limited to incidental or consequential damages. MICCA Group assumes no other obligations or liability on the part of the purchaser, and MICCA Group neither assumes nor authorizes any other person to assume for it any other liability in connection with the goods sold.

This warranty shall not apply in any manner to parts or accessories not manufactured by MICCA Group.

### NOT COVERED BY THIS WARRANTY

- Any merchandise subjected to Non-residential abuse, negligence, improper installation, vandalism, acts of God, alteration of product, or any other events beyond the control of MICCA Group.
- Paint or rusted parts. Paint kits will be available to assist in normal maintenance.
- Hanging on the rim will void your warranty: Rims are not warranted for any defects other than workmanship. Torn back plates, damaged springs, bent rings, damaged eyebolts, and torn or distorted rim supports result from hanging on the rim and are not warranted.
- Shipping charges both ways. Note: Any merchandise shipped to MICCA Group collect will be refused.
- Dealer service charges, labor charges and travel expenses associated with replacement of repair of warranty item.

**WARRANTY DISCLAIMERS:** ANY IMPLIED WARRANTIES ARISING OUT OF THIS SALE, INCLUDING BUT NOT LIMITED TO THE IMPLIED WARRANTIES OF MERCHANTABILITY AND FITNESS FOR A PARTICULAR PURPOSE, ARE LIMITED IN DURATION. MICCA GROUP SHALL NOT BE LIABLE FOR LOSS OF USE OF THE PRODUCT OR OTHER CONSEQUENTIAL OR INCIDENTAL COSTS, EXPENSES OR DAMAGES INCURRED BY THE CONSUMER OF ANY OTHER USE.

Some states do not allow the exclusion or limitation of implied warranties or consequential or incidental damages, so the above limitations or exclusions may not apply to you.

LEGAL REMEDIES: This warranty gives you specific legal rights, and you may also have other rights which may vary from state to state.

### WARRANTY GUIDELINES IS REQUIRED FOR ALL WARRANTY CLAIMS

1. Proof of Purchase (original retail purchaser) is required for all warranty claims.
2. Call or write MICCA Group to receive a Return Authorization # and determine specific needs.

Phone: 1800-551-443

Or E-mail us at: [information@goalrilla.com.au](mailto:information@goalrilla.com.au)

---