


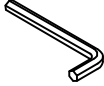


ASSEMBLY INSTRUCTION

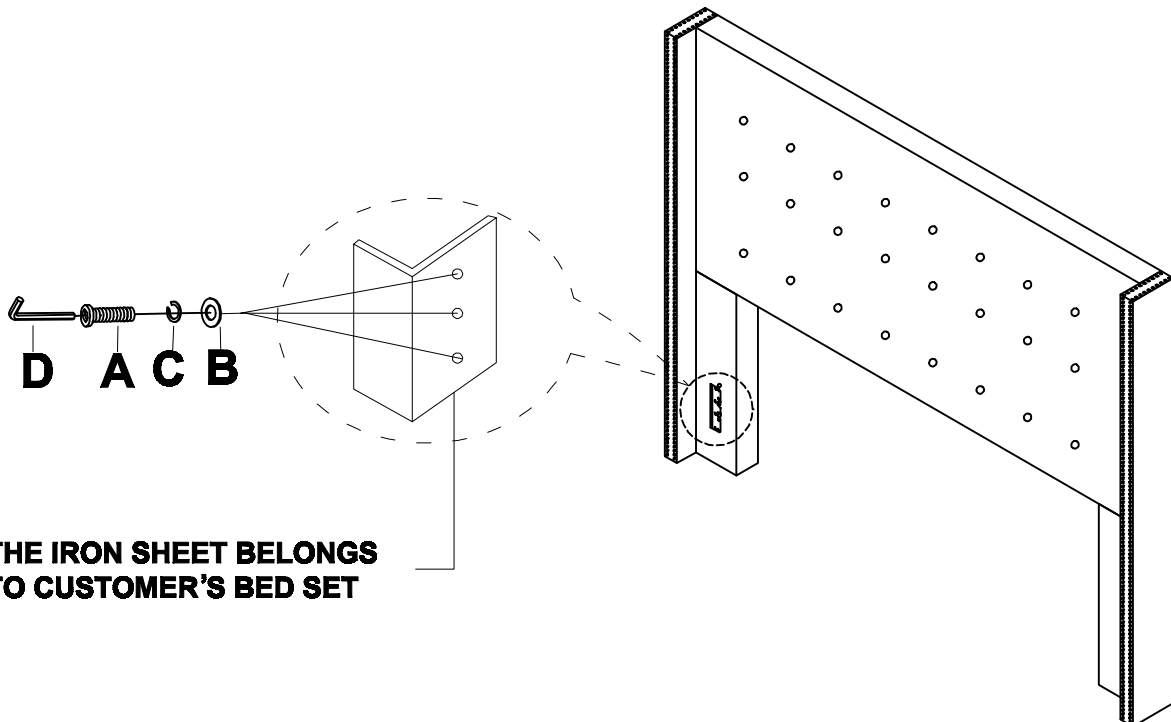
- 1.This Assembly Instruction is for customers using a bolt-on metal bed frame on headboard only.
- 2.Please refer to hardware package with white sticker when using this Assembly Instruction.
- 3.Full/Queen/King Headboard need to use the other Assembly Instruction in the carton to assemble the headboard first, then use this one.
- 4.Twin Headboard is fully assembled, customers only refer to this Assembly Instruction to assemble with their own mattress frame.

HEADBOARD ONLY-SCREW

A Bolt 5/16"*2-3/8"	B Flat Washer 5/16"*22MM	C Lock Washer 5/16"	D Allen Wrench 5MM
			
6PCS	6PCS	6PCS	1PC

Assembly diagram below for attaching bolt-on metal bed frame to headboard only.

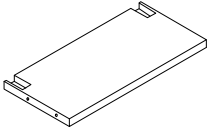
- 1 Attach mattress frame to the headboard, use Bolt(A), Lock Washer(C), Flat Washer(B) as shown turn the Allen Wrench(D) in Bolt(A).



ASSEMBLY INSTRUCTION

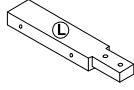
HEADBOARD

A Headboard



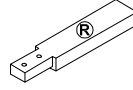
1PC

B Left Headboard Leg
(sticker stick under stretcher)



1PC

C Right Headboard Leg
(sticker stick under stretcher)



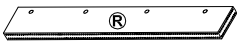
1PC

D Left Headboard Post
(sticker stick under stretcher)



1PC

E Right Headboard Post
(sticker stick under stretcher)



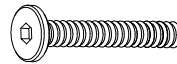
1PC

F Bolt
5/16"*2-3/4"



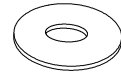
4PCS

G Bolt
5/16"*2"



4PCS

H Flat washer
5/16"*22MM



8PCS

I Lock washer
5/16"

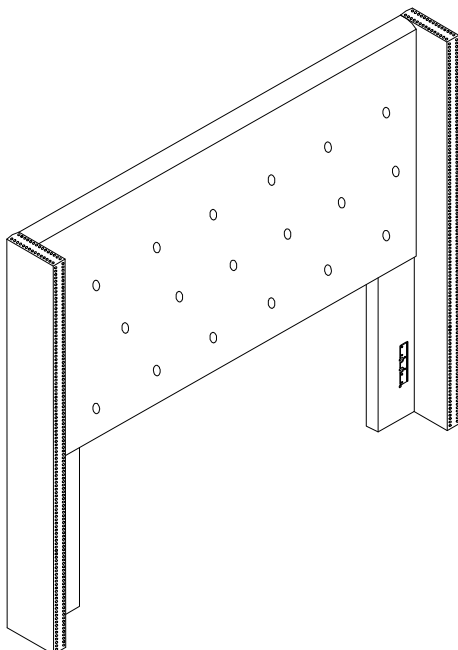


8PCS

J Allen Wrench
5MM



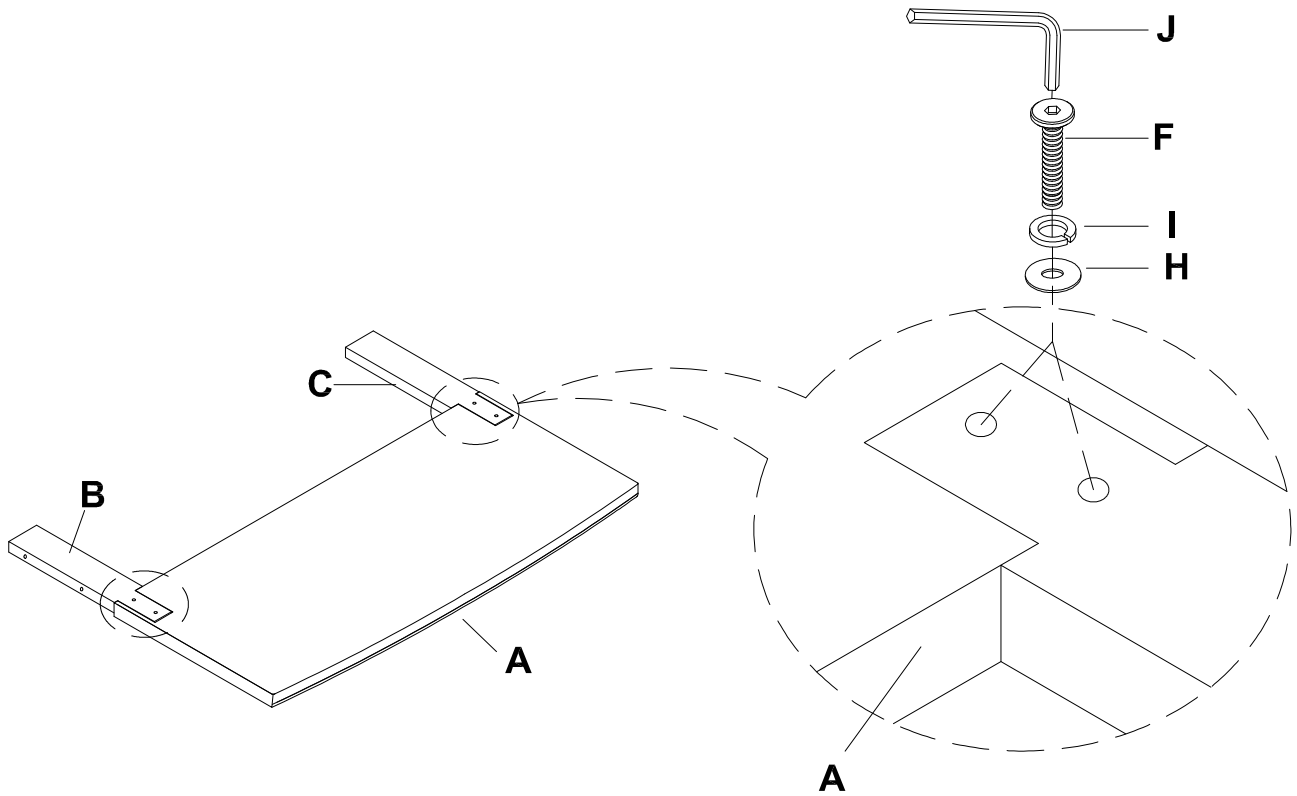
1PC



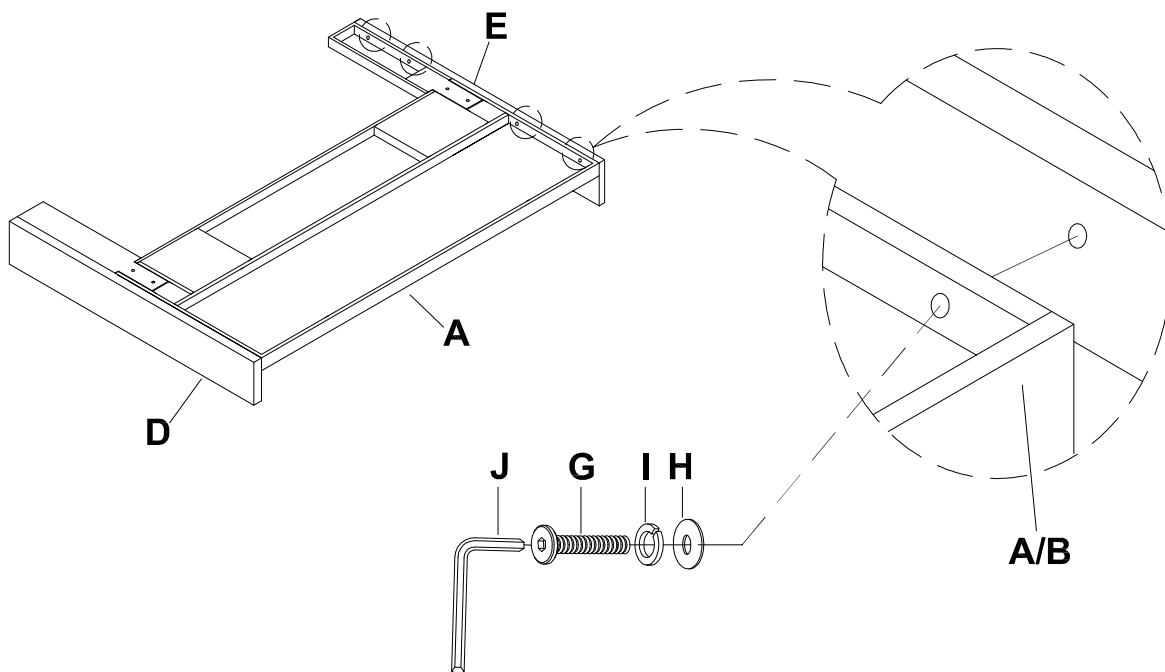
Please take the time to identify the hardware as well as the individual components to this product. As you unpack and prepare for assembly, place the contents on a carpeted or padded area to protect them from damage.

Hardware package with white sticker is for customers using a bolt-on metal bed frame.

- 1** Attached Headboard(A), Left Headboard Leg(B) & Right Headboard Leg(C), Flat Washer(H), Lock Washer(I), Bolt(F) by Allen Wrench(J).



- 2** Attached Left Headboard Post(D) & Right Headboard Post(E) to Headboard(A), Headboard Leg(B,C), Flat Washer(H), Lock Washer(I), Bolt(G) by Allen Wrench(J).

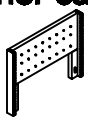
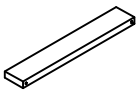

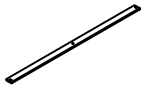
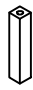
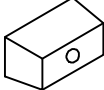


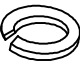


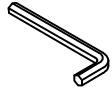




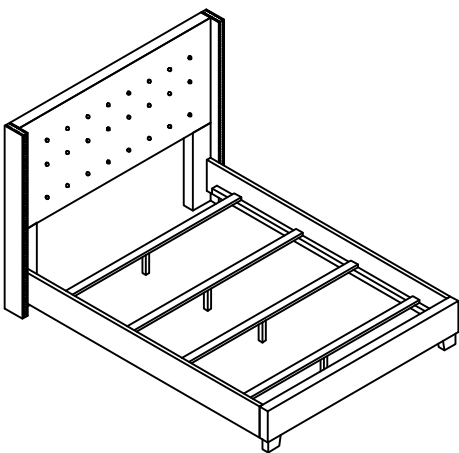
Cleaning & Care

Treat surface with care. Surface is resistant to scratches but is not scratch resistant. Clean scratches with a dry or damp soft cloth. Do not use abrasive cleaners. Hardware may loosen over time. Periodically check that all connections are tight.

ASSEMBLY INSTRUCTION

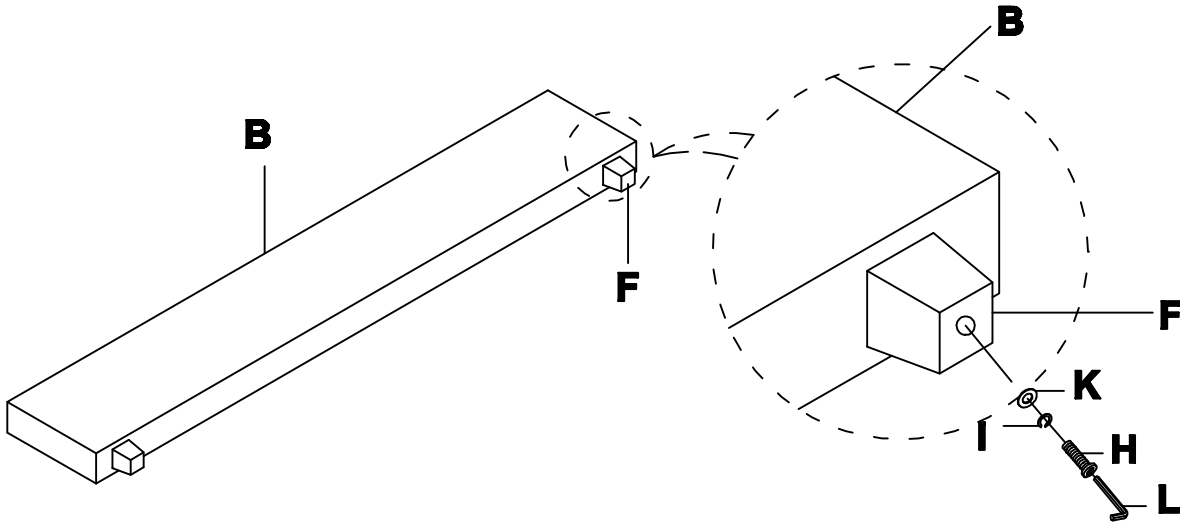
FULL/ QUEEN BED-FOOTBOARD & RAILS & SLATS

A Headboard (In other carton)  1PC	B Footboard  1PC	C Side Rail  2PCS	D Slat  4PCS
E Support Leg  4PCS	F Leg  2PCS	G Bolt 1/4"×1-1/2"  4PCS	H Bolt 5/16"×3"  2PCS
I Lock Washer 5/16"  2PCS	J Flat Washer 1/4"×16MM  4PCS	K Flat Washer 5/16"×19MM  2PCS	L Allen Wrench 5MM  1PC
M Allen Wrench 4MM  1PC	N Self-Tapping Screw #8×1-1/2"  8PCS		

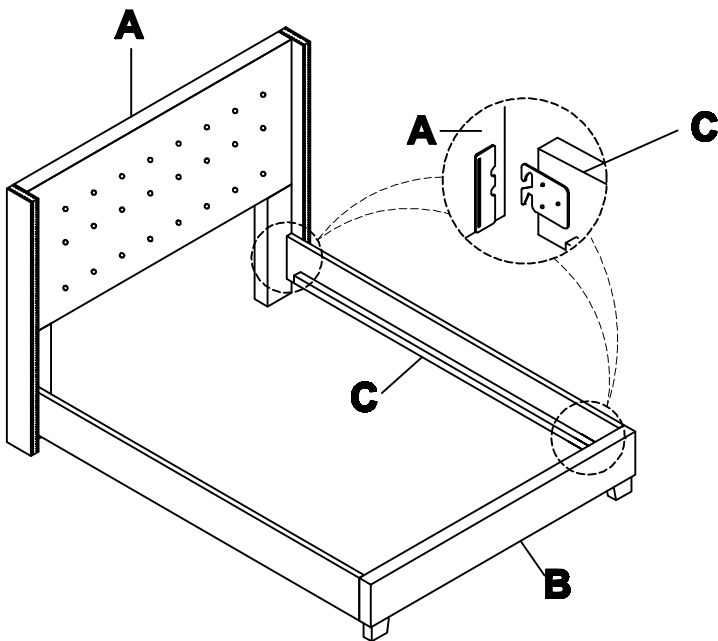


Please take the time to identify the hardware as well as the individual components to this product. As you unpack and prepare for assembly, place the contents on a carpeted or padded area to protect them from damage.

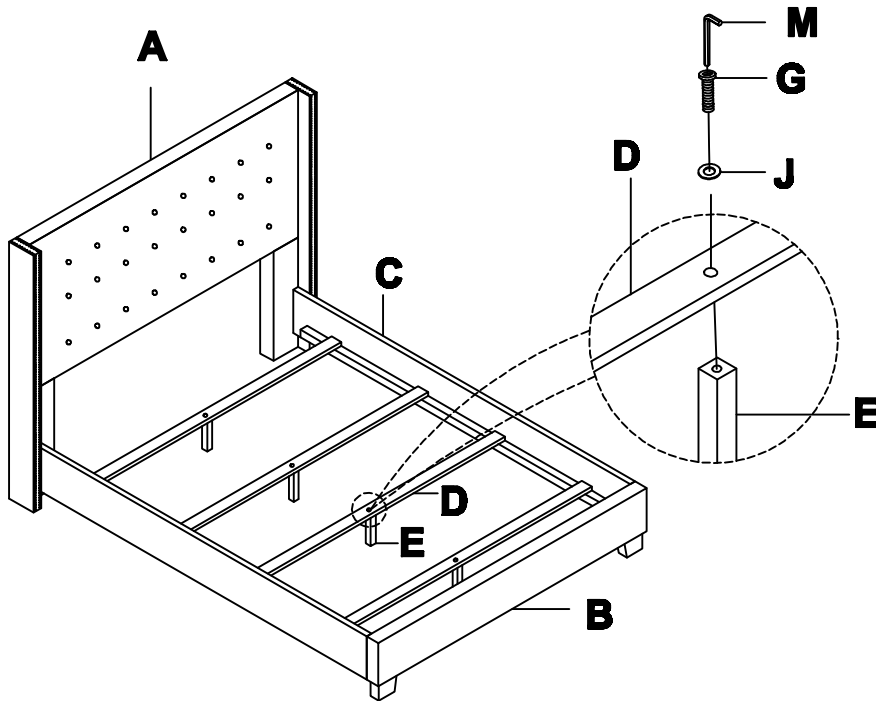
1 Attached Footboard(B), Leg(F), Flat Washer(K), Lock Washer (I), Bolt(H) by Allen Wrench(L).



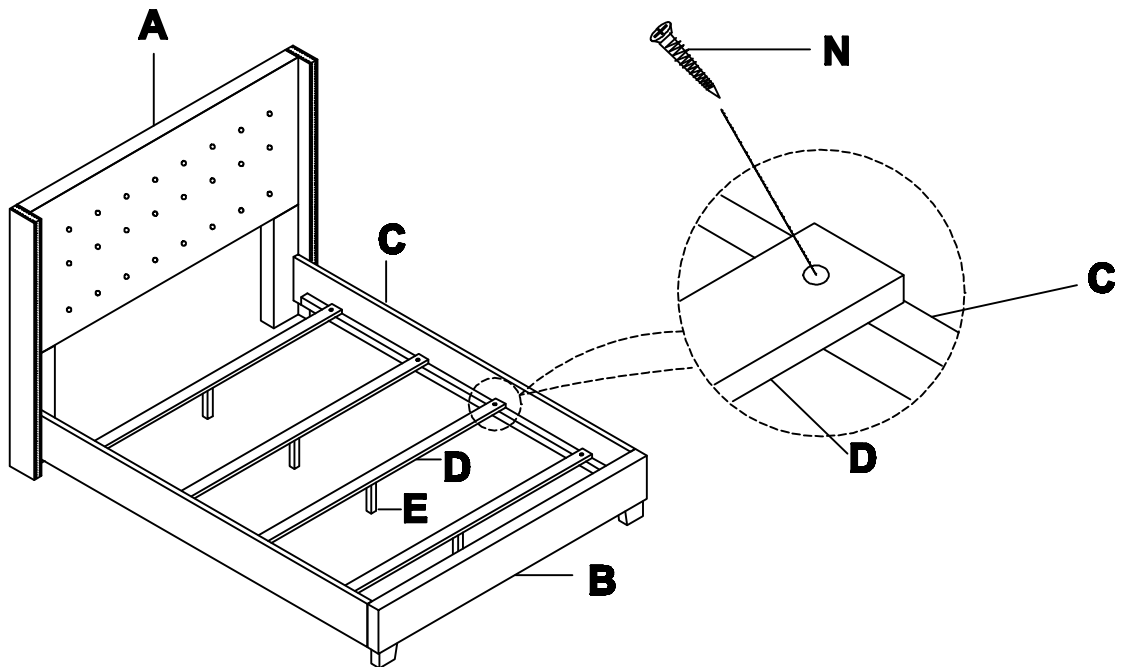
2 Attached Side Rail(C) to the Headboard(A) and Footboard(B).



3 Attached Slat(D), Support Leg(E), Flat Washer(J), Bolt(G) by Allen Wrench(M).



4 Attached Self-Tapping Screw(N) to Side Rail(C).



Cleaning & Care

Treat surface with care. Surface is resistant to scratches but is not scratch resistant. Clean surfaces with a dry or damp soft cloth. Do not use abrasive cleaners. Hardware may loosen over time. Periodically check that all connections are tight.