



# Ensemble™ Curve

60" x 32" Vikrell® shower with Aging in Place backerboards, left drain  
**72180116**



## Features

- 3-1/2" (89 mm) threshold
- Durable high-gloss finish
- Three-piece tongue-and-groove walls with snap-together installation
- Convenient shelves, shaving ledge/footrest
- Aging in Place backerboards
- Modular design allows it to be moved around corners and through doorways with ease
- Curved wall design for a smooth look and feel
- Wall surround includes Aging in Place backerboards for future grab bar installation
- Innovative Dry-Block™ seal and channeled water containment system form watertight seams

## Material

- Made from solid Vikrell® material for strength, durability, and lasting beauty

## Installation

- Alcove
- Left drain
- Caulk-free installation

## Recommended Products/Accessories

K-23726 Drain treatment

## Included Components

72181110 60" x 32" Vikrell® shower base, left drain  
72185106 32" Vikrell® shower end wall set with Aging in Place backerboards  
72372106 60" Vikrell® shower back wall with Aging in Place backerboards



## Codes/Standards

CSA B45.5/IAPMO Z124  
ASTM E162  
ASTM E662  
HUD, UM Bulletin 73


## STERLING® Vikrell® or Acrylic Baths and Shower Bases Ten-Year Limited Warranty

See website for detailed warranty information.

## Available Colors/Finishes

*Color tiles intended for reference only.*

### Color Code Description

	0	White
---	---	-------

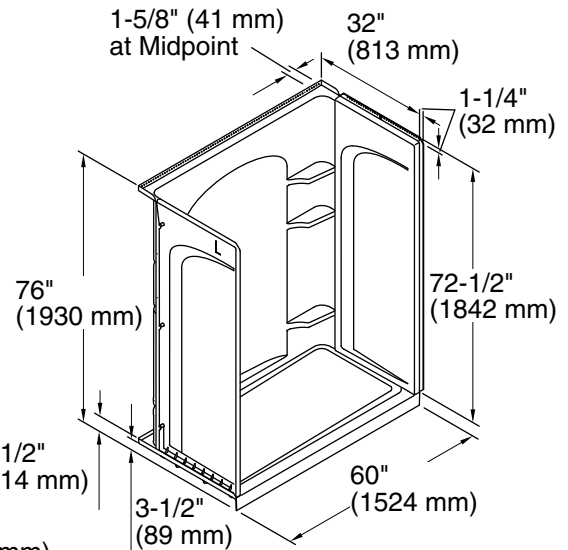
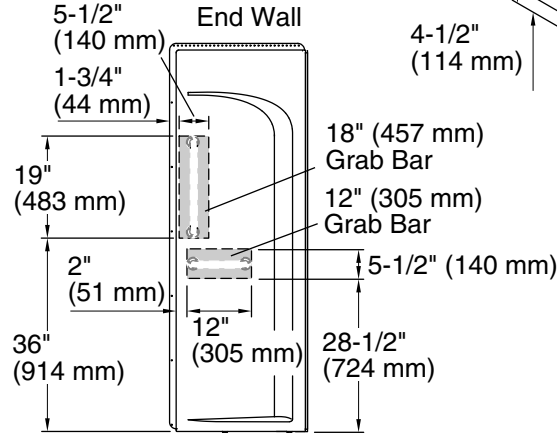
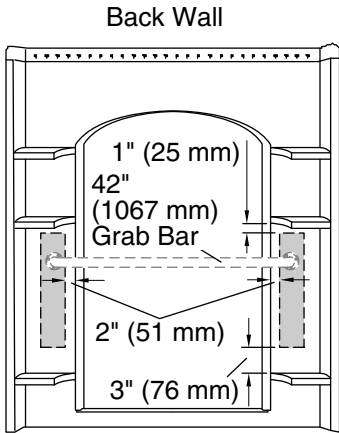
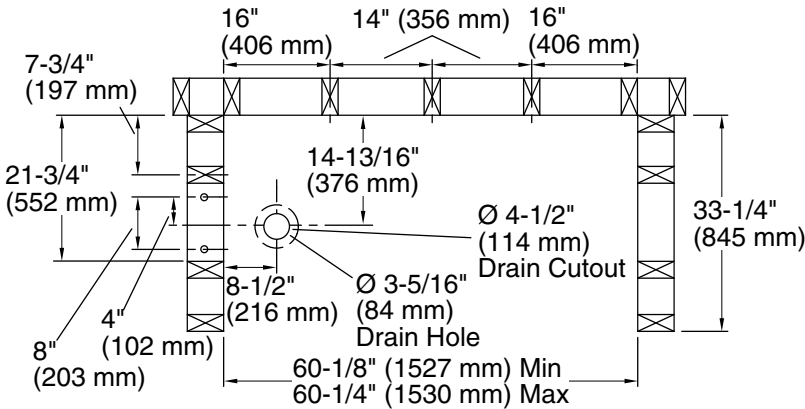
1-800-STERLING (1-800-783-7546)

Kohler Co. reserves the right to make revisions without notice to product specifications.

For the most current Specification Sheet, go to [www.sterlingplumbing.com](http://www.sterlingplumbing.com).

12-19-2025 22:56 - US/CA

**Ensemble™ Curve**  
60" x 32" Vikrell® shower with Aging in Place  
backerboards, left drain  
**72180116**



Note: Right and left end walls are the same, only mirrored.

Backer board locations

**Technical Information**

All product dimensions are nominal.

Drain location:	Left
Weight:	125.4 lbs (56.9 kg)
Minimum flat for door:	3" (76 mm)
Maximum door height:	70-1/2" (1791 mm)
Maximum door width:	56-5/8" (1438 mm)

**Notes**

- Install this product according to the installation instructions.
- Studs should be positioned as shown.
- Double studding is recommended for pivot shower door installations.