



Assembly & Installation Instructions

CAUTION: Read instructions carefully and turn electricity off at main circuit breaker panel before beginning installation.

P3631-XX30K9, P3632-XX30K9

WARNING - If any Special Control Devices are used with this Fixture, Follow the Instructions Carefully to assure full compliance with N.E.C. requirements. If there are any questions, contact a Qualified Electrical Contractor.

CAUTION - All glass is fragile, use care when handling Glass component(s) and or Lamp(s).

WARNING - This product contains chemicals known to the State of California to cause cancer, birth defects and /or other reproductive harm. Thoroughly wash hands after installing, handling, cleaning, or otherwise touching this product.

ASSEMBLY STEPS:

PASOS PARA ENSAMBLAR:

MODE D'ASSEMBLAGE:

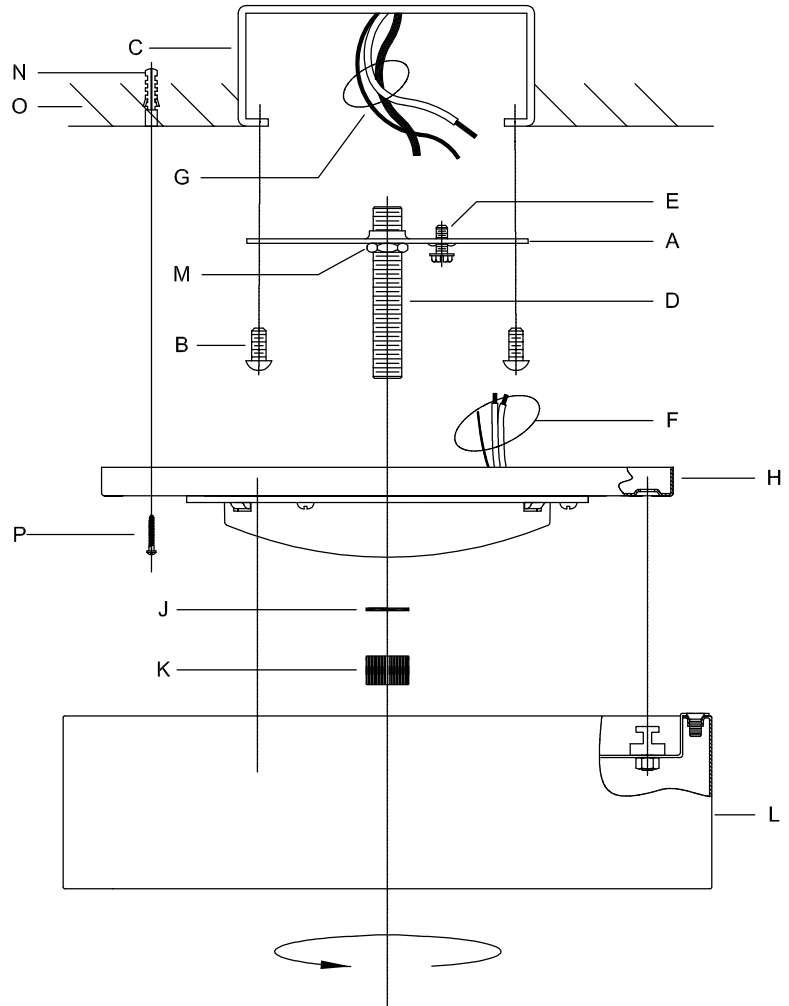
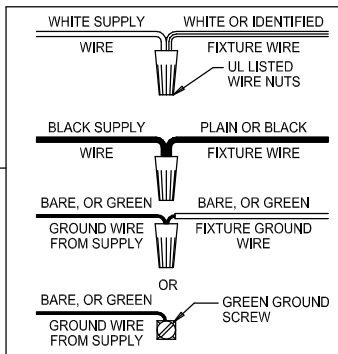
1. D,E _____ A
2. M _____ D
3. B,A _____ C
4. F _____ G
5. N _____ O
6. H,J,K _____ D
7. P _____ N
8. L _____ H

**B, C & G
 (NOT FURNISHED)
 (NO INCLUIDA)
 (NON FOURNIE)**

**ADJUST HEIGHT WITH "D"
 N _____ A (TO LOCK)**

**AJUSTA LA ALTURA CON "D"
 N _____ A (APRETAR)**

**RÉGLEZ LA HAUTEUR AVEC "D"
 N _____ A (À VERROUILLER)**



P3631-XX30K9



P3632-XX30K9