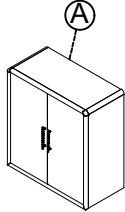


ZINNIA TALL BAR CABINET

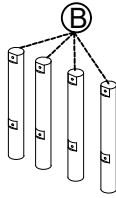
ASSEMBLY INSTRUCTIONS



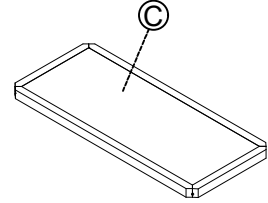
A. CABINET: 1 PC



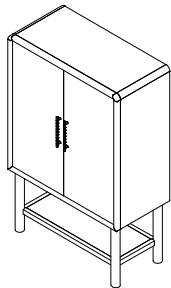
B. LEG : 4 PCS



C. LOWER SHELF: 1 PC



FULLY ASSEMBLED

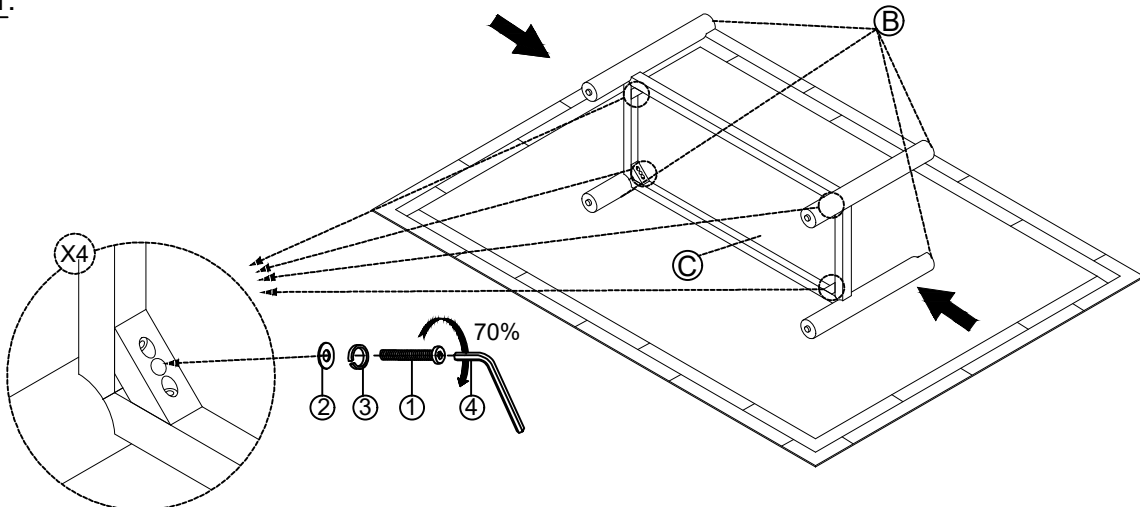


HARDWARE KIT PACKED IN BOX

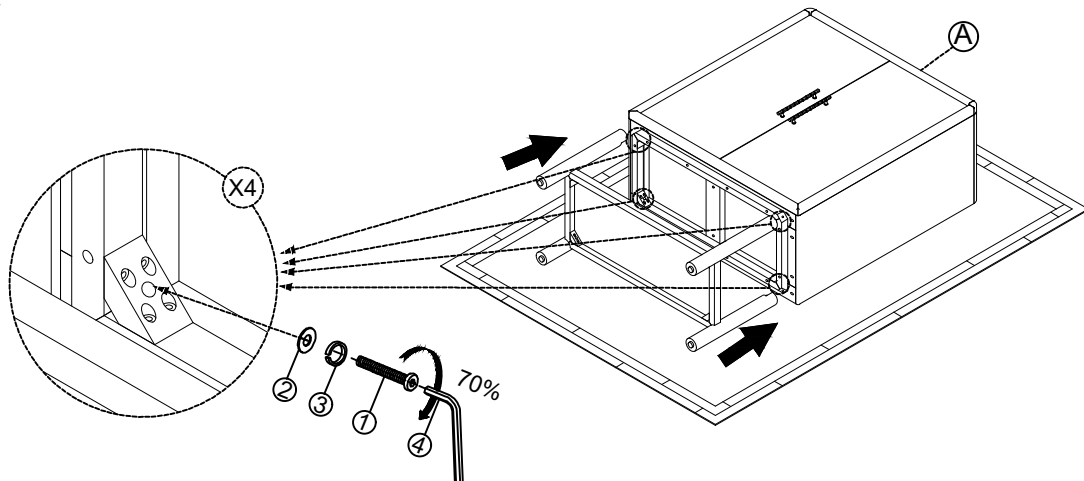
NO.	DESCRIPTION	IMAGE	QUANTITY
1	ALLEN BOLT (5/16"x 3-1/2")		8 PCS
2	FLAT WASHER (5/16")		8 PCS
3	SPRING WASHER (5/16")		8 PCS
4	ALLEN KEY (5mm)		1 PC



STEP #1:



STEP #2:

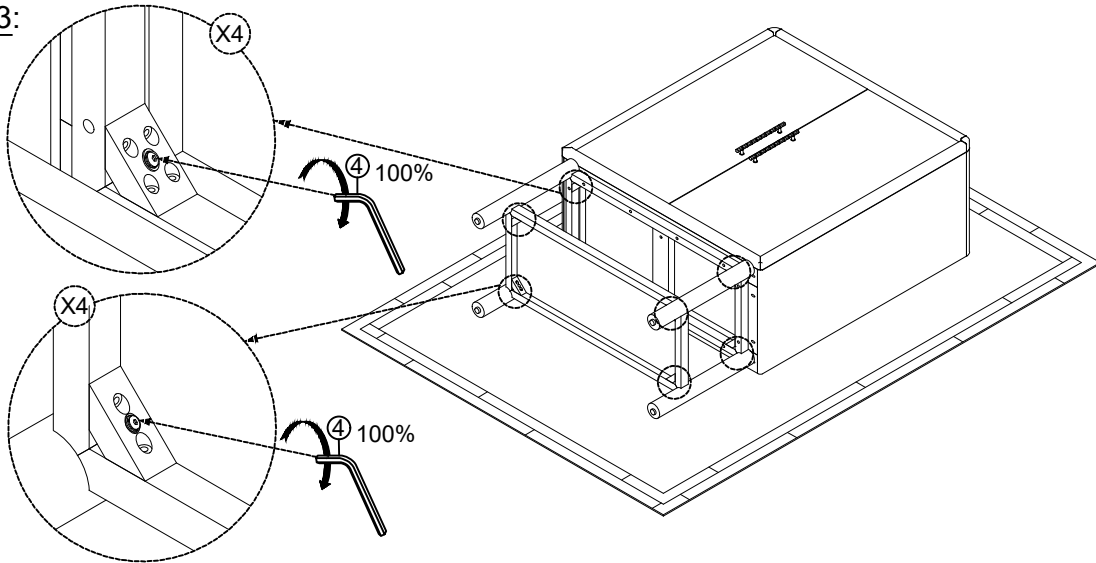


ZINNIA TALL BAR CABINET

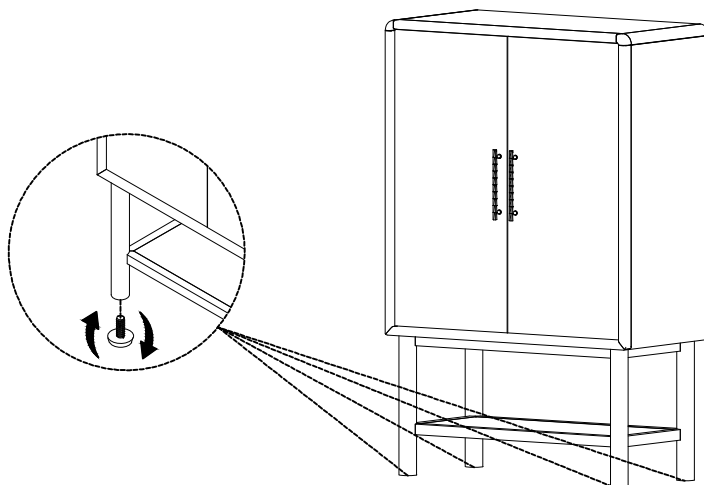
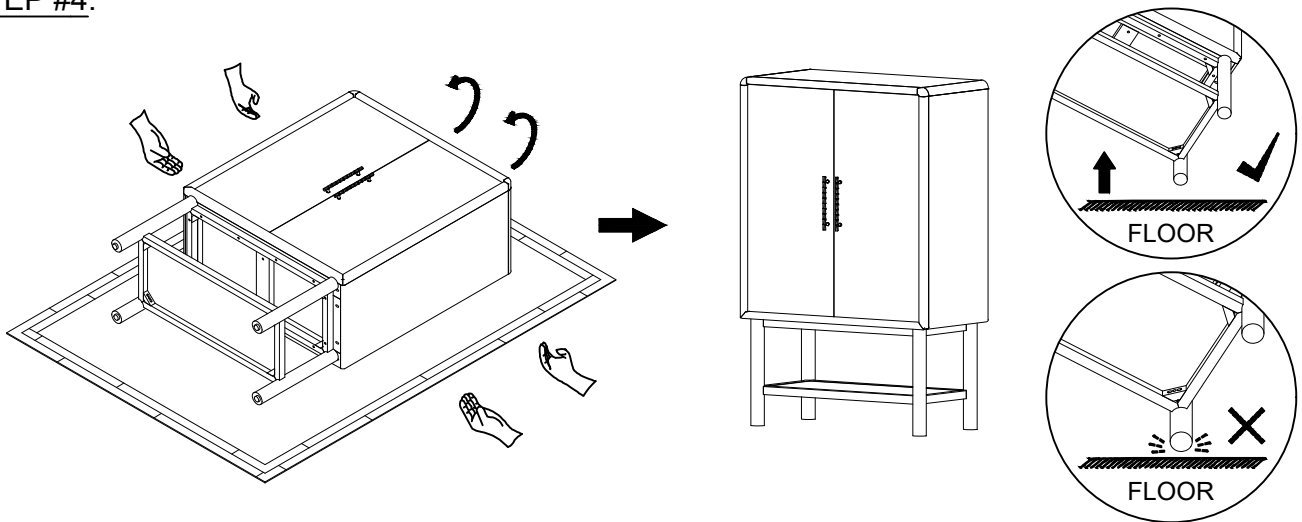
ASSEMBLY INSTRUCTIONS



STEP #3:



STEP #4:



ASSEMBLY COMPLETE