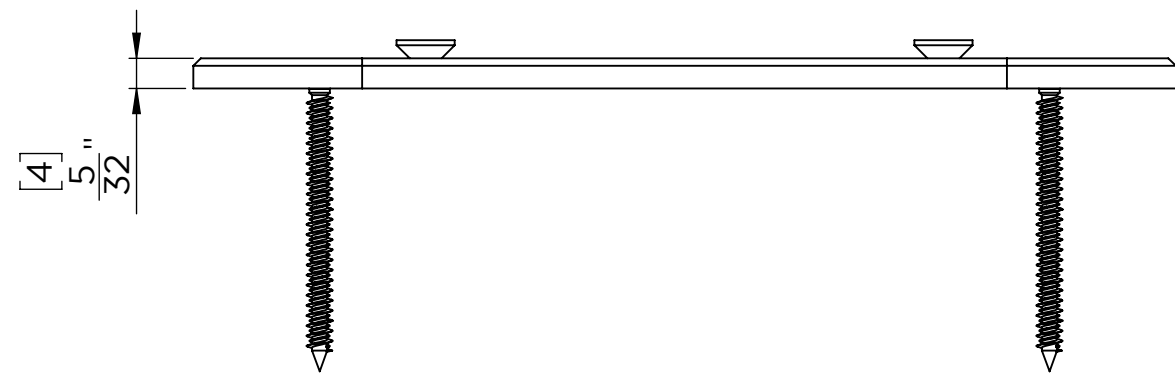
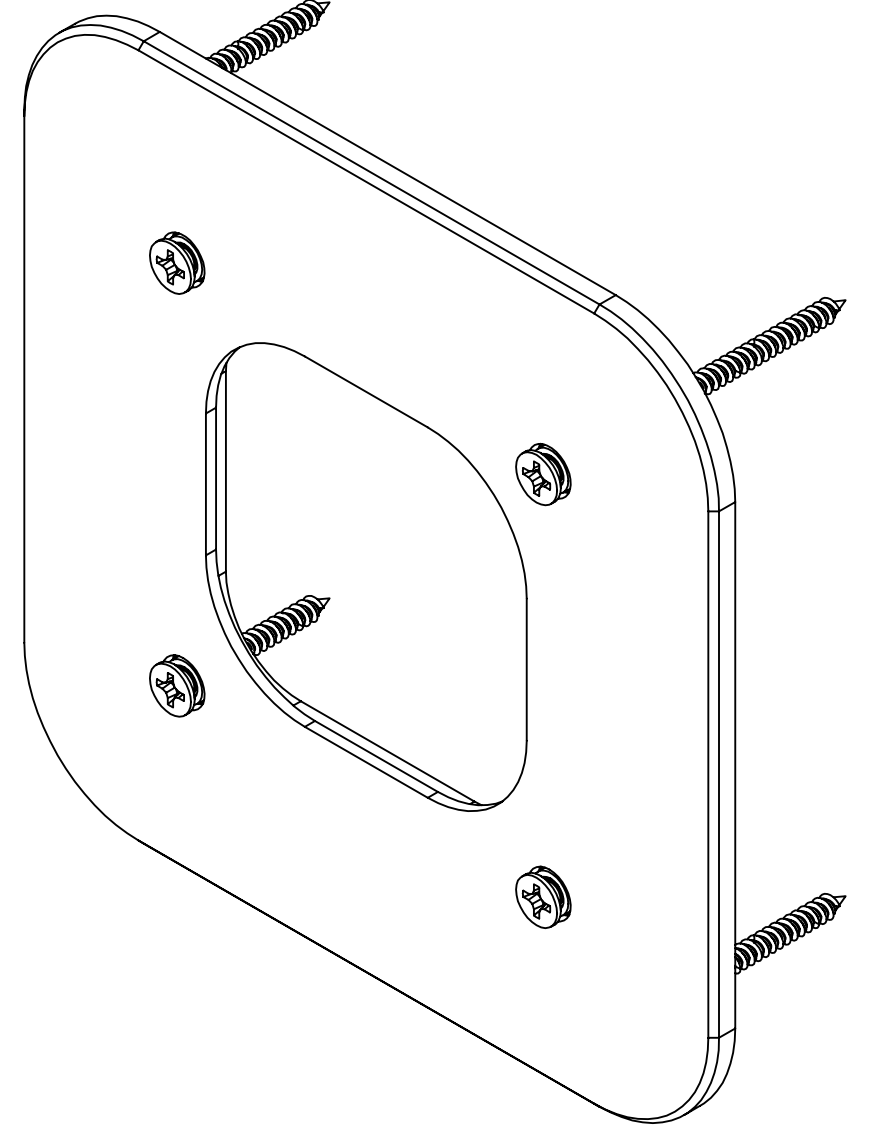
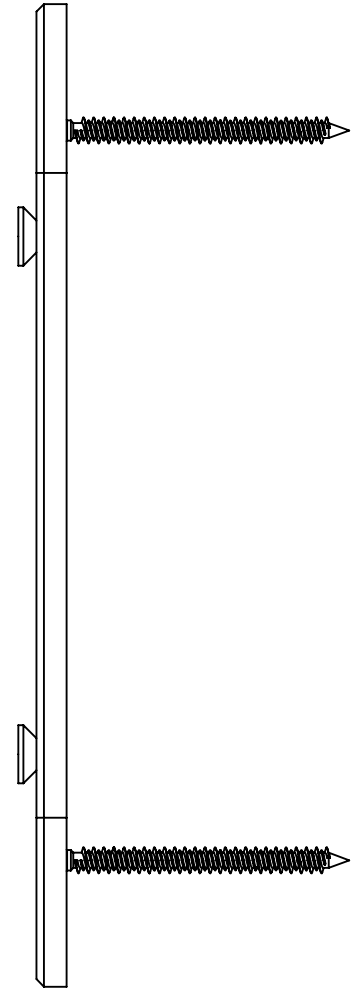
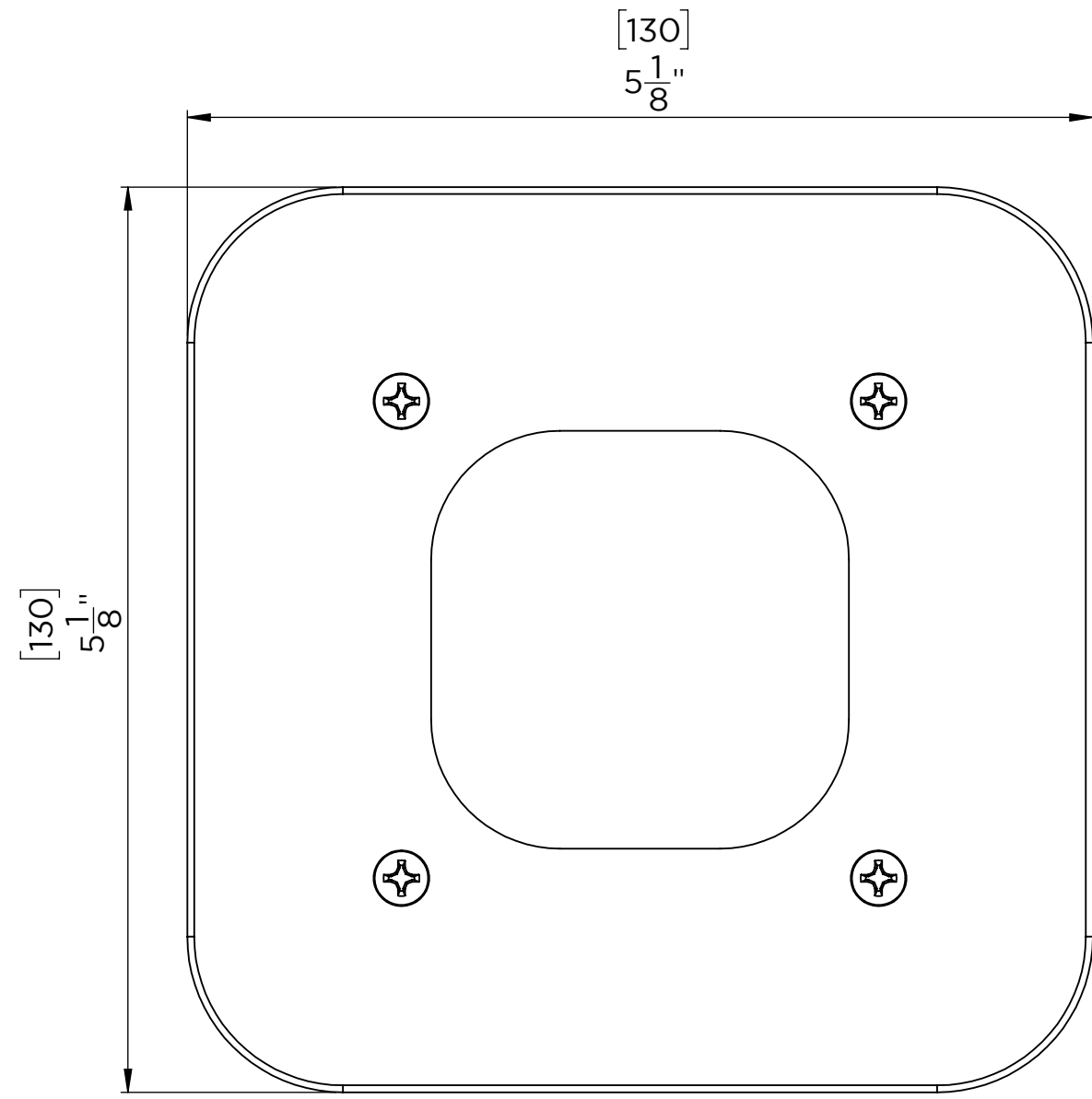


4

3

2

1



4

3

2

1

METRIC/INCHES		IPORT BY SONANCE	
DESIGNED IN SAN CLEMENTE, CALIFORNIA BY IPORT		NAME LX WALL ADAPTER KIT	
NOTICE OF PROPRIETARY INFORMATION: THE INFORMATION CONTAINED HEREIN IS THE PROPRIETARY PROPERTY OF DANA INNOVATIONS. THE POSSESSOR AGREES TO THE FOLLOWING: 1. TO MAINTAIN THIS DOCUMENT IN CONFIDENCE 2. NOT TO REPRODUCE OR COPY IT 3. NOT TO REVEAL OR PUBLISH IT IN WHOLE OR IN PART 4. ALL RIGHTS RESERVED		SIZE B	SKU 71006 71007 71008
SCALE: 1:2		WEIGHT:	SHEET 1 OF 1

B

B

A

A