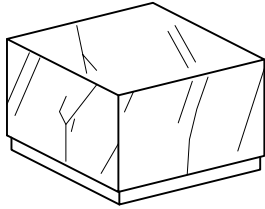


ASSEMBLY INSTRUCTION

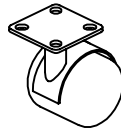
SMALL COCKTAIL TABLE

A Cocktail Table



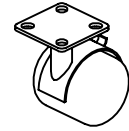
1 PC

B Wheel



2 PCS

C Wheel with Brake



2 PCS

D Screw
4 x 3/4"

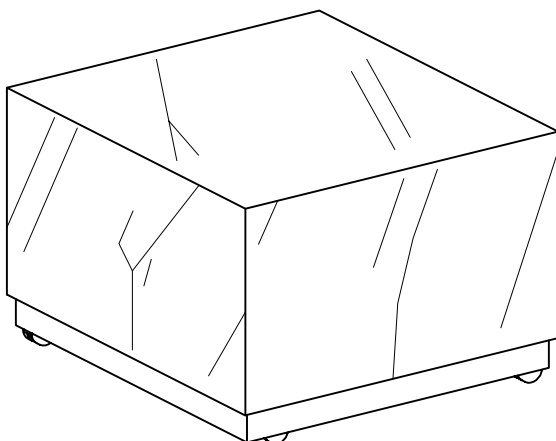


16 PCS

E Electric Drill
(not provided)

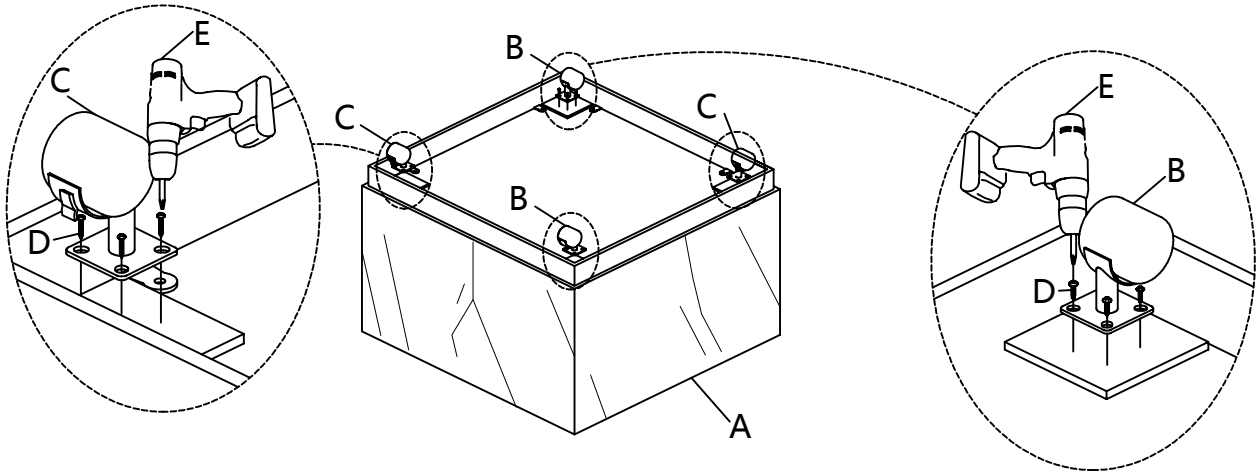


1 PC

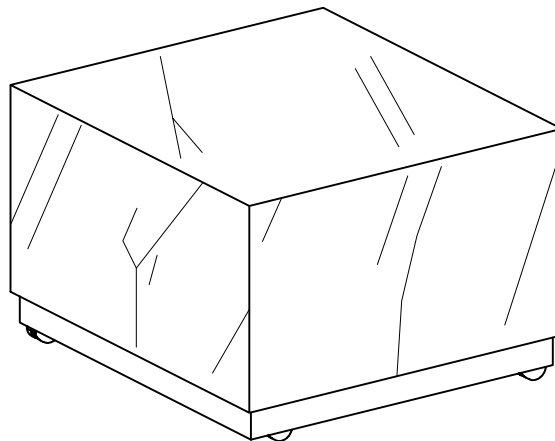


This page lists all the contents included in the box. Please take the time to identify the hardware as well as the individual components to this product. As you unpack and prepare for assembly, place the contents on a carpeted or padded area to protect them from damage.

-
- 1** Place Cocktail Table (A) facedown on a clean surface. Attach Wheel (B) and Wheel with Brake (C) to the bottom of Cocktail Table (A) using Screw (D) and Electric Drill (E) (not provided).



-
- 2** With assistance from your adult partners, turn the Table right way up.



Cleaning & Care

Treat surfaces with care. Surfaces are resistant to scratches but are not scratch resistant. Clean surfaces with a dry or damp soft cloth. Do not use abrasive cleaners. Hardware may loosen over time. Periodically check that all connections are tight.