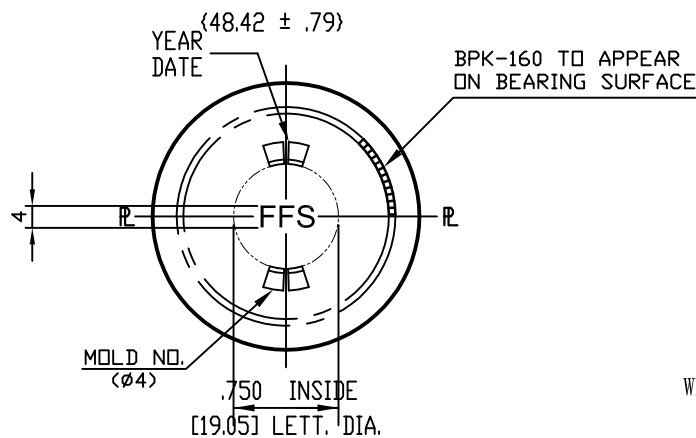


PITCH=3.2mm
 WIDTH=2.2mm
 TURN=1



WEIGHT 92.58 ± 5.32 g
 3.266 ± 0.188 oz.

O. FLOW CAP 128.92 ± 2.77 ml
 4.359 ± 0.094 FL. oz.

DISCLAIMER

THIS INFORMATION IS PROVIDED AS A GENERAL GUIDE, INCLUDING DIMENSIONS. IT IS THE CUSTOMER'S RESPONSIBILITIES TO SELECT THE PROPER CONTAINER FOR PRODUCT AND APPLICATION COMPATIBILITY.

DISTRIBUTED BY:



REF NO.:

DWG30636

DESCRIPTION:

4 oz Glass Boston Round, 24-400