

NEWPORT BATH

Features

Solid brass construction
Traditional styling
Multi-function engine with 3 spray modes
Rubber nozzles facilitate easy cleaning
1/2" NPSM inlet fitting
4" (10.2 cm) showerhead diameter
1.8 GPM (6.8 LPM) Max

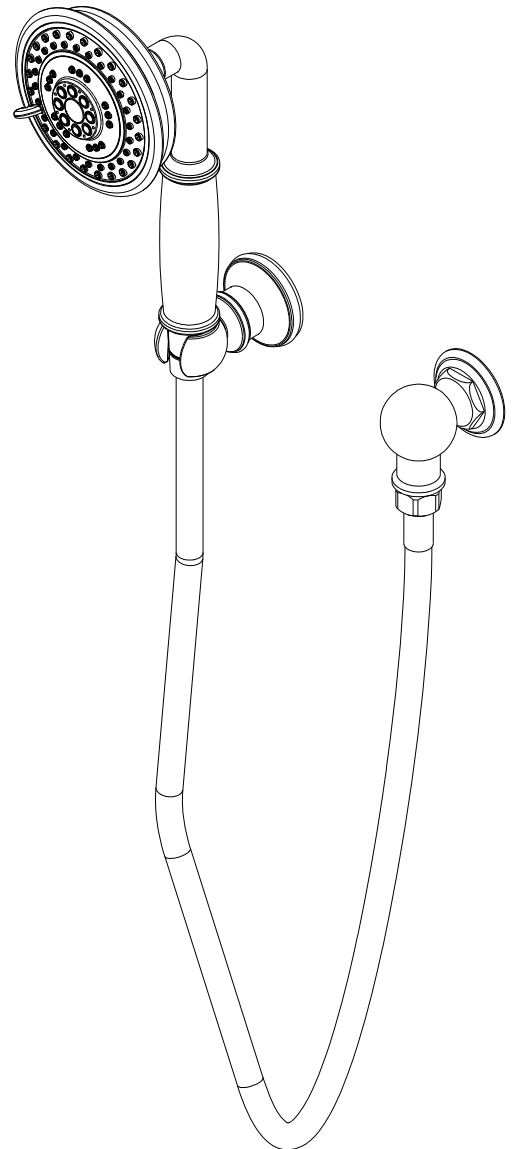
Codes / Standards Compliance

Meets or exceeds the following at date of manufacture:

ASME A112.18.1/CSA B125.1-18
IAPMO/cUPC
IPC
Energy Policy Act of 1992
EPA WaterSense
California Energy Commission
ASME A112.18.3 (Back Flow)
All applicable US Federal and State material regulations

HANDSHOWER SET

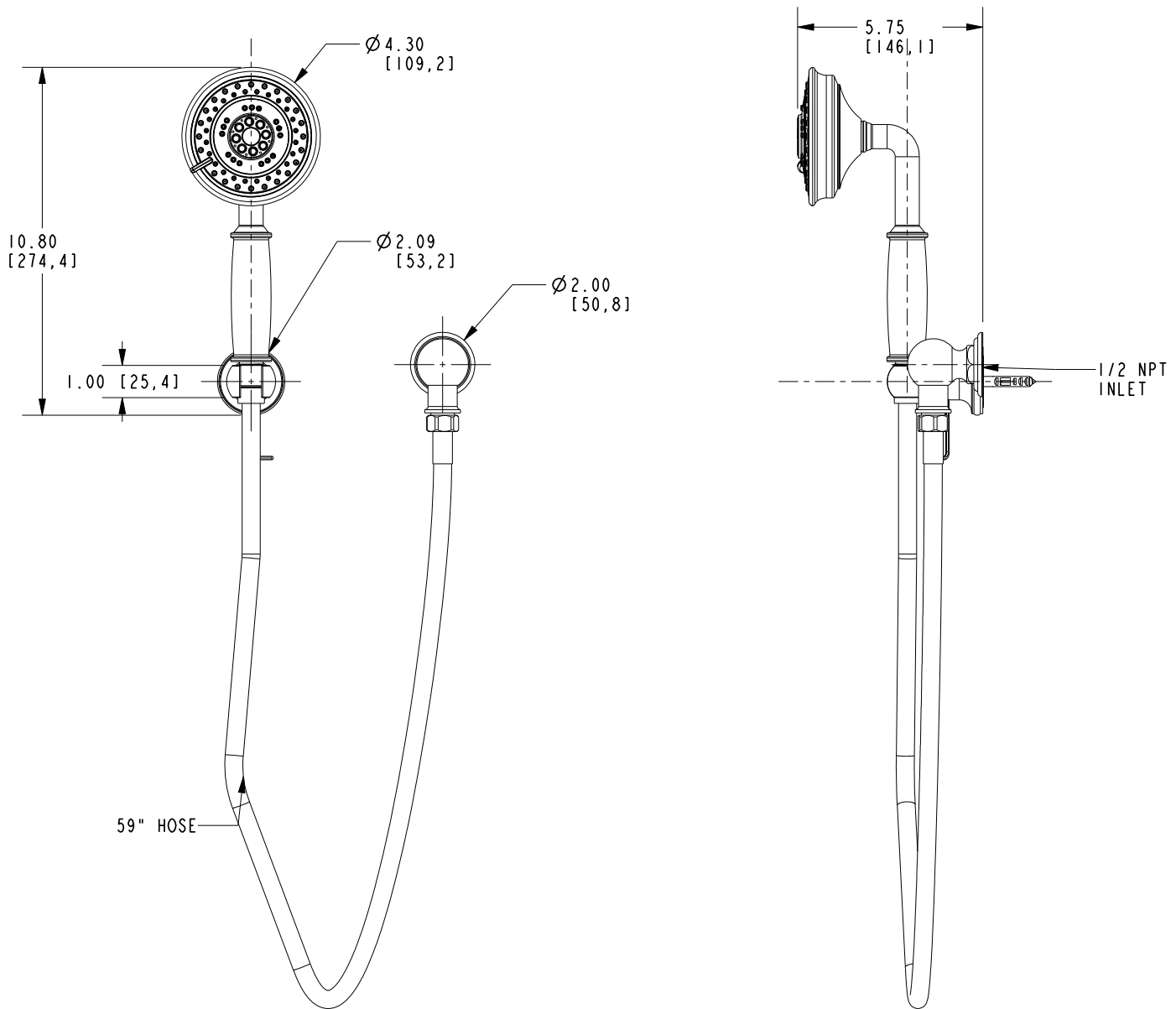
280G



280G

PRODUCT DIMENSIONS *(Units are in inches)*

Product Dimensions are provided for reference only. For specific product installation guidelines, please reference the Installation Instructions of the product being installed.



HANDSHOWER SET

280G

Page 2 of 2
EN- 5005
REV C

NEWPORT BRASS
Flawless Beauty. From Faucet to Finish.

t: 949.417.5207 | www.newportbrass.com
©2025 NewportBrass