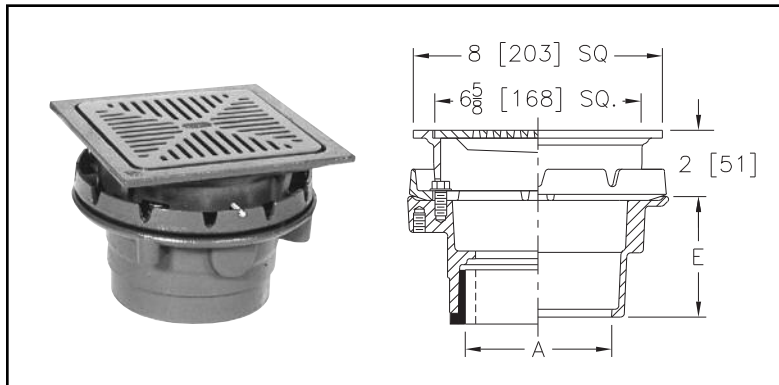


Z158 8" [203 mm] PROM-DECK DRAIN with Heel-Proof Grate



A Pipe Size Inches [mm]	Approx. Wt. Lbs. [Kg]	Grate Open Area Sq. In. [cm²]
2 - 3 - 4 [51-76-102]	18 [8]	11 [71]

ENGINEERING SPECIFICATION: ZURN Z158 8" [203 mm] Square Top Prom-Deck Drain, Dura-Coated cast iron body with square promenade frame and heel-proof grate with combination membrane flashing clamp/gravel guard.

OPTIONS

OUTLETS (Specify pipe size in inches and type of outlet.)

OUTLET TYPE	OUTLET DESIGNATION Pipe Size/Outlet Type	'E' BODY HT. DIM. In./[mm]
Inside Caulk	2IC, 3IC, 4IC	3-7/8" [98 mm]
Threaded	2IP, 3IP, 4IP	2-5/8" [67 mm]
No-Hub	2NH, 3NH, 4NH	3-7/8" [98 mm]
Neo-Loc	2NL, 3NL, 4NL	3-3/4" [95 mm]

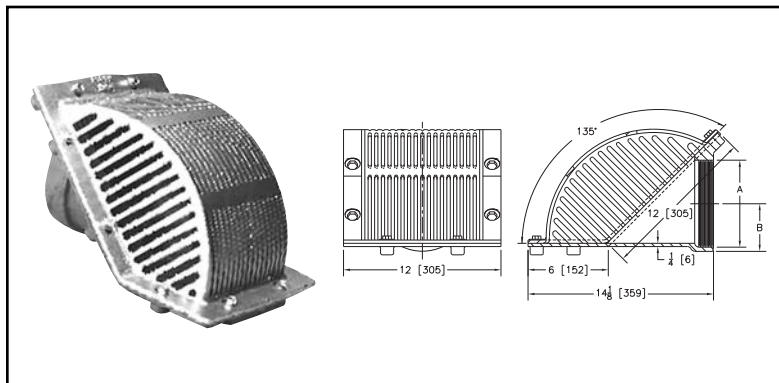
PREFIXES

Z	D.C.C.I. Body with Top*
ZB	D.C.C.I. Body with Polished Bronze Top
ZN	D.C.C.I. Body with Polished Nickel Bronze Top

SUFFIXES

- AR Acid Resistant Epoxy Coated Finish
- C Underdeck Clamp
- DG Duresist Grate (Z Only)
- DP Top-Set® Roof Deck Plate (Replaces both the -C and -R)
- E 2" [51 mm] High Static Extension (Specify Height)
- ES Static Extension with Secondary Clamp Collar at Body (For clamping at roof drain body.)
- G Galvanized Cast Iron
- R Roof Sump Receiver
- S Secondary Strainer
- SC Secondary Clamp Collar
- TC Neo-Loc Test Cap Gasket (2" [51 mm] to 4" [102 mm] NL Bottom Outlet Only)
- TS Top Secured with Slotted Screws
- VP Vandal-Proof Secured Top
- XJ Vertical Expansion Joint (See Z190)
- Y Sediment Bucket
- 85 Stainless Steel Perforated Extension
- 90 90° Threaded Side Outlet Body (2" [51 mm] thru 4" [102 mm]) (Previously Z159)

Z160 135° SCUPPER DRAIN



Dimensions in Inches [mm]		Approx. Wt. Lbs. [Kg]	Grate Open Area Sq. In. [cm²]
A Pipe Size	B		
2 [51]	1-5/8 [41]	52 [24]	114 [735]
3 [76]	2-3/16 [56]		
4 [102]	2-11/16 [68]		
5 [127]	3-1/4 [83]		
6 [152]	3-3/4 [95]		

ENGINEERING SPECIFICATION: ZURN ZRB160 135° Scupper Drain, Dura-Coated cast iron body, plain bronze grate with integral membrane clamp.

OPTIONS

OUTLETS (Specify pipe size in inches and type of outlet.)

OUTLET TYPE	OUTLET DESIGNATION Pipe Size/Outlet Type	'E' BODY HT. DIM.
Threaded	2IP, 3IP, 4IP, 5IP, 6IP	See Chart

PREFIXES

ZRB	D.C.C.I. Body with Plain Bronze Grate*
ZB	D.C.C.I. Body with Polished Bronze Grate
ZN	D.C.C.I. Body with Polished Nickel Bronze Grate

SUFFIXES

- DA Downspout Adapter 2" [51 mm], 3" [76 mm], 4" [102 mm], 6" [152 mm]
- G Galvanized Cast Iron

*Regularly furnished unless otherwise specified.