

4-Ch & 8-Ch Advanced Analytics NVR NVR4.2 & NVR8.2



- Supports Ultra 265/H.265/H.264 video formats
- 4/8-channel inputs
- Plug & Play with 4/8 independent PoE network interfaces
- Supports mainstream cameras of ONVIF conformance (Profile S, Profile G, Profile T) and RTSP protocols
- Supports HDMI and VGA simultaneous output
- Up to 16 Megapixels resolution recording
- ANR technology to enhance the storage reliability when the network is disconnected
- Supports cloud upgrade

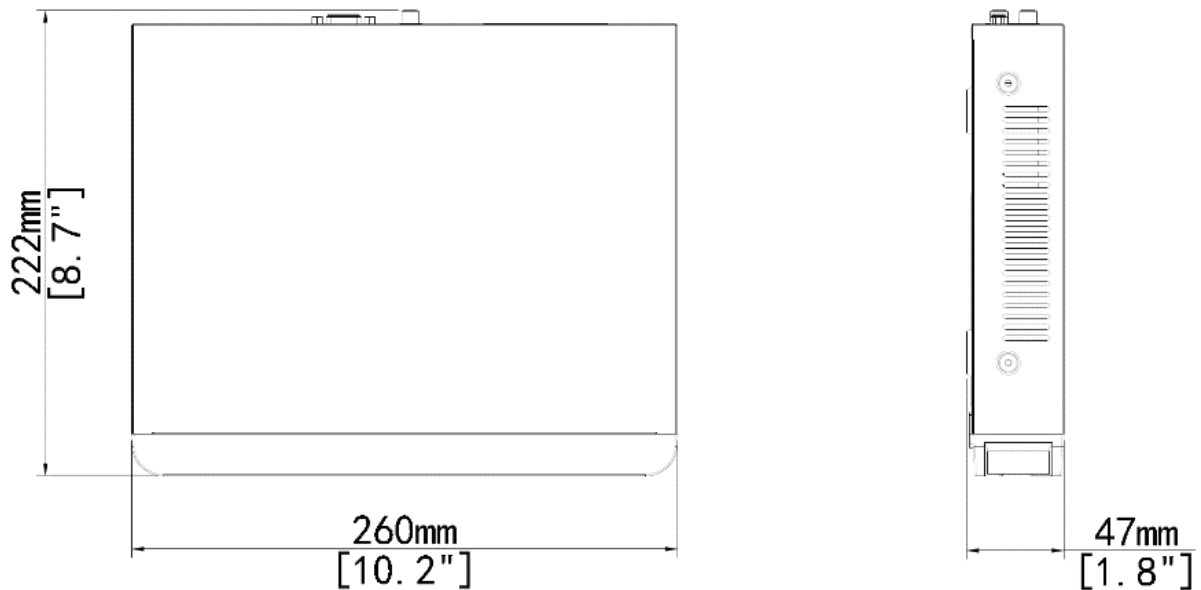
Specifications

	NVR4	NVR8
Decoding		
Decoding Format	Ultra 265, H.265, H.264	
Decoding Capability	Ultra 265/H.265: 2 x 16MP@30, 2 x 12MP@30, 4 x 4K@30 H.264: 2 x 16MP(4800*2688)@30, 2 x 12MP@30, 2 x 4K@30, 4 x 5MP@30	Ultra 265/H.265: 2 x 16MP@30, 2 x 12MP@30, 4 x 4K@30, 6 x 5MP@30, 8 x 4MP@30 H.264: 2 x 16MP(4800*2688)@30, 2 x 12MP@30, 2 x 4K@30, 4 x 5MP@30, 6 x 4MP@30, 8 x 3MP@30
Audio Compression	G.711A, G.711U	
Network		
Incoming Bandwidth	80Mbps	
Outgoing Bandwidth	64Mbps	
Remote Users	128	
Protocols	TCP/IP;P2P;UPnP;NTP;DHCP;PPPoE;HTTP;HTTPS;DNS;DDNS;SNMP;SMTP;RTSP;IPv6	
Browser (Plugin)	Windows:IE(IE10/11), Firefox (version 52.0 and above), Chrome(version 45 and above), Edge(version 79 and above)	
Video/Audio Input		
IP Video Input	4-ch	8-ch
RCA Audio Input	1-ch	

Video/Audio Output		
HDMI/VGA Output	HDMI: 4K(3840x2160)/30Hz, 1920x1080/60Hz, 1920x1080/50Hz, 1600x1200/60Hz, 1280x1024/60Hz, 1280x720/60Hz, 1024x768/60Hz VGA: 1920x1080/60Hz, 1920x1080/50Hz, 1600x1200/60Hz, 1280x1024/60Hz, 1280x720/60Hz, 1024x768/60Hz	
RCA Audio Output	1-ch	
Liveview Display	1/4	1/4/6/8/9
Corridor Mode Screen	3/4	3/4/5/7/9
Two-way Audio		
Two-way Audio	1-ch, RCA (Using the audio input and output)	
Snapshot		
FTP/Schedule/Event Snapshot	4-ch snapshot, up to D1 resolution	
Recording		
Recording Resolution	16MP/12MP/8MP/6MP/5MP/4MP/3MP/1080P/960P/720P/D1/2CIF/CIF	
Smart		
VCA Detection by IPC	Face Detection; SIP (Intrusion Detection, Cross Line Detection, Enter Area, Leave Area); Ultra Motion Detection (UMD); People Counting (People Flow Counting, Crowd Density Monitoring)	
VCA Search	Motor Vehicle Search; Non-Motor Vehicle Search; Human Body Search; General Search; People Counting Report; Heat Map	
Smart by IPC	Total 4-ch (Face Detection, SIP, UMD)	Total 8-ch (Face Detection, SIP, UMD)
Alarm		
General Alarm	Defocus Detection; Scene Change Detection; Object Left Behind; Object Removed; Auto Tracking; Motion Detection; Tampering; Human Body Detection; Video Loss; Alarm Input; Audio Detection	
Alert Alarm	IP Conflict; Network Disconnected; Disk Offline; Disk Abnormal; Illegal Access; Hard Disk Space Low; Hard Disk Full; Recording/Snapshot Abnormal	
GUI Language		
GUI Language	38 languages: Simplified Chinese, Traditional Chinese, English, Vietnamese, Thai, Turkish, Spanish (Latin America), Portuguese (Brazil), Spanish, Portuguese, French, German, Italian, Dutch, Polish, Czech, Hungarian, Slovak, Russian, Hebrew, Arabic, Ukrainian, Estonian, Bulgarian, Greek, Romanian, Danish, Swedish, Norwegian, Finnish, Croatian, Slovenia, Serbia, Korean, Japanese, Latvian, Lithuanian, Persian	
Hard Disk		
SATA	1 SATA Interface	
Capacity	Up to 16TB for each HDD (The maximum HDD capacity varies with environment temperature and hard disk size)	
External Interface		
Network Interface	1 RJ45 10M/100M self-adaptive Ethernet Interface	
USB	Rear panel: 1 x USB2.0, 1 x USB3.0	
RS485	N/A	
RS232	N/A	
Alarm In	N/A	
Alarm Out	N/A	
Power Supply	DC 48V/1.35A	DC 52V/1.8A

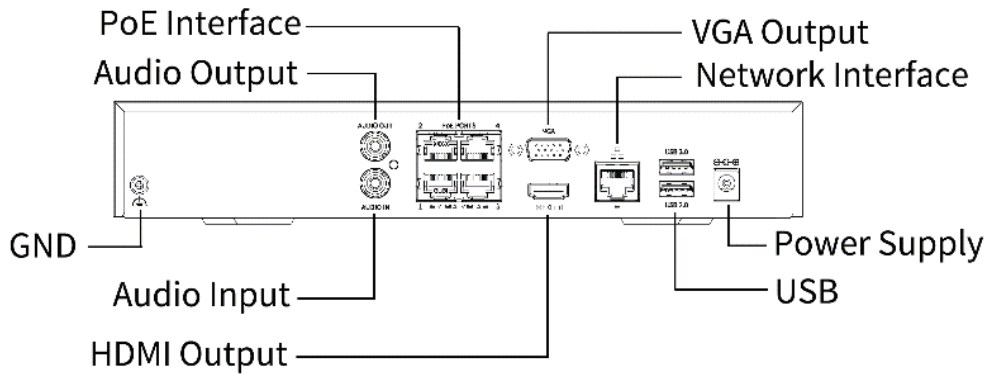
PoE		
Interface	4 RJ45 10M/100M self-adaptive Ethernet Interface	8 RJ45 10M/100M self-adaptive Ethernet Interface
Max Power	Max 30W for single port, Max 50W in total	Max 30W for single port, Max 75W in total
Supported Standard	IEEE 802.3at, IEEE 802.3af	
Working Environment		
Working Temperature	-10°C ~ 55°C (14°F ~ 131°F)	
Working Humidity	≤ 90% RH (non-condensing)	
Power Consumption without HDD)	≤ 10W	
Dimensions		
Weight (without HDD)	≤ 1.1Kg (2.43lb)	
Dimensions	260mm × 222mm × 47mm (10.2" × 8.7" × 1.8")	
Certification		
Certification	CE, FCC, UL, RoHS, WEEE	
CE	EN 55032, EN 61000-3-3, EN IEC 61000-3-2, EN 55035	
FCC	Part15 Subpart B	

Dimensions

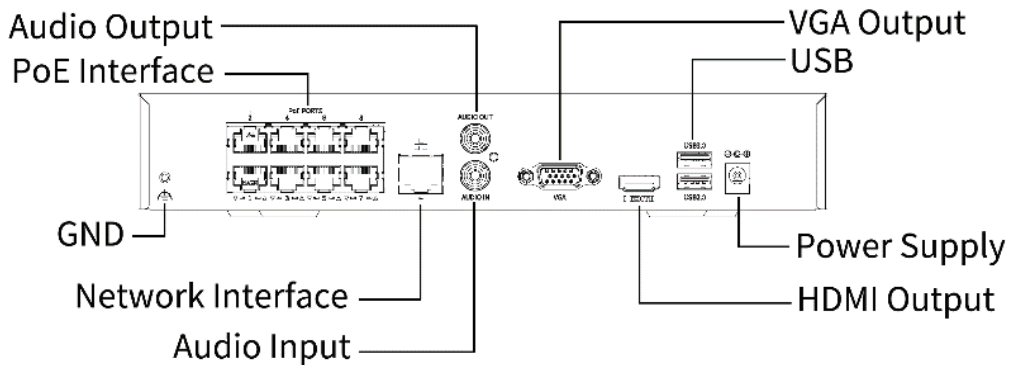


Rear Panel

NVR4.2



NVR8.2



Warranty

All Illumivue products come with a 3-year limited liability warranty. This warranty includes parts and labor repairs on all components found to be defective in material or workmanship under normal conditions of use. This warranty shall not apply to products which have been abused, modified, or disassembled. Warranty items only by authorized resellers. Warranty not eligible for products purchased through non-authorized online sellers.

A product that fails under conditions other than those covered will be repaired at the current price of parts and labor in effect at the time of repair. Such repairs are warranted for 90 days from the date of reshipment to the buyer. If the unit is delivered by mail, customers agree to insure the unit or assume the risk of loss or damage in transit. Under no circumstances will a unit be accepted without a return authorization number. The warranty is in lieu of all other warranties expressed or implied, including without limitations, any other implied warranty or fitness or merchantability for any particular purpose, all of which are expressly disclaimed. Proof of sale may be required in order to claim warranty.