

Bachata® | K-2609-SU

20" oval drop-in/undermount bathroom sink

Features

- Oval basin
- Unique overflow drain
- No faucet holes; requires wall- or counter-mount faucet
- Fits standard 14" x 17" (356 x 432 mm) countertop cutout



Sustainability



Available Colors/Finishes

Color tiles intended for reference only.

- BV Vibrant Brushed Bronze
- 2MB Vibrant Brushed Moderne Brass
- NA Satin



Codes/Standards

ADA, CSA B651 compliant when installed to the specific requirements of these regulations.

ADA CSA B651

ASME A112.19.3/CSA B45.4
ADA
ICC/ANSI A117.1
CSA B651

Technical Information

With Overflow:	Yes
Drain Hole Diameter:	1-5/8" (41 mm)
Minimum Base Cabinet Width:	24" (610 mm)
Basin Configuration:	Single Bowl
Basin Length:	17-1/8" (435 mm)
Basin Width:	14" (356 mm)
Basin Depth:	5-3/4" (145 mm)

Material

- Premium 20-gauge stainless steel

Recommended Products/Accessories

- K-23726 Drain treatment
- K-23729 Stainless steel cleaner
- K-8998 Adjustable P-trap with tubing outlet, 1-1/4" x 1-1/4"

Required Products/Accessories

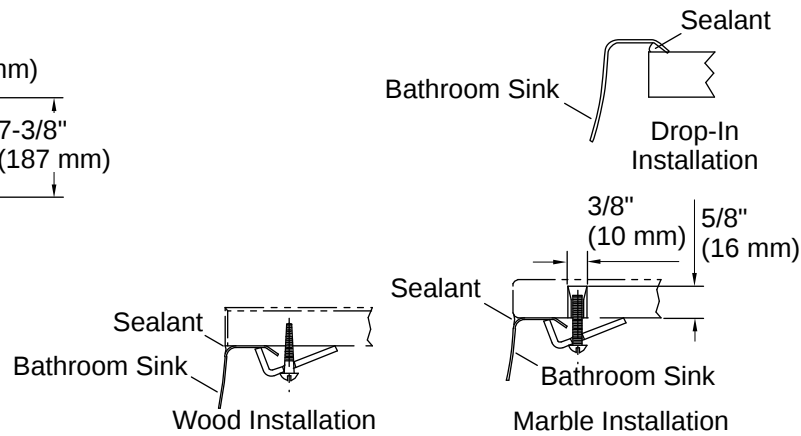
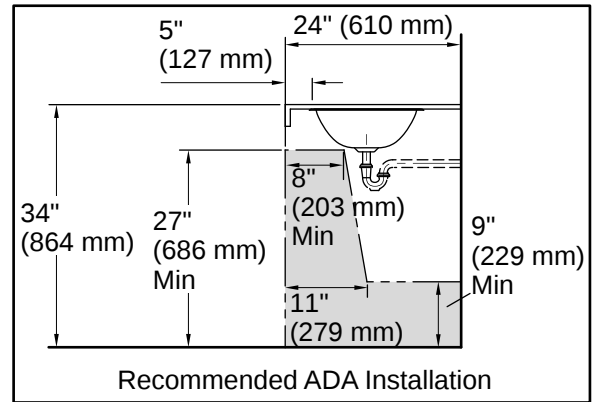
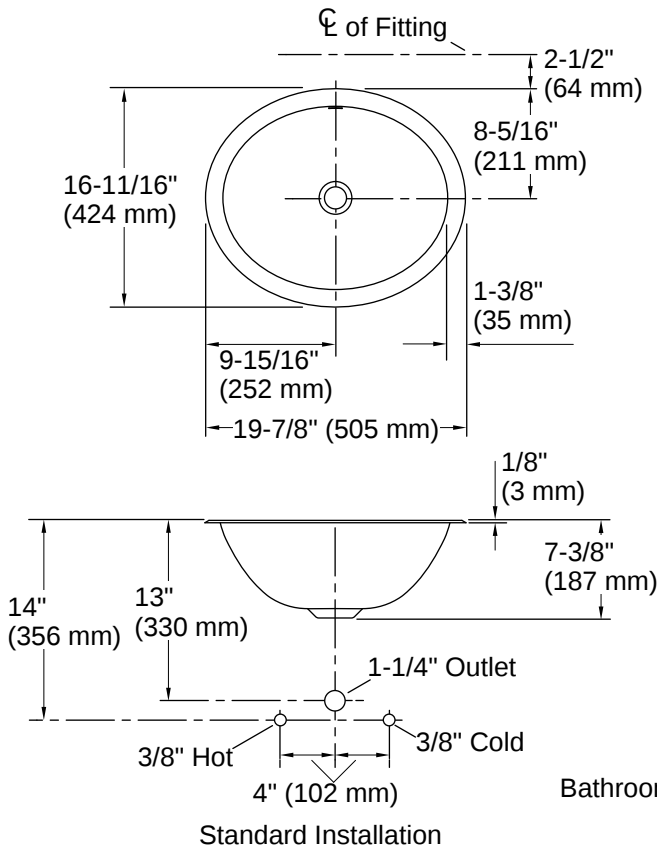
- K-7114-A Premier pop-up drain, exposed, with overflow
- or
- K-7126 Standard pop-up drain, non-exposed, with lift rod
- or
- K-25322 Clicker drain with overflow
- or
- K-7127-A Bathroom sink drain with overflow and non-removable metal stopper
- or
- K-7129-A Bathroom sink grid drain with overflow
- or
- K-7131-A Bathroom sink offset drain with open strainer

Warranty

See website for detailed warranty information.

KOHLER® One-Year Limited Warranty





Installation

- Drop-in or undermount

Installation Notes

Install this product according to the installation instructions.

Installer must supply anchors based on countertop material and thickness.

ADA, CSA B651 compliant when installed to the specific requirements of these regulations.

