







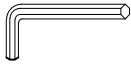
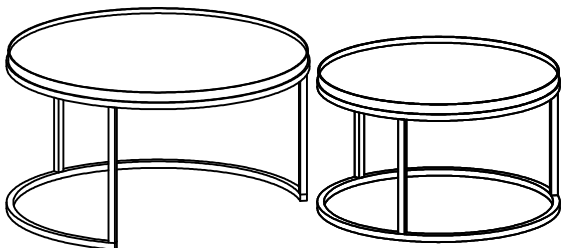


ASSEMBLY INSTRUCTION

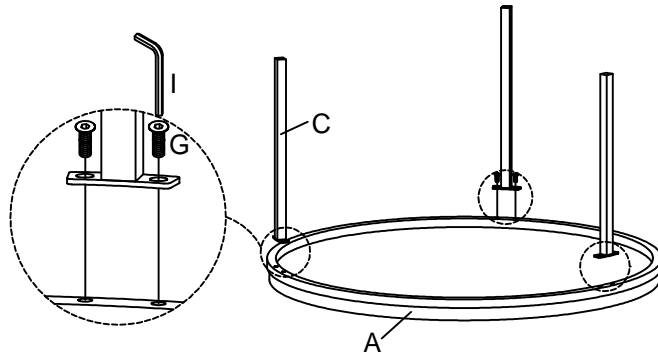
ROUND NESTING COFFEE TABLE

A Large Table Top  1 PC	B Large Table Leg Support  1 PC	C Large Table Leg  3 PCS
D Small Table Top  1 PC	E Small Table Leg Support  1 PC	F Small Table Leg  3 PCS
G Bolt 1/4"*5/8"  12 PCS	H Bolt 1/4"*1-1/4"  6 PCS	I Allen Key M4  1 PC

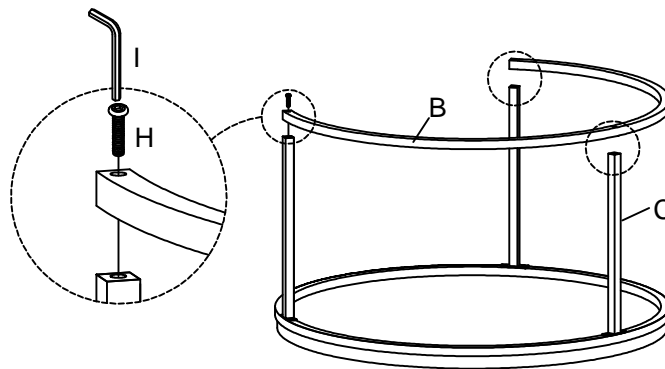


This page lists all the contents included in the box. Please take the time to identify the hardware as well as the individual components to this product. As you unpack and prepare for assembly, place the contents on a carpeted or padded area to protect them from damage.

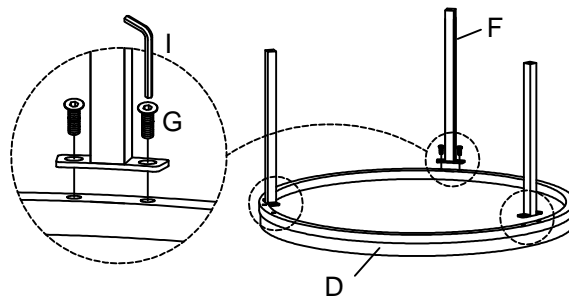
-
- 1** Attach Large Table Leg (C) to Large Table Top (A) using Bolt (G) with Allen Key (I).
Note: At this stage, do not fully tighten the Bolts.



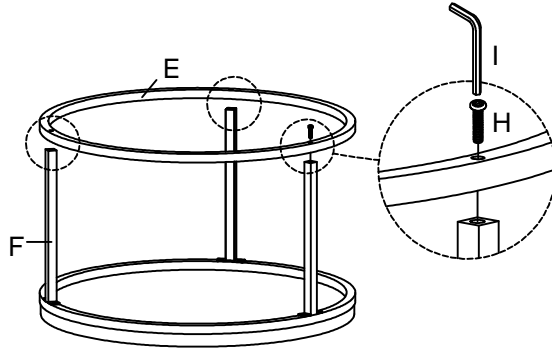
-
- 2** Attach Large Table Leg Support (B) to Large Table Leg (C) using Bolt (H) with Allen Key (I).
Note: At this stage, tighten all Bolts at all joints fully in a sequential manner.



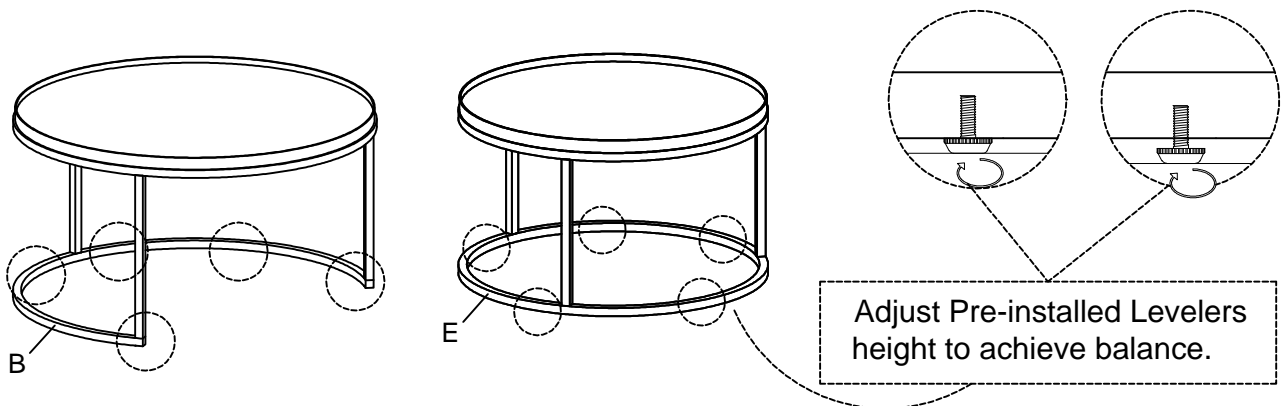
-
- 3** Attach Small Table Leg (F) to Small Table Top (D) using Bolt (G) with Allen Key (I).
Note: At this stage, do not fully tighten the Bolts.



- 4** Attach Small Table Leg Support (E) to Small Table Leg (F) using Bolt (H) with Allen Key (I).
Note: At this stage, tighten all Bolts at all joints fully in a sequential manner.



- 5** Adjust the Pre-installed Levelers at the Large Table Leg Support (B) and Small Table Leg Support (E) until the Nesting Table is level with the ground.



Cleaning & Care

Treat surface with care. Surface is resistant to scratches but is not scratch resistant. Clean surfaces with a dry or damp soft cloth. Do not use abrasive cleaners. Hardware may loosen over time. Periodically check that all connections are tight.