

SONOS[®] | **SONANCE**[®]

INSTALLATION MANUAL

SONOS IN-CEILING
BY SONANCE

Introduction

Thank you for purchasing SONOS IN-CEILING by SONANCE Speakers. When properly installed your new speakers will give you years of entertainment pleasure.

Box Contents

- (2) SONOS In-Ceiling Speakers
- (2) Paintable Grilles
- (2) Mounting Cut-out Templates

Speaker Placement

Stereo Speaker Placement (2-Channel System)

- Place the left and right speakers anywhere from 6 - 10 feet (1.8m - 3m) apart, with the main listening position as close to midway between the speakers as possible.
- In most cases pivoting the woofer and/or midrange/tweeter assembly of each speaker directly towards the main listening position will help maximize the stereo soundstage.

Use the left and right speaker placement in Figures 2 and 3, on the left side of image, as a guide.

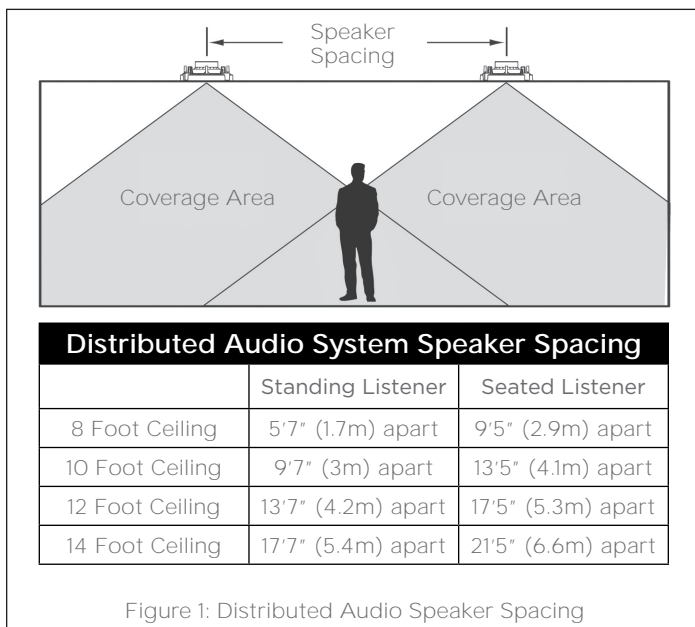


Figure 1: Distributed Audio Speaker Spacing

Home Theater Speaker Placement

Surround Speakers – 5.1-Channel System

- Locate the left and right surround speakers 2 - 6 feet (0.6 - 1.8m) behind the listening position. The speakers should be 6 - 10 feet (1.8 - 3m) apart (see Figure 2).

Surround Speakers – 7.1-Channel System

- Left & Right Surround Speakers:** Place the left and right surround speakers directly to the sides of the listening position, 6 - 10 feet (1.8 - 3m) apart (see Figure 3).

Surround Back Speakers

- Place the surround back speakers 2 - 6 feet (0.6 - 1.8m) behind the listening position. The surround back speakers should be closer together than the left and right surround speakers, 3 - 6 feet (0.9 - 1.8m) apart.

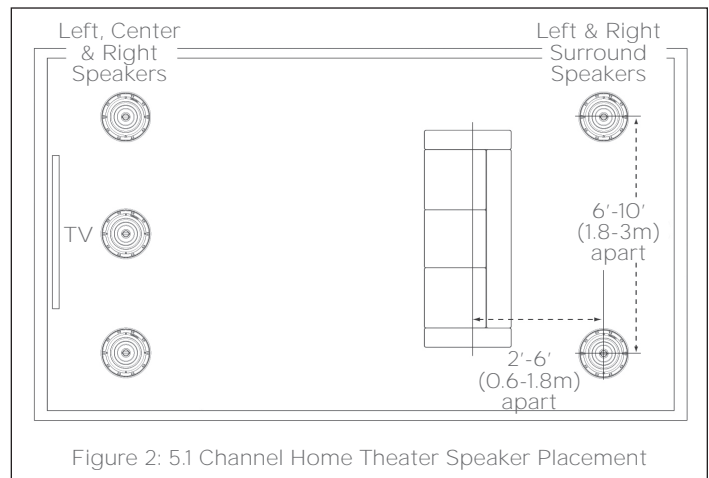


Figure 2: 5.1 Channel Home Theater Speaker Placement

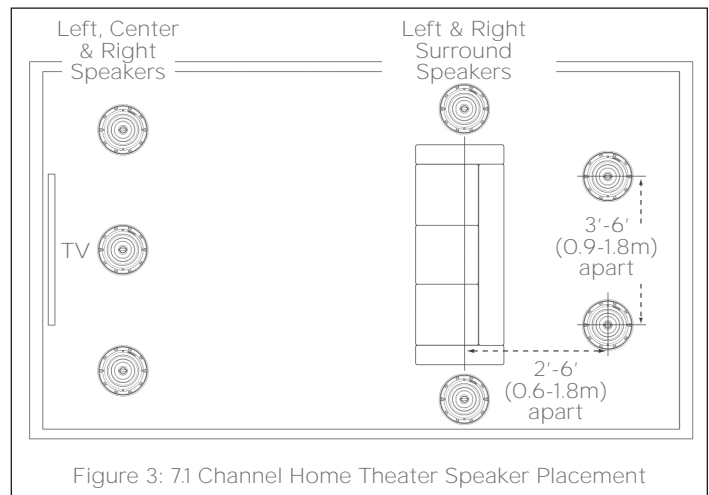


Figure 3: 7.1 Channel Home Theater Speaker Placement

Before Installation

- Determine the location for the speaker (see Speaker Placement above).
- Perform an obstruction survey using a stud finder to be certain that there are no studs, conduit, pipes, heating, ducts, pocket doors or air returns in the ceiling cavity that will interfere with the speaker. If you are unsure about obstructions, drill a small hole in the center of the outline and insert a coat hanger wire into the hole to feel around for possible obstructions.
- Cut the mounting hole using a keyhole or drywall saw, and run the speaker wires from the mounting hole to the amplifier location.

NOTE: CONSULT LOCAL BUILDING CODES BEFORE RUNNING SPEAKER WIRES THROUGH CEILINGS.

Installation

SONOS In-Ceiling by Sonance features integral Roto-Lock® mounting system for quick mounting directly into existing ceilings.

- Strip 1/4 - 1/2" (6 - 12mm) of insulation from each speaker lead. Twist the strands or tin the exposed wire with solder to ensure that there are no stray strands.

NOTE: STRAY STRANDS THAT TOUCH EACH OTHER CAN CAUSE A SHORT-CIRCUIT THAT CAN DAMAGE THE AMPLIFIER.

2. The speaker's terminals are spring-loaded. Push the top of each terminal down to open the connector and insert the exposed wires into the holes in the spring terminals.

The speaker's positive spring terminal is labeled with a red dot; the negative spring terminal is labeled with a black dot. Double check that you connected amplifier "+" to speaker "+" and amplifier "-" to speaker "-".

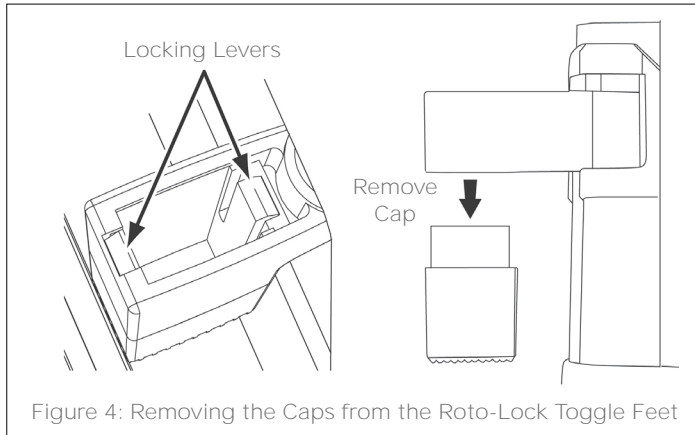


Figure 4: Removing the Caps from the Roto-Lock Toggle Feet

3. Make sure all the Roto-Lock toggle feet are retracted so that they are tucked within the mounting hole's border. Insert the speaker into the hole in the ceiling (see Figure 5). The Roto-Lock system can accommodate a ceiling material thickness of 1-1/4" (32mm) with the toggle foot cap removed the system can accommodate a ceiling material thickness of 1-7/8" (48mm).

4. When installing into double drywall or other thicker ceiling materials, you may need to remove part of the two-piece toggle feet. Use a small screwdriver to gently release the two locking levers (see Figure 4).

5. Tighten the screws on the front of the speaker baffle. The Roto-Lock toggle feet will automatically rotate into position and begin clamping the speaker (see Figure 6). When you notice resistance on the screws the speaker has been clamped successfully.

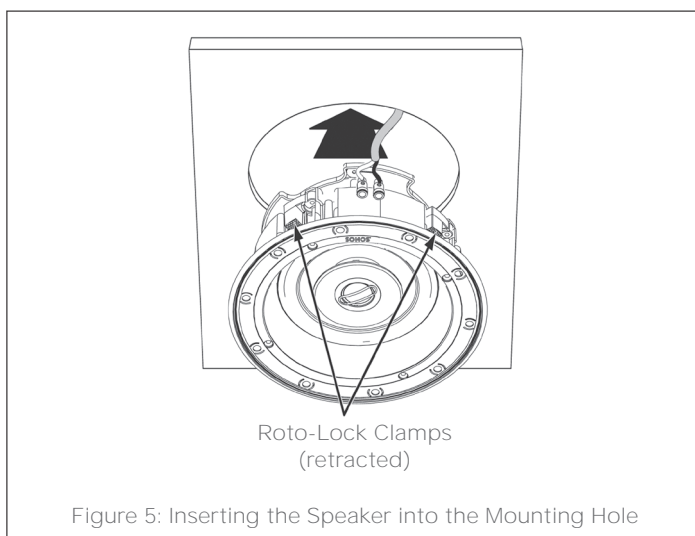


Figure 5: Inserting the Speaker into the Mounting Hole

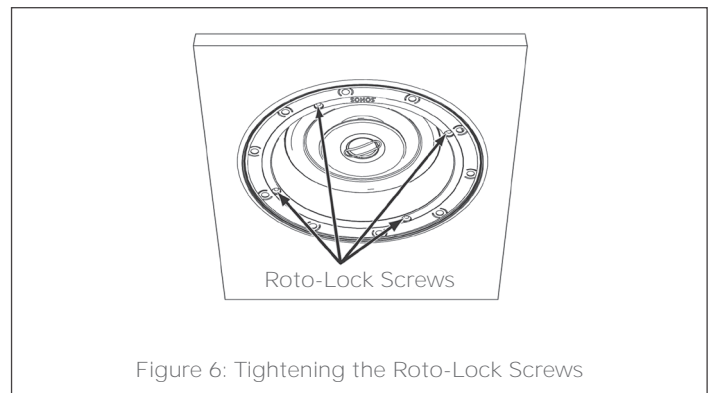


Figure 6: Tightening the Roto-Lock Screws

IMPORTANT: ALWAYS USE LOW TORQUE SETTINGS; NEVER OVER-TIGHTEN.

NOTE: ADJUST THE TENSION OF THE ROTO-LOCK CLAMPS SO THAT THE SPEAKER FRAME IS FLAT. THIS WILL HELP ENSURE THAT THE GRILLE CONTACTS THE CEILING ALL THE WAY AROUND THE SPEAKER FOR A PROPER FIT.

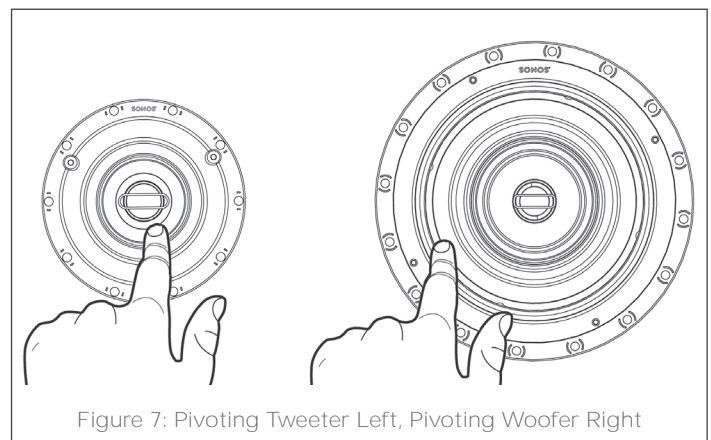
6. The micro-trim grille is held in place by several small, powerful magnets on the speaker frame. Place the grille against the speaker and the magnets will hold it firmly in place. When properly installed, the grille trim should make contact with the wall all the way around the speaker.

Speaker Adjustments

Pivoting Woofer and Midrange/Tweeter

SONOS In-Ceiling speakers have a pivoting woofer and a pivoting midrange/tweeter assembly. If you're using the speakers in stereo or as the front left/center/right speakers in a home theater, pivot the drivers directly towards the listening area. If you're using the speakers as surround channel speakers in a home theater, pivot the drivers towards a wall or window, away from the listeners.

To pivot the drivers apply light pressure to the ring around the outside edge of the woofer, midrange and tweeter cone, as shown in Figure 7. Take care not to touch or apply pressure to the cone itself.



Unlocking Sonos Audio Enhancements

Sonos In-Ceiling by Sonance speakers include exclusive audio enhancements when used with a Sonos Amp. Use the free Sonos app to unlock them.

