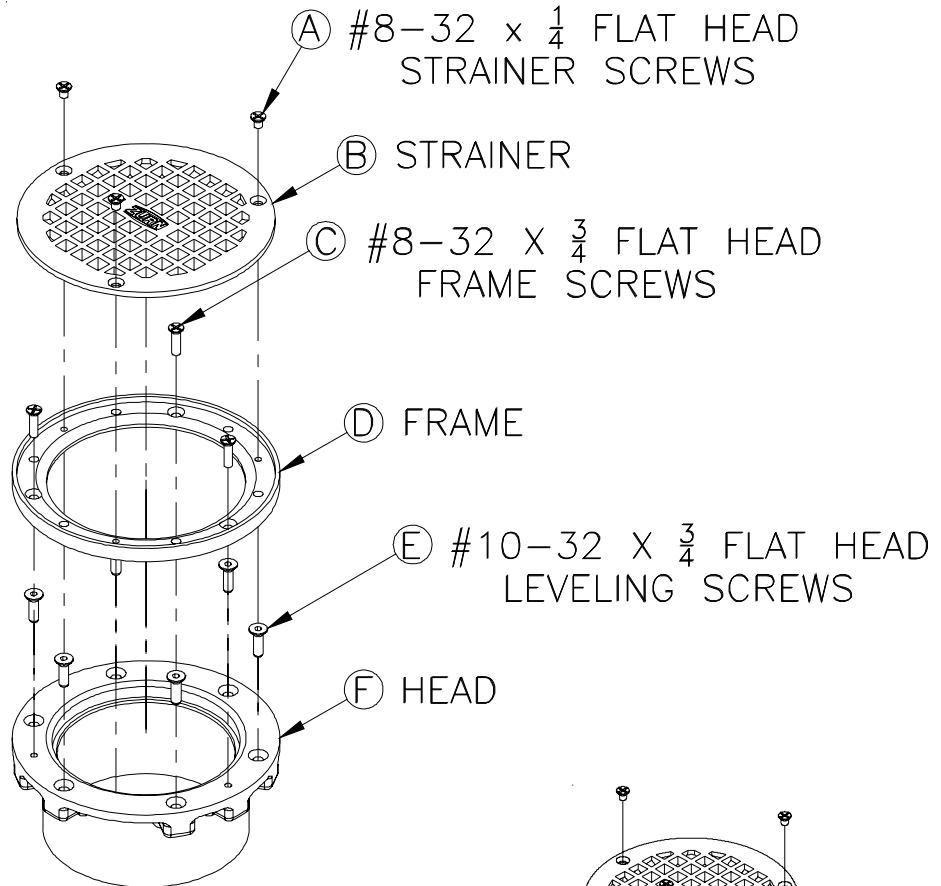


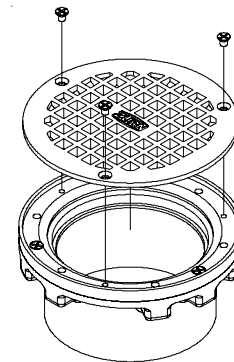


Z400BZ Installation Instructions



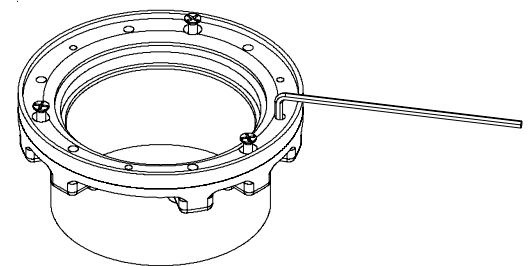
Step 1 Loosen and remove the three #8-32 x 1/4 flat head strainer screws (A) that secure the strainer (B) to the frame. (D)

Step 2 Remove the strainer. (B)



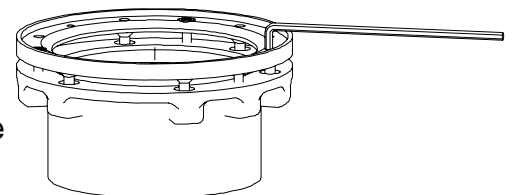
Step 3 Loosen but do not remove the three #8-32 x 3/4 flat head screws that secure the frame (D) to the head. (F)

Step 4 Using a 1/8" allen wrench, insert the allen wrench through any of the six guide holes in the frame (D) to engage the #10-32 x 3/4 flat head leveling screws. (E)



Step 5 Turn the allen wrench counter-clockwise to loosen and raise the leveling screw (E) underneath the frame. (D)

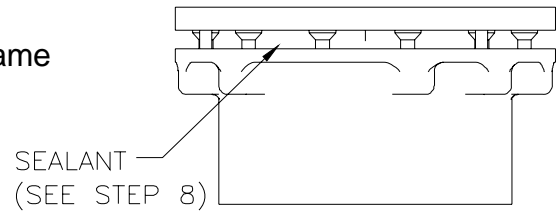
Step 6 Repeat with all six leveling screws (E) as necessary. The leveling screws (E) can be used to raise the entire frame (D) a set height or to adjust the frame (D) positioning to make level with the finished floor. Maximum adjustment height of the frame (D) is 3/8".



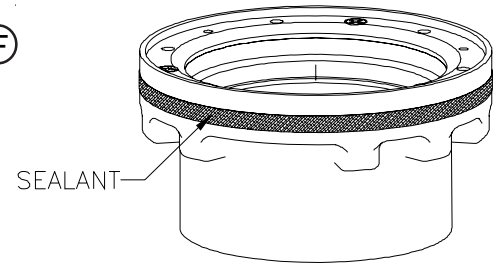


Z400BZ Installation Instructions

Step 7 Once the frame (D) is adjusted to its required position, retighten the three #8-32 x 3/4 flat head frame screws (C) to secure the frame. (D) The frame (D) should now rest on all of the leveling screws. (E)



Step 8 Apply a suitable and sufficient amount of sealant between the raised frame (D) and the cast iron head (F) to make a watertight seal.



Step 9 Replace the strainer (B) onto the frame (D) and secure strainer with the three #8-32 x 1/4 flat head strainer screws. (A)

INSTALLATION NOTES:

- When adjusting the leveling screws upward to raise the frame, care should be taken to prevent damage to the existing concrete around the frame.
- The leveling screws should be adjusted in an alternating fashion to slowly raise the frame up to required position.
- Maximum flat adjustment height of the frame is 3/8".
- Maximum sloped adjustment height is 7/8" per foot.