
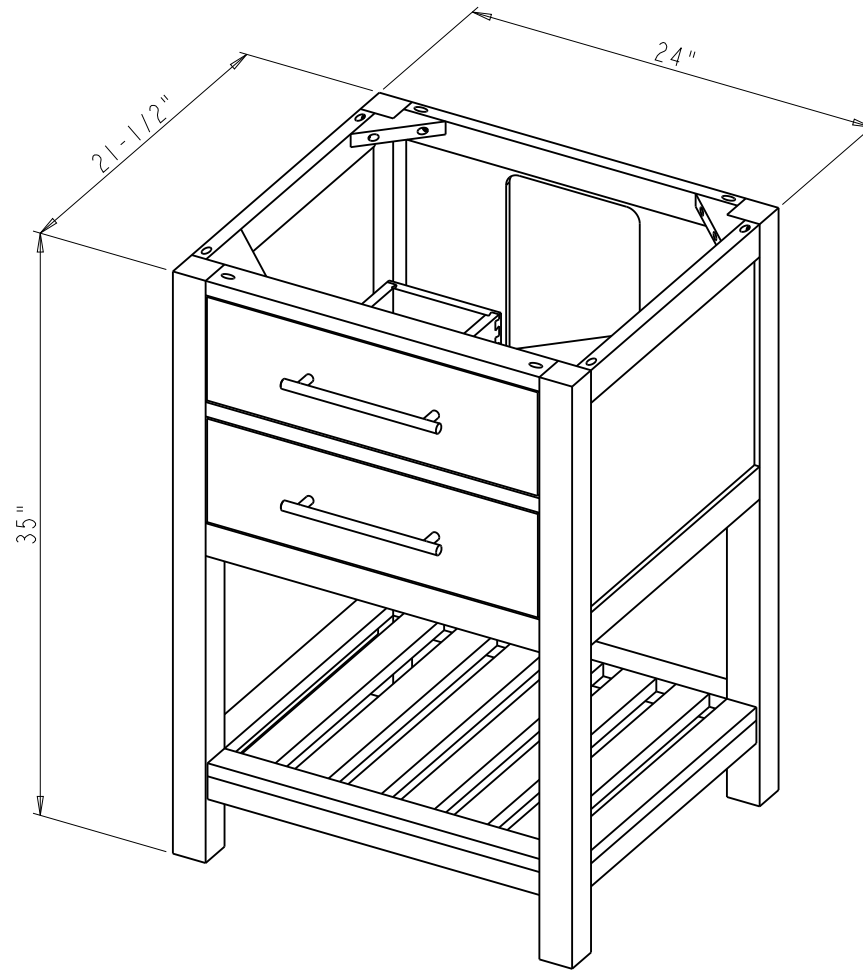



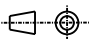
Specification:

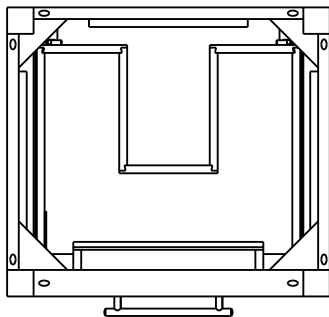
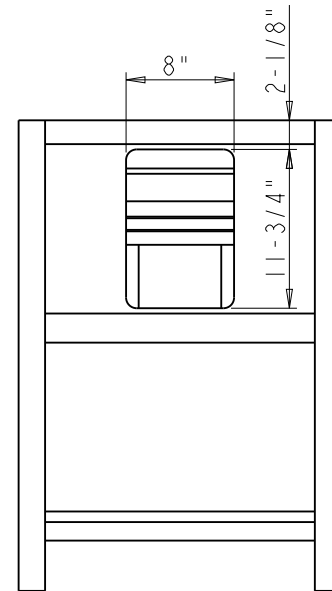
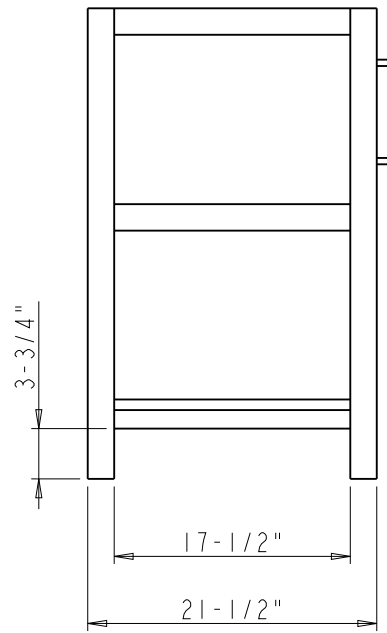
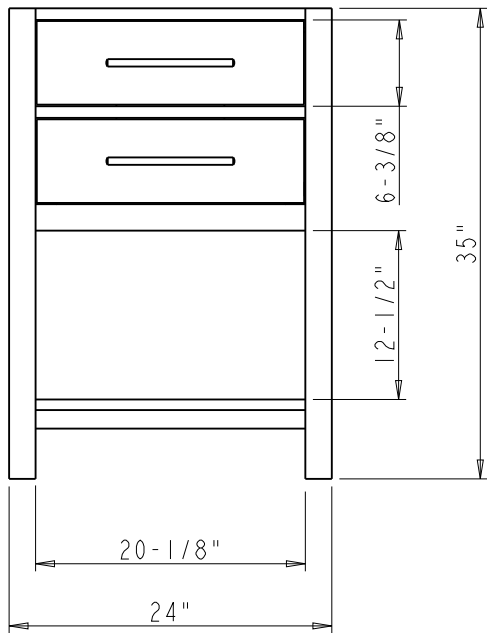
1. Finish: See Table
2. Hardware: See Table
3. Hinge: 700.0537.25+600.1234.05 ( 2 set )
4. Slide: USE58-300-18 + US-CLIP-4W ( 1 set )
5. Lid Stay ( 1 pcs )
6. The tolerance is +/- 1/8"

Item number	Finish	Deco Hardware	
		Item number	Qty
VN2WAV-24-GR-NT	Grey	242SN	2
VN2WAV-24-WH-NT	White	242MB	2

 <p><b>PROPRIETARY AND CONFIDENTIAL</b></p> <p>THE INFORMATION CONTAINED IN THIS DRAWING IS THE SOLE PROPERTY OF HARDWARE RESOURCES INC. ANY REPRODUCTION IN PART OR AS A WHOLE WITHOUT THE WRITTEN PERMISSION OF HARDWARE RESOURCES INC. IS PROHIBITED.</p> <p>DO NOT SCALE DRAWING</p>	ITEM#: VN2WAV-24	MATERIAL:	
	FINISH:	WEIGHT: 9	
	TOLERANCE UNLESS OTHERWISE SPECIFIED: X ±0.20 X.X ±0.10 X.XX ±0.05 ANGULAR: ±0.5°	UNITS:	DATE: Mar-24-20
	SIZE:	APPROVED BY: <i>Hugo.cai</i>	DATE:
	SHEET:	REVISION:	
	RELEASE LEVEL:		



 <b>PROPRIETARY AND CONFIDENTIAL</b> THE INFORMATION CONTAINED IN THIS DRAWING IS THE SOLE PROPERTY OF HARDWARE RESOURCES INC. ANY REPRODUCTION IN PART OR AS A WHOLE WITHOUT THE WRITTEN PERMISSION OF HARDWARE RESOURCES INC. IS PROHIBITED.	ITEM#: VN2WAV - 24	MATERIAL:
	FINISH:	WEIGHT: 9
	TOLERANCE UNLESS OTHERWISE SPECIFIED: X ±0.20 X.X ±0.10 X.XX ±0.05 ANGULAR: ±0.5° DO NOT SCALE DRAWING	PROJECTION  UNITS: DRAWN BY: <i>Hugo.cai</i> DATE: Mar - 24 - 20
	SIZE:	APPROVED BY: RELEASE LEVEL: REVISION:



	ITEM#: VN2WAV - 24		MATERIAL:		
	FINISH:		WEIGHT:		
<p><b>PROPRIETARY AND CONFIDENTIAL</b></p> <p>THE INFORMATION CONTAINED IN THIS DRAWING IS THE SOLE PROPERTY OF HARDWARE RESOURCES INC. ANY REPRODUCTION IN PART OR AS A WHOLE WITHOUT THE WRITTEN PERMISSION OF HARDWARE RESOURCES INC. IS PROHIBITED.</p>	UNITS:		DRAWN BY: <i>Hugo.cai</i>		
	TOLERANCE UNLESS OTHERWISE SPECIFIED: X ±0.20 X.X ±0.10 X.XX ±0.05 ANGULAR: ±0.5°		DATE: Mar - 24 - 20		
	DO NOT SCALE DRAWING		APPROVED BY:		
			DATE:		
		SHEET:		REVISION:	
		RELEASE LEVEL:			

