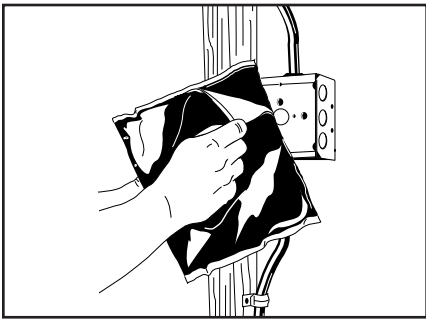
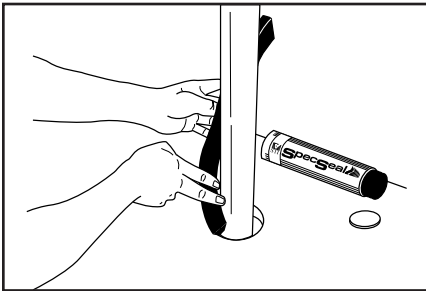




SERIES SSP PUTTY & PUTTY PADS

APPLICATIONS

SpecSeal® Series SSP Putty and Putty Pads are used to seal through-penetrations as well as construction gaps and blank openings. SpecSeal® Putty Pads are used to seal around electrical boxes to reduce sound transmission (see Technical Update) and increase fire resistance. These pads also provide a metered method of application when sealing through-penetrations and in some applications, are used to provide a cushion to allow movement due to settling, expansion and contraction, or vibration.



PRODUCT DESCRIPTION

SpecSeal® Series SSP Putty is a non-hardening, intumescent compound designed to seal through-penetrations as well as certain membrane penetrations against the spread of fire, smoke and toxic gasses. SpecSeal® Putty expands up to eight times its original size when exposed to high temperatures or flames.

Requiring no tools, SpecSeal® Series SSP Putty is soft and pliable making it easy to install by hand packing into openings. Its aggressive adhesion makes it suitable for use with all common construction materials as well as cable jacketing and pipes. SpecSeal® Putty remains soft and easy to reuse or retrofit.

SpecSeal® Series SSP Putty Pads provide this same level of protection in a release lined pad for easy application to electrical boxes or other penetrants. The pad is conveniently sized to fit a typical 1-1/2" (38 mm) deep 4S box with no cutting or piecing required. Faced on both sides with a convenient poly liner, SpecSeal® Putty Pads are easily applied with no mess or excessive residue.

FEATURES

- **Non-Hardening** = Easy retrofit!
- **Two Stage Intumescence** features aggressive expansion.
- **Endothermic Fillers** absorb heat & release water.
- **Highly Adhesive** formula Stays put. Allows movement.
- **Soft & Pliable** for easy installation.
- **No Water-Soluble Expansion Ingredients** means better water resistance!
- **Sound Deadening!** Excellent sound attenuation properties. Reduces noise transmission.

PERFORMANCE

SpecSeal® Series SSP Putty is the basis for systems that meet the exacting criteria of ASTM E814 (UL1479). Systems have been tested for all common forms of construction and most common penetrants with ratings up to 3 hours. Sound attenuation properties have also been tested as per (ASTM E 90-04/ASTM C919).

Additionally, SpecSeal® Series SSP Putty Pads have been tested to UL263 (ASTM E119, NFPA 251) and are classified for up to 2 hours as a Wall Opening Protective Material for use with both metallic and nonmetallic outlet or switch boxes installed in gypsum wallboard assemblies (steel and wood stud assemblies). Boxes protected with SpecSeal® Putty Pads have been successfully tested with box spacing reduced to less than 16" (406 mm).

PHYSICAL PROPERTIES

PHYSICAL PROPERTIES	
Product Name:	Series SSP Putty
Color:	Red
Odor:	None
Density:	1.45 kg/L (12.08 lb/gal)
Solids:	100%
Expansion Begins:	230°F (110°C)
Volume Expansion:	> 500% (free expansion)
In-Service Temp:	-10°F (-23°C) - 120°F (49°C)
Storage Temp:	Less than 120°F (49°C)
STC Rating:	62 (Relates to specific construction) (ASTM E 90-04/ASTM C919)
VOC Content**:	0.00 lbs/gal (0.0g/L)
Shelf Life:	No Limit

**ASTM D 3960 and EPA Federal Reference Method 24.



SpecSeal® Putty
FILL, VOID OR CAVITY MATERIALS CERTIFIED FOR USE IN THROUGH-PENETRATION FIRESTOP SYSTEMS. SEE UL ONLINE CERTIFICATIONS DIRECTORY.



SPECIFICATIONS

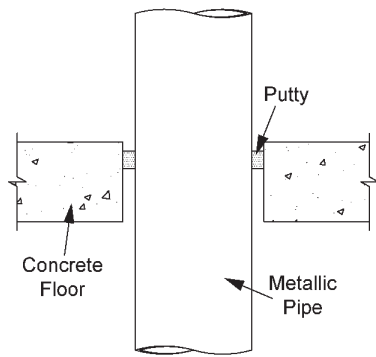
The firestopping putty shall be a one-part, two-stage intumescent, non-hardening compound. The putty, when exposed to high heat or flame shall be capable of expanding a minimum of five times. Range of continuing expansion shall be from 230°F to >1,000°F (110°C to >538°C). The putty shall be soft and pliable with aggressive adhesion and shall not contain any water-soluble intumescent ingredients. The putty shall be UL Classified and/or FM Systems Approved and tested to the requirements of ASTM E814 (UL1479).

SPECIFIED DIVISIONS

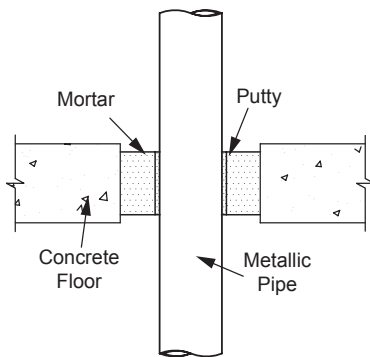
DIV.	7	07840	Through-Penetration Firestopping
DIV.	13	13900	Special Construction Fire Suppression & Supervisory Systems
DIV.	15	15250	Mechanical Insulation – Fire Protection
DIV.	16	16050	Basic Electrical Materials & Methods



Fig. 1: METALLIC PIPE PENETRATIONS - CONCRETE/MASONRY FLOOR

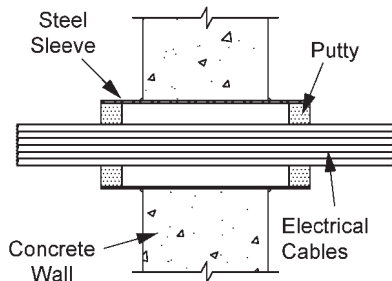


UL System No. C-AJ-1090
 F Rating: 2 hr • T Rating: 0 hr
 Steel or Iron Pipe: 6", EMT 4"
 Annulus: Nominal 11/16"
 Putty Depth: 1"
 Forming Material: Optional

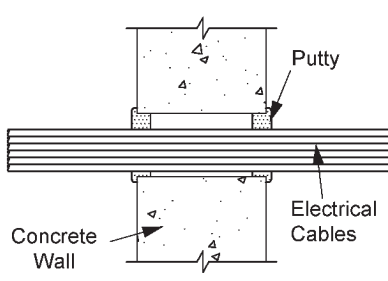


UL System No. C-AJ-8055
 F Rating: 2 hr • T Rating: 0 hr
 Steel or Iron Pipe: 6", EMT 4"
 Annulus: 1" to 6 1/2"
 SpecSeal Mortar Depth: 3 1/2"
 SpecSeal Putty Pad: 1 Layer Encircling

Fig. 2: METALLIC PIPE PENETRATIONS - WALLS

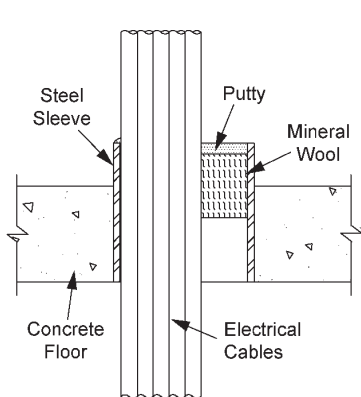


UL System No. W-J-3090
 F Rating - 2 Hr • T Rating - 3/4 Hr
 Electrical, Telephone or Data Cables
 Annulus: Min 0"
 Putty Depth: 1" of Putty on both sides.

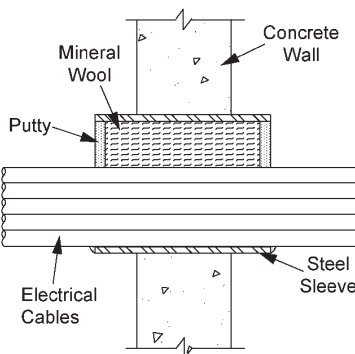


UL System No. W-J-3046
 F Rating - 2 Hr • T Rating - 0 Hr
 Electrical, Telephone or Data Cables
 Annulus: 1/4" to 3/4"
 Putty Depth: 5/8" of Putty on both sides.

Fig. 3: CABLE PENETRATIONS - CONCRETE/MASONRY FLOORS & WALLS



UL System No. C-AJ-3154
 F Rating - 1, 2, 3 & 4 Hr • T Rating - 0, 1/2 & 2 3/4 Hr
 Optional Sleeve - PVC or Steel • Electrical, Telephone or Data Cables • Annulus: 0" to 2"
 Forming Material: Nom 4 pcf mineral wool • Putty Depth: 1/2" of Putty; 1" for 4 Hr



INSTALLATION INSTRUCTIONS

GENERAL: Areas to be protected must be clean and free of oil, loose dirt, rust or scale. Installation, storage, and in-service temperatures must be below 120°F (49°C). No drying or curing is required.

SYSTEM SELECTION: Please consult the STI Product and Application Guide as well as the UL® Fire Resistance Directory for applicable through-penetration firestop systems.

FORMING: Some installations may require forming as either an integral part of the system or as an option to facilitate installation. In systems where forming is required, mineral wool batts (min. 1-1/2" (38 mm) nom. thickness, 4 lb./cu. ft. (64 kg/m³) density) are recommended. Some gypsum wallboard systems utilize fiberglass. Cut forming material oversize to allow for tight packing. Recess forming material at a depth which allows for the proper depth of fill material.

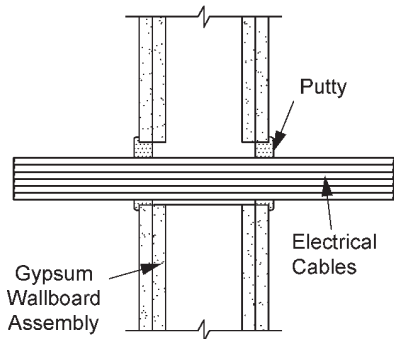
FILL MATERIAL: SpecSeal® Series SSP Putty may be installed by hand packing into the penetration. Care should be exercised to work the putty into and against all contact surfaces. Install putty to required depth. Work putty into all areas, exercising care to eliminate voids or seams. Where possible, space all penetrants adequately to allow putty to be packed into all voids and assure a good smoke seal. Most firestop system designs utilize a 1" (25 mm) depth of SpecSeal® Series SSP Putty.

PUTTY PADS: SpecSeal® Series SSP Putty Pads are available as a 7.25" x 7.25" x 3/16" (184 x 184 x 4.8 mm) or a 9" x 9" x 3/16" (229 x 229 x 5 mm) poly release faced pad for protection of recessed electrical boxes and as a through-penetration sealant. The pad is sized to fit a common 1-1/2" (38 mm) deep 4S electrical box. To install remove release liner from one side of pad. Align edge of pad to top of box and center pad. Adhere pad to top of box and bring pad down over the back of the box. Adhering pad to all outer surfaces will create excess material at the corners. Pinch pleat material together and fold against sides of box or trim off as desired. Putty pad must be applied to a uniform depth of 3/16" (4.8 mm) (one layer of pad) over the exterior surface of box for both 1 and 2 hour applications. Optionally, additional putty may be packed into conduit fittings to prevent the transmission of smoke through the conduit system. **NOTE:** One side of release liner may remain on pad.

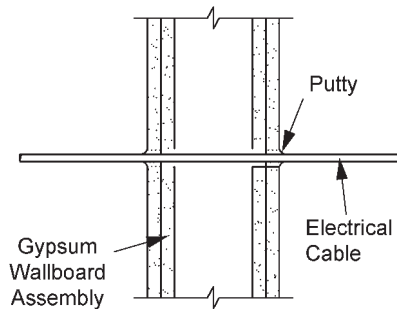
Pads may also be used in through-penetrations. Strips of pad may be cut off and packed around penetrants. Pad strips may also be applied to penetrants in a mortar system to create a firestop as well as a cushion to absorb movement due to expansion and contraction or vibration.



Fig. 4: CABLE PENETRATIONS - GYPSUM BOARD WALLS

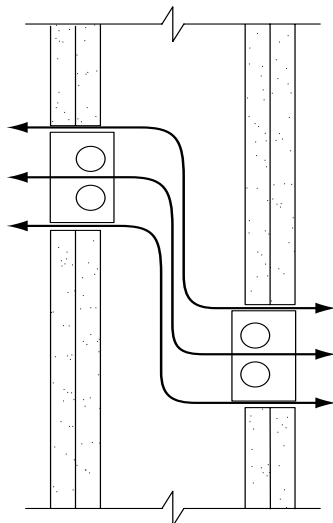


UL System No. W-L-3135
 F Rating – 1 & 2 Hr • T Rating – 0 Hr
 Electrical, Telephone or Data Cables
 Annulus: 1/4" to 3/4"
 Putty Depth: 5/8" of Putty on both sides.

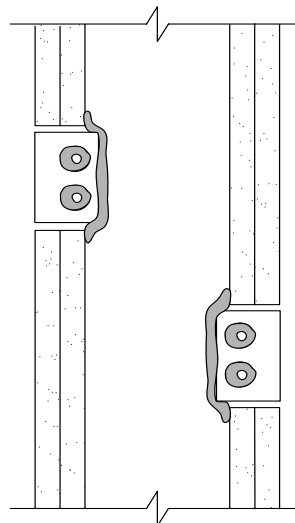


UL System No. W-L-3024
 F Rating – 1 & 2 Hr • T Rating – 0, 1/2, 1 & 2 Hr
 Electrical, Telephone or Data Cables
 Annulus: 0" to 1/4"
 Putty Depth: 5/8" of Putty on both sides.

Fig. 5: EXAMPLE OF MAINTAINING STC VALUES OF WALL AND CREATING AN EFFECTIVE SOUND BARRIER

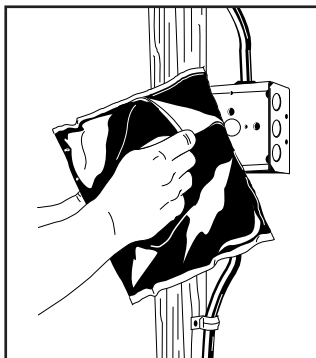


Arrows show path of sound travel.

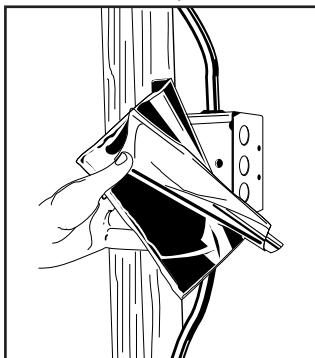


Putty pad reduces sound transmission by blocking path of sound travel.

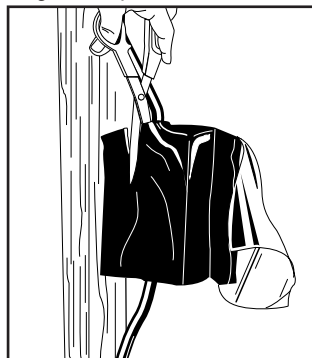
INSTALLATION OF PUTTY PADS ON ELECTRICAL BOXES (Protective Wall Opening Material)



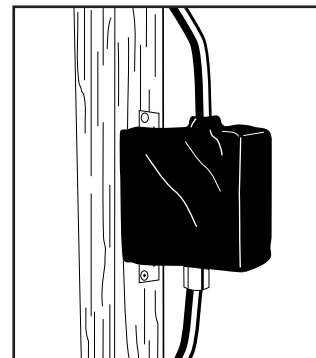
STEP 1



STEP 2



STEP 3



STEP 4

Remove poly liner from one side of pad (Step 1). Align pad to the side of box partially overlapping the stud and adhere. Working to the opposite side of the box to the edges (Step 2). If wall membrane is in place, pack putty into gaps between box and gypsum board slightly overlapping inner wallboard surface. If membrane is to be installed after pad installation, overlap front edge of box so that putty will be compressed around edges of box as wallboard is installed. Cut slits in pad to fit around conduits or cables (Step 3). Press pad to surface of top, bottom, and sides of box (Step 4). Trim excess at corners and apply to conduit fittings connected to the box. Optionally, putty may be packed into inside of conduit fittings to prevent passage of smoke. NOTE: One side of release liner may remain on pad.



MAINTENANCE

Installations should be inspected periodically for subsequent damage. Any damage should be repaired using SpecSeal® products per the original approved design.

CLEAN UP

Remove excess material from all contact surfaces immediately. Clean hands or skin using a waterless hand cleaner. When using water-emulsifiable soaps, apply soap and work over areas of skin contact prior to applying water.

TECHNICAL SERVICE

Specified Technologies Inc. provides toll free technical support to assist in product selection and appropriate installation design. UL Systems, Material Safety Data Sheets and other technical information is available at the Technical Library at www.stifirestop.com.

PRECAUTIONARY INFORMATION

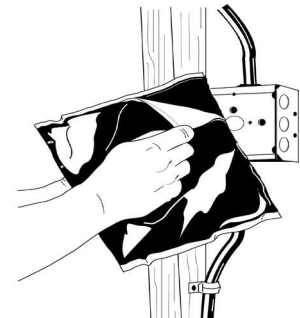
Consult Material Safety Data Sheet for additional information on the safe handling and disposal of this material. Wash areas of skin contact with soap and water. Avoid contact with eyes. DO NOT APPLY TO EXPOSED ELECTRICAL CONDUCTORS.

AVAILABILITY

SpecSeal® Series SSP Putty is available from authorized STI distributors nationwide. Consult factory for the names and locations of the nearest sales representatives or distributors. 

TABLE A: ORDERING INFORMATION

CAT. NO.	DESCRIPTION	CASE QTY.
SSP100	36 in ³ (0.6 liter) bar	6
SSP28	24 in ³ (0.4 liter) bar	-
SSP4S	7.25" x 7.25" x 3/16" (184 x 184 x 5 mm) pad	20
SSP9S	9.00" x 9.00" x 3/16" (229 x 229 x 5 mm) pad	20



CITY OF NEW YORK MEA 30-92-M

IMPORTANT NOTICE: All statements, technical information, and recommendations contained herein are based upon testing believed to be reliable, but the accuracy and completeness thereof is not guaranteed.

LIMITED WARRANTY: STI warrants that its products will be free of defects for one year from the date of purchase. In the event a product does not conform to this warranty, the sole and exclusive remedy is, at STI's option, replacement of the product or refund of the purchase price. The warranty provided herein shall be void and of no effect in the event that the product is not installed in accordance with STI's published instructions, listed systems and applicable building and safety codes. THIS WARRANTY IS IN LIEU OF ALL OTHER REPRESENTATIONS AND EXPRESSED OR IMPLIED WARRANTIES (including the implied warranties of merchantability or fitness for a particular use) AND UNDER NO CIRCUMSTANCES SHALL STI BE LIABLE FOR ANY DIRECT, INDIRECT, SPECIAL, INCIDENTAL OR CONSEQUENTIAL DAMAGES OR LOSSES, INCLUDING, WITHOUT LIMITATION, ANY LOSS OF REVENUE, PROFIT OR USE. Prior to use, the user shall determine the suitability of the product for its intended use, and the user assumes all risks and liability for subsequent use. No person other than an officer of STI is authorized to bind STI to any other warranty for any product for which this warranty is issued.

MADE IN THE USA – COPYRIGHT © 2016 SPECIFIED TECHNOLOGIES INC.



Specified Technologies Inc.

Specified Technologies Inc. • Somerville NJ 08876 • Phone: 800.992.1180 • Fax: 908.526.9623

