



# Northland™ | K-6579-2

15" top-mount single-bowl bar sink

## Features

- 15" (381 mm) minimum base cabinet width
- Single bowl
- 7" depth
- Two faucet holes



## Sustainability



## Available Colors/Finishes

*Color tiles intended for reference only.*

- 0 White
- 96 Biscuit
- 20 Suede
- 7 Black Black



1-800-4KOHLER (1-800-456-4537)  
Kohler Co. reserves the right to make revisions without notice to product specifications.  
For the most current specification sheet, go to [www.kohler.com](http://www.kohler.com) USA or [www.kohler.ca](http://www.kohler.ca) Canada.  
4-15-2026 2:2 - US-CA

THE BOLD LOOK  
OF **KOHLER**

---

## Codes/Standards

*ADA compliant when installed to the specific requirements of these regulations.*

*ADA permits a parallel approach to wet bars.*

ADA

ASME A112.19.1/CSA B45.2

ADA

ICC/ANSI A117.1

---

## Technical Information

*All product dimensions are nominal.*

|                             |  |
|-----------------------------|--|
| Number of Deck Holes:       | 2  |
| Faucet Hole(s) Size:        | 1-3/8" (35 mm)   |
| Drain Hole Diameter:        | 3-7/8" (98 mm)   |
| Minimum Base Cabinet Width: | 15" (381 mm)   |
| Basin Configuration:        | Single Bowl  |
| Basin Length:               | 9-1/4" (235 mm)  |
| Basin Width:                | 12" (305 mm)   |
| Basin Depth:                | 7" (178 mm)  |
| Cutout:                     | Top-mount, 14-1/4" x 14-1/4"<br>(362 mm x 362 mm) with 1" (25 mm) radius corners |

---

## Material

- KOHLER® enameled cast iron
- 

## Recommended Products/Accessories

K-23726 Drain treatment

K-23725 Cast iron cleaner

K-8801 Sink drain and strainer with tailpiece

K-8799 Sink drain and strainer basket, less tailpiece

---

## Warranty

*See website for detailed warranty information.*

KOHLER® Enameled Cast Iron Kitchen and Bathroom Sink Lifetime Limited Warranty

---

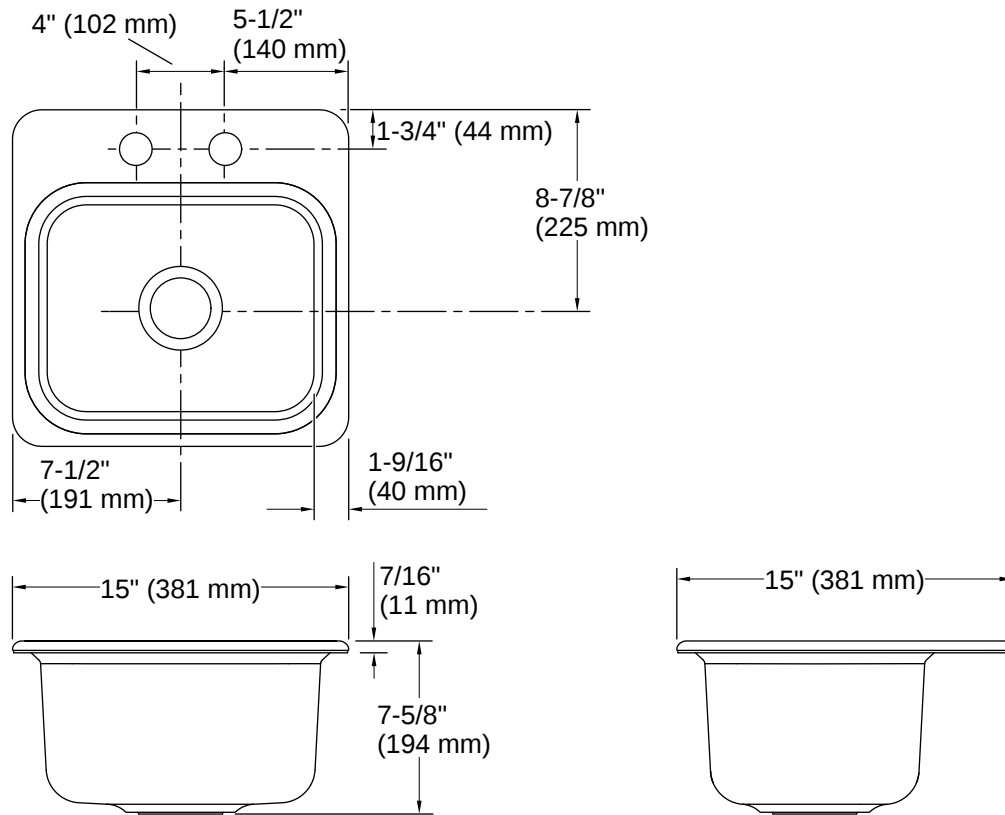


1-800-4KOHLER (1-800-456-4537)

Kohler Co. reserves the right to make revisions without notice to product specifications.

For the most current specification sheet, go to [www.kohler.com](http://www.kohler.com) USA or [www.kohler.ca](http://www.kohler.ca) Canada.

4-15-2026 2:2 - US-CA



## Installation

- Top-mount

## Installation Notes

*Install this product according to the installation instructions.*

ADA compliant when installed to the specific requirements of these regulations.

ADA permits a parallel approach to wet bars.

