

# Installation Instructions

## Apron Bath with Integral Overflow

Record your model number:  
Noter le numéro de modèle:  
Anoté su número de modelo: \_\_\_\_\_

Français, page 10  
Español, página 19

**KOHLER**®

# Thank You for Choosing KOHLER

---

Need help? Contact our Customer Care Center.

- USA/Canada: 1-800-4KOHLER (1-800-456-4537) Mexico: 001-800-456-4537
- Service parts: [kohler.com/serviceparts](http://kohler.com/serviceparts)
- Care and cleaning: [kohler.com/clean](http://kohler.com/clean)
- Patents: [kohlercompany.com/patents](http://kohlercompany.com/patents)

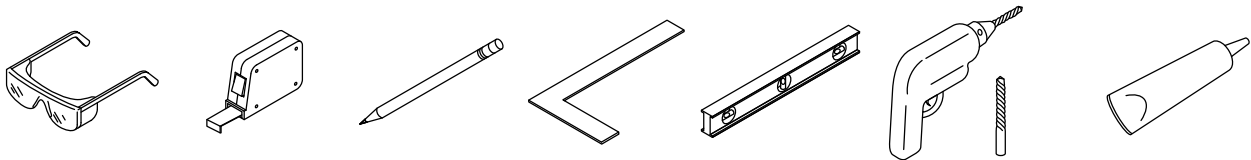
## Warranty

---

This product is covered under the **KOHLER® Plastic Baths and Receptors Lifetime Limited Warranty**, found at [kohler.com/warranty](http://kohler.com/warranty). For a hardcopy of warranty terms, contact the Customer Care Center.

## Tools and Materials

---




100% Silicone Sealant

### Additional Tools and Materials:

- Woodworking Tools and Materials
- Drop Cloth
- Mortar Cement
- Construction Adhesive
- Lifting Straps
- Plastic Film (Optional)
- Shims
- 1/4" (6 mm) Furring Strips
- #6 Large-Head Galvanized Nails or Screws

## Before You Begin

---

 **CAUTION: Risk of personal injury.** Provide adequate support if installing a rim-mount faucet. Large faucets that may be inadvertently used as a means of support are not safe for this installation.

**IMPORTANT!** The bath must be supported by the feet or base. If the base is uneven, use shims under the base to level the bath. Do not support the bath by the rim.

**IMPORTANT!** Kohler Co. strongly recommends the use of 100% silicone sealant. Other sealants with high filler content may shrink, separate, and peel over time.

**NOTICE:** Before installing a rim-mount bath faucet, refer to the Specification Sheet on the bath product page at [kohler.com](http://kohler.com) for faucet area dimensions for your model.

Follow all local plumbing and building codes.

Verify that the subfloor is level.

Provide adequate floor support. Refer to the Specification Sheet for floor-load requirements.

Provide drain access from below.

Unpack and inspect the product for damage. Return the product to the carton until installation.

To simplify future maintenance, provide access to plumbing connections.

This bath will not easily fit through doorways. Carefully plan how to move the bath into the installation area.

Install the bath to an adequately supported, level finished floor.

This bath features an integral overflow.

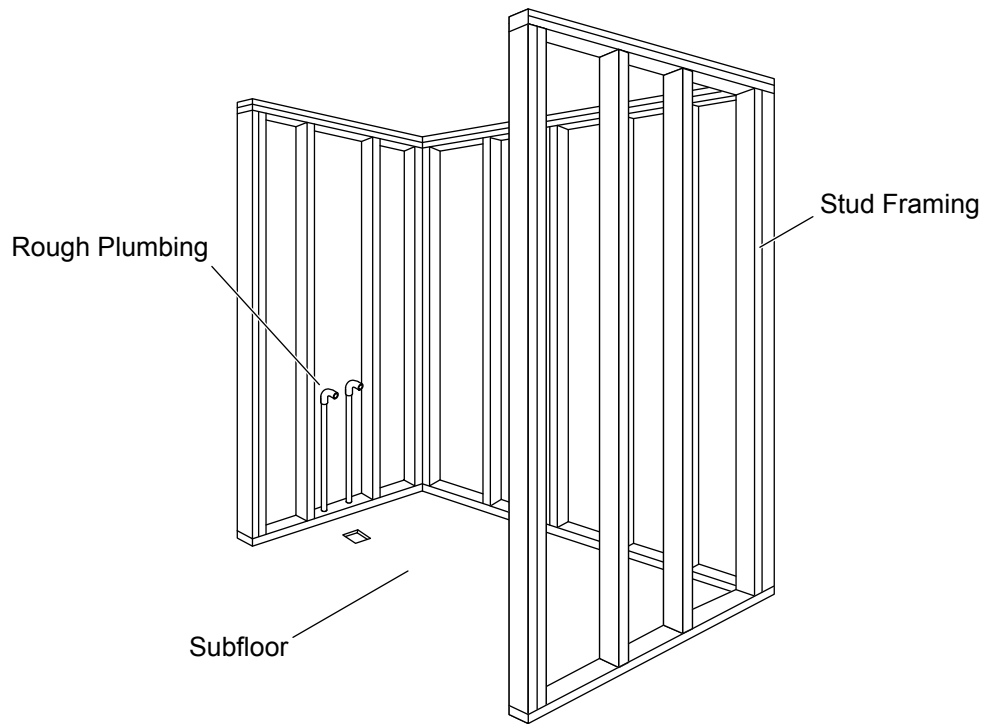
This bath is designed for alcove installation.

Apron baths are not reversible. If the drain and the faucet supplies are located on the left end of the alcove area, the installation requires a left-outlet bath.

Your product may appear different from the one illustrated. The installation procedure is the same.

## 1. Prepare the Site

---



### Alcove Installation

**NOTICE:** Measure your product for site preparation. Note the **model number** on the packaging label, then visit the product page at [kohler.com](http://kohler.com) to reference the product Specification Sheet.

**NOTICE:** Verify that the subfloor is level. Provide drain access from below. Provide access to all plumbing connections.

**NOTICE:** Provide adequate floor support.

**NOTICE:** An access panel will simplify future maintenance.

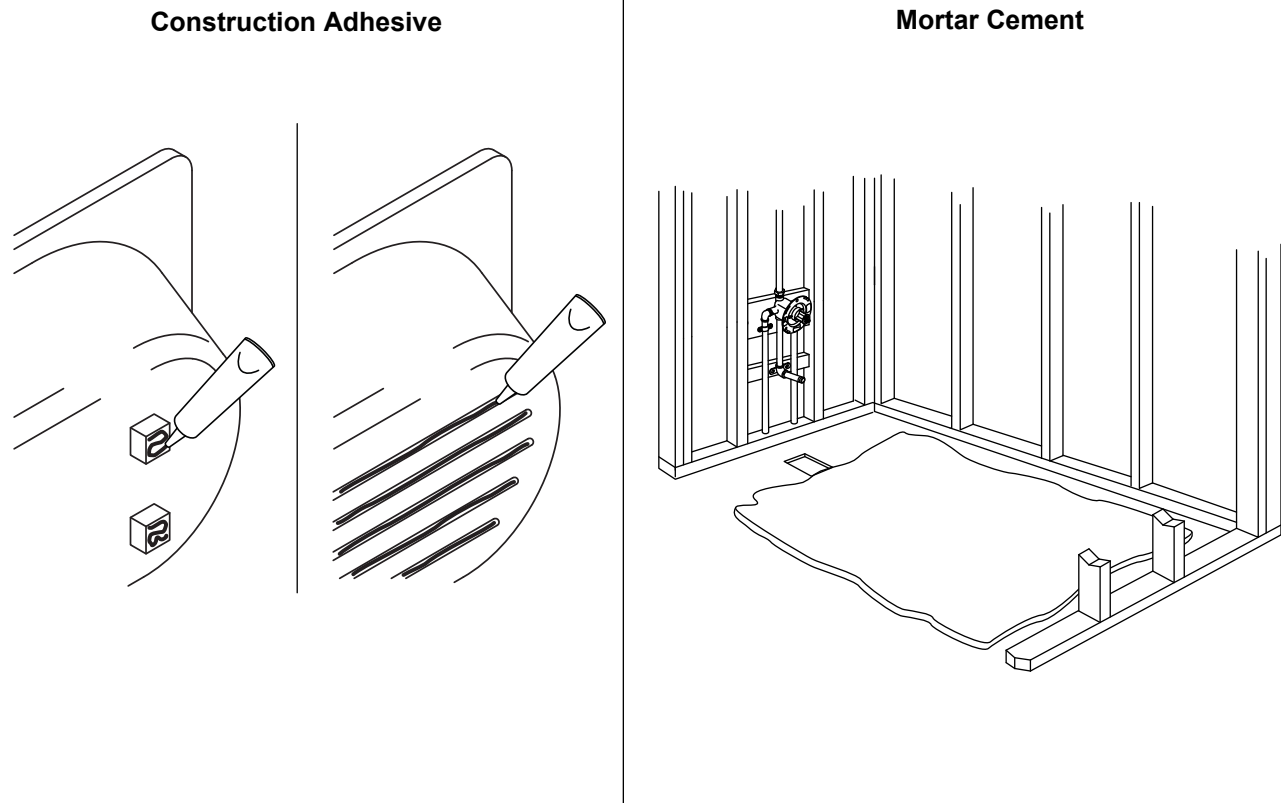
**NOTE:** This bath comes with an integral overflow so an overflow installation will not be necessary.

**NOTE:** The location of the drain pipe will be directly under the bath drain.

- Construct an appropriately sized plumb stud alcove. Verify that the dimensions of the alcove account for the finished wall.
- Install the rough plumbing.
- Position and install a standard PVC or brass drain pipe to the correct height.

## 2. Prepare the Bath

---



### Construction Adhesive

**NOTE:** Some models come with support blocks. Some models have molded supports.

- Apply a generous amount of construction adhesive to the bath feet or base.

### Mortar Cement

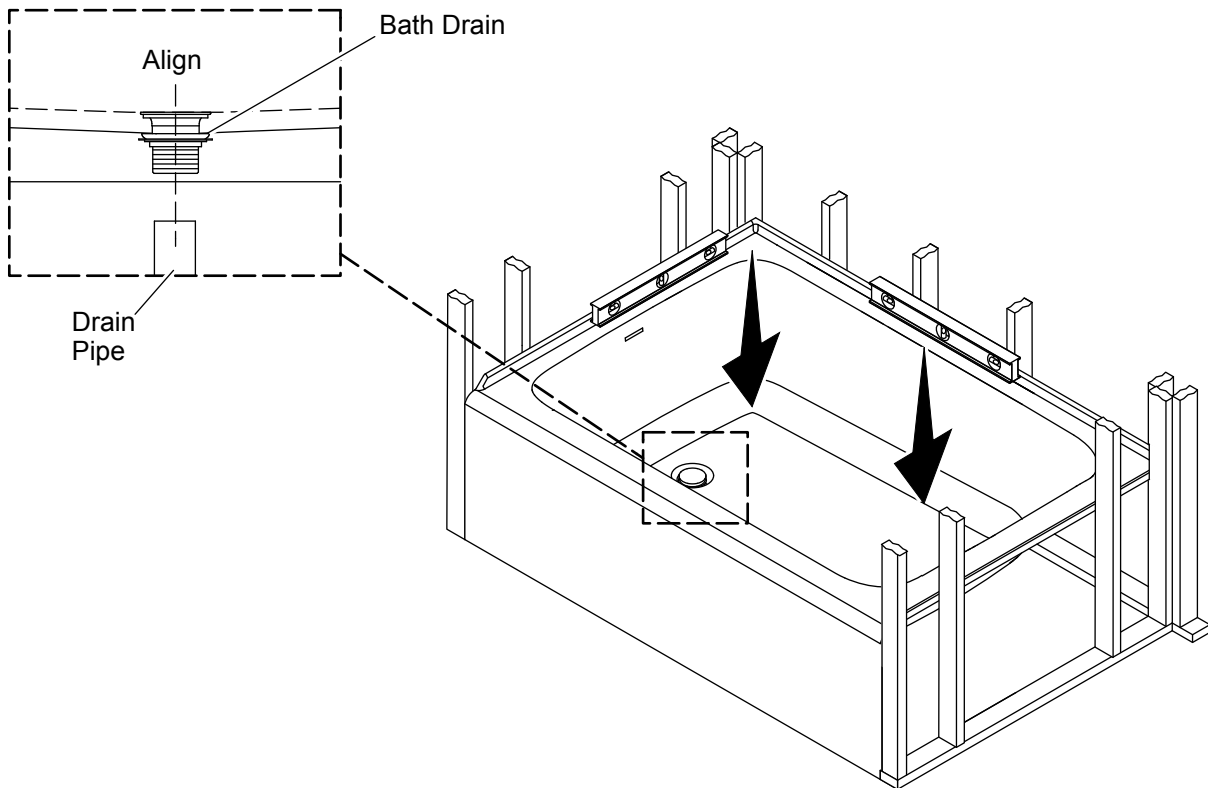
**NOTE:** Do not use gypsum cement or drywall compound for this application, as they will not provide an acceptable, durable bond.

**NOTE:** Lay plastic film on wooden subfloors if desired to prevent water absorption.

- Prepare a layer of 1" (25 mm) to 2" (51 mm) of mortar cement.

### 3. Install the Drain and Bath

---



**⚠ CAUTION: Risk of property damage.** Provide a watertight seal on all drain connections.

**⚠ CAUTION: Risk of personal injury.** The edges of drain flange openings may be sharp.

**NOTE:** The drain cover and gaskets are included in a small box located within the carton.

**NOTE:** Verify that there is no interference with the drain flange openings.

- Install the drain to the bath according to the instructions packed with the drain.

#### Prepare the Floor Pipe Connection

- For Brass Installation:** Apply sealant tape between the drain flange and the drain pipe to create a watertight seal.
- For PVC Installation:** Apply 100% silicone sealant between the drain flange and the 1-1/2" 11-1/2 NPSM adapter to create a watertight seal.
- For PVC Installation:** Apply PVC glue between the 1-1/2" 11-1/2 NPSM adapter and PVC pipe to create a watertight seal.

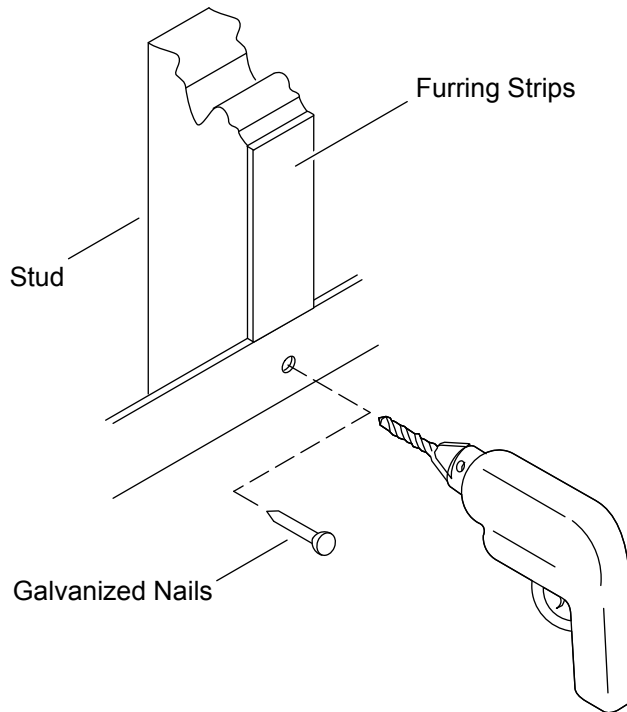
#### Install the Bath

- With help, lift the bath into place and verify that the drain is aligned over the drain pipe.
- Verify that the bath is level and that the feet or base are supported.
- Apply weight evenly to the bath basin until the mortar or adhesive sets.

- Install the bath faucet following the faucet manufacturer's instructions.
- Close the bath drain.
- Fill the bath to the overflow and check the drain connections for leaks.

## 4. Secure the Flange

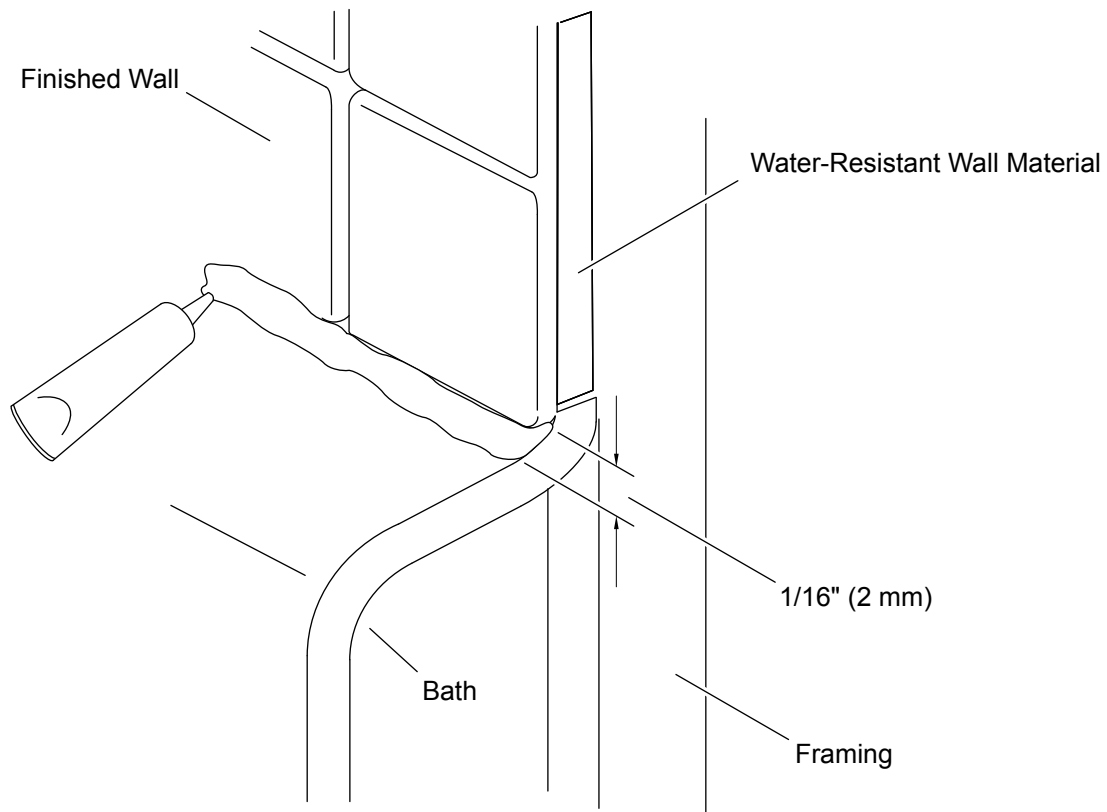
---



- Place a clean drop cloth in the bath basin to protect the surface.
- Drill a small pilot hole through the nailing-in flange at each stud. Add shims as needed.
- Nail 1/4" (6 mm) thick furring strips to the studs, flush with the nailing-in flange.
- Use #6 large-head galvanized nails or screws to secure the nailing-in flange to the studs.

## 5. Complete the Installation

---



- Place a protective liner in the bath basin.
- Install water-resistant wallboard over the framing. Apply a bead of 100% silicone sealant along the seams.
- Install the finished deck or wall material to within 1/16" (2 mm) of the bath rim.
- Apply 100% silicone sealant around the bath along the finished deck or walls.
- Install the faucet trim following the manufacturer's instructions.
- Check all connections for leaks.
- Fill the bath to the overflow and check the drain connections for leaks.