

Location:





**SYMMONS** Carrington®



4401-TRM, 4401TRMTC

Shower Trim

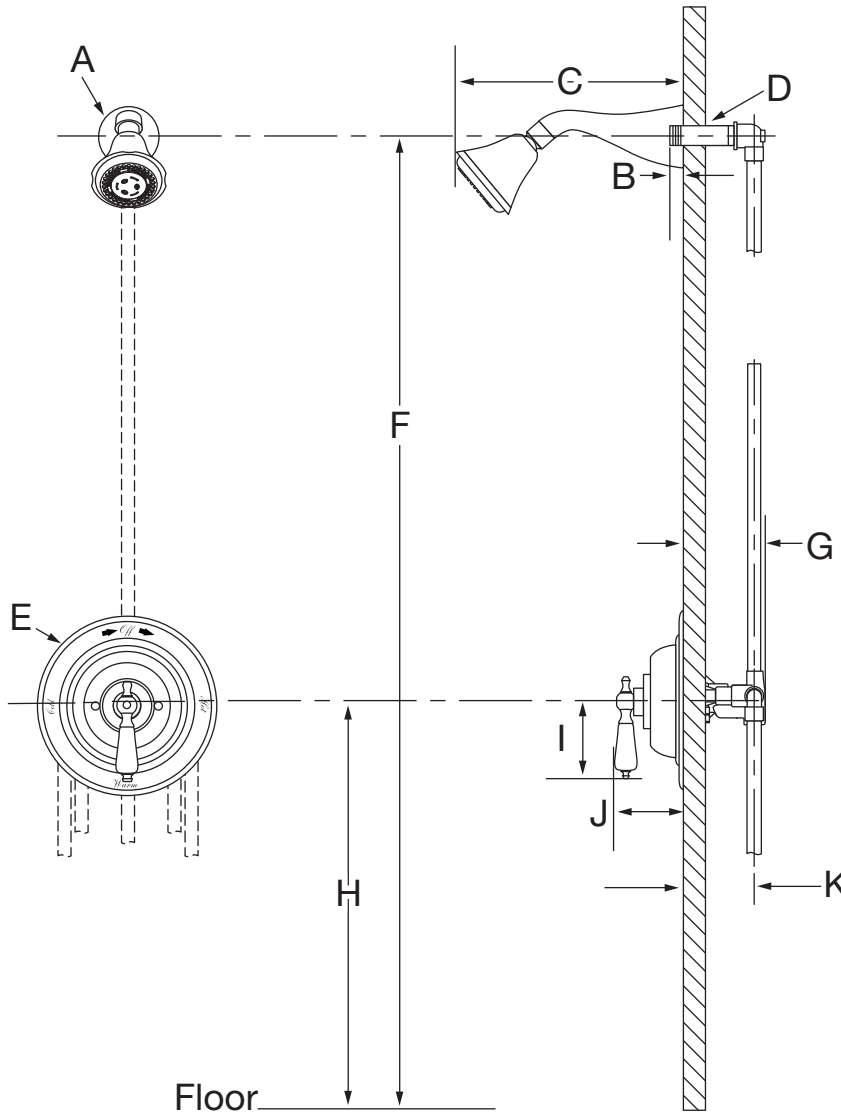
**Specification Submittal**

Model Numbers	Feature Highlights
<input type="checkbox"/> <b>4401-TRM</b> Shower Trim, Temptrol Pressure Balancing Shower Valve or- dered separately  <input type="checkbox"/> <b>4401TRMTC</b> Shower Trim with TA-10 flow control spindle and T-12A cap assembly, must order Temptrol valve with Test Cap	<ul style="list-style-type: none"> <li>• Carrington Shower Trim</li> <li>• Requires Temptrol® Pressure Balancing Shower Valve</li> <li>• Metal lever handle</li> <li>• 3 mode showerhead</li> <li>• 2.0 gpm (7.6 L/min) flow restrictor</li> <li>• Tub spout not included</li> <li>• Components shall be metal and nonmetallic construction, plated in standard Polished Chrome finish</li> <li>• Available with TA-10 flow control spindle and T-12A cap assembly for Temptrol valve bodies installed with Test Cap (order p/n 4401TRMTC)</li> </ul>
Options/ Modifications	
<input type="checkbox"/> <b>1.5</b> <b>1.5 gpm (5.7 L/min) flow restrictor</b> <input type="checkbox"/> <b>STN</b> <b>Satin Nickel finish</b> <input type="checkbox"/> <b>L1</b> <b>Less showerhead</b> <input type="checkbox"/> <b>L7</b> <b>Less handle</b>	
<p><b>Note:</b> Append appropriate -suffix to model number.</p>	<b>Warranty</b>
Compliance	<p><b>Limited Lifetime</b> - to the original end purchaser in consumer/residential installations.  <b>10 Years</b> - for commercial/industrial installations. Refer to <a href="http://www.symmons.com/warranty">www.symmons.com/warranty</a> for complete warranty information.</p> 
<p>- ASME A112.18.1/CSA B125.1</p> 	

**Architectural/ Engineering Specification**

Symmons Carrington Shower Trim \_\_\_\_\_ Includes Carrington Shower Trim, Requires Temptrol® Pressure Balancing Shower Valve, Metal lever handle, 3 mode showerhead, 2.0 gpm (7.6 L/min) flow restrictor, Tub spout not included, Components shall be metal and nonmetallic construction, plated in standard Polished Chrome finish, Available with TA-10 flow control spindle and T-12A cap assembly for Temptrol valve bodies installed with Test Cap (order p/n 4401TRMTC). 10 Year Commercial Warranty. ASME A112.18.1/CSA B125.1 compliant. Available options: "1.5 - 1.5 gpm (5.7 L/min) flow restrictor", "STN - Satin Nickel finish", "L1 - Less showerhead", "L7 - Less handle".

## Dimensions



Measurements	
A	Ø 2 5/8", 67 mm
B	1/2", 13 mm
C	9 1/4", 235 mm
D	Male 1/2" I.P.S. thread must protrude 1/2" from finished wall
E	Ø 7 1/2", 191 mm
F	77", 1956 mm
G	3 1/8", 79 mm
H	42", 1067 mm
I	3 1/8", 79 mm
J	2 5/8", 67 mm
K	(Rough in) 2" ± 1/2", 51 mm ± 13 mm

### Notes:

- 1) Valve body and piping not included and shown as reference only.
- 2) Plaster shield (p/n T-176) for dry wall, plaster or other type walls 1/2" or greater.
- 3) All dimensions measured from nominal rough-in (see K as reference).
- 4) Dimensions subject to change without notice.