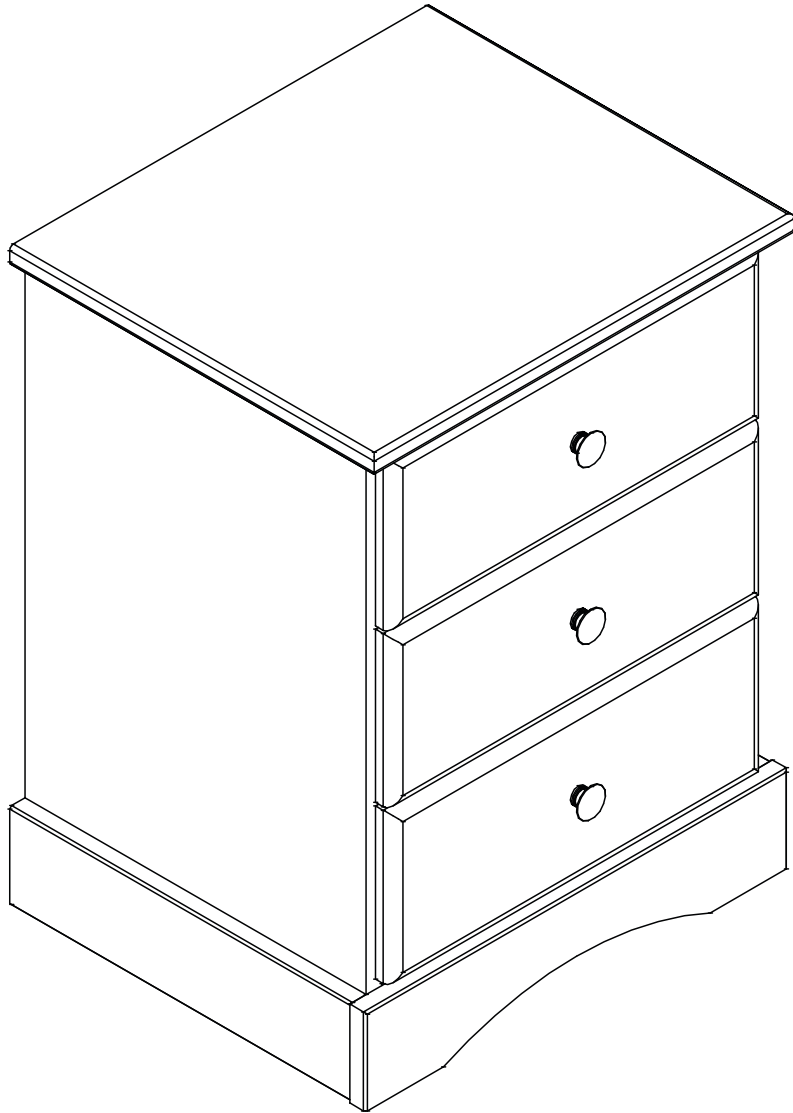


Item : BR3DBENNS

Assembly Instructions

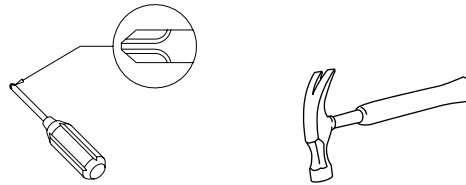


Please visit our website for the most current instructions, assembly tips, to report damage or request parts. www.walkeredison.com

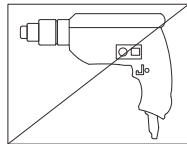
Revised 07/2023-V5

General Assembly Guidelines

- I. Ensure that all parts and hardware are available before beginning assembly.
- II. Follow each step carefully to ensure the proper assembly of this product.
- III. Two people are recommended for ease in the assembly of this product.
- IV. The three main types of hardware used to assemble this product are wood dowels, screws and bolts.
- V. A Phillips head screwdriver and hammer is required for the assembly of this product.



- V I. Power tools should not be used to assemble this product.

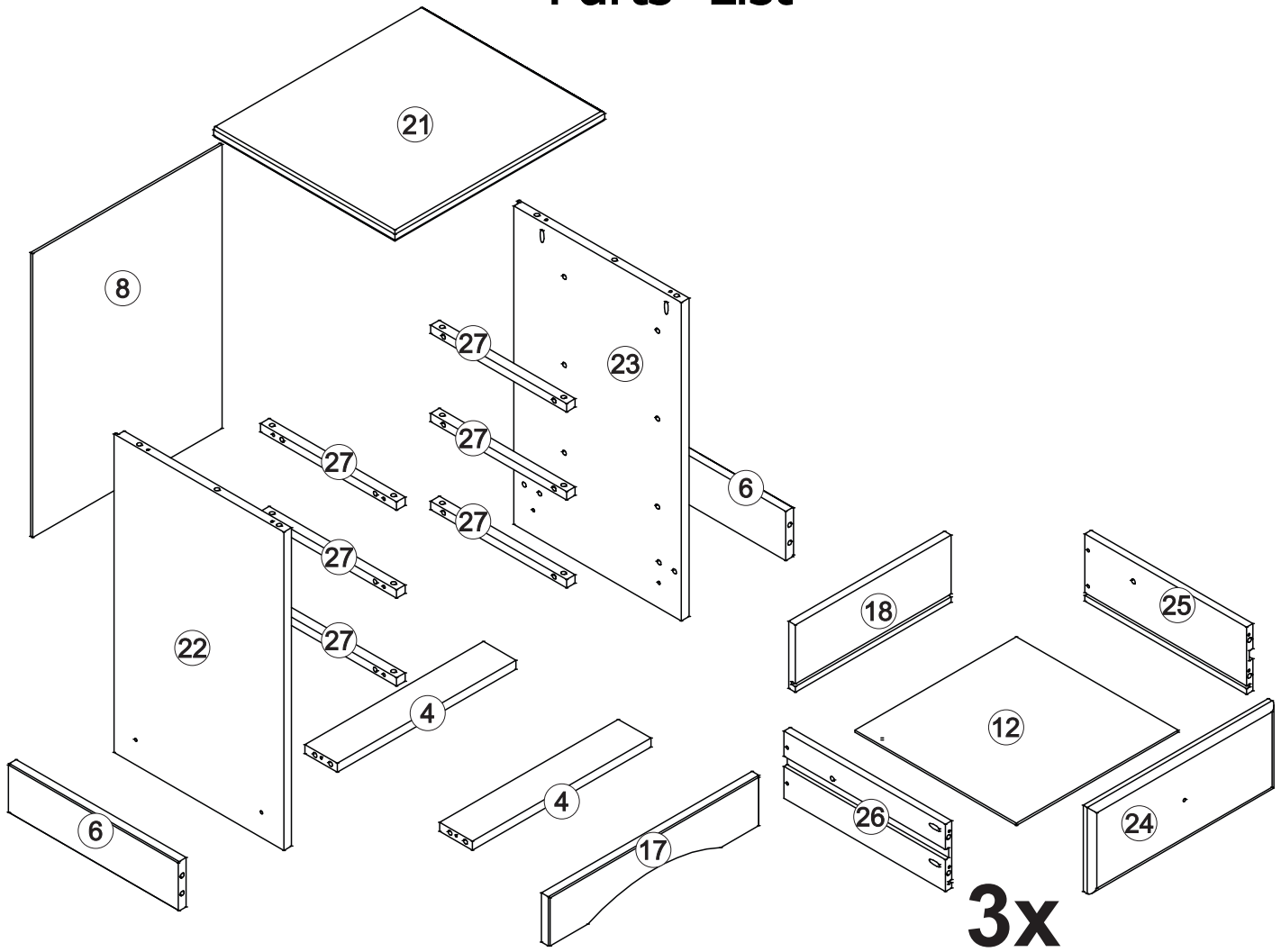


VII. Maintenance Guide

To maintain long term performance and easy gliding of your solid wood drawers, we recommend applying wax to the wooden guide rails.

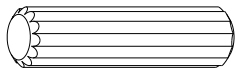



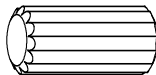
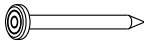
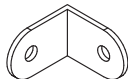
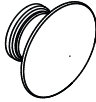
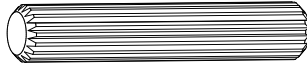

1. Bee's wax is recommended or Paraffin wax from a standard candle can be used.
2. Apply the wax by rubbing it on the wooden guide rails where there is wood-on-wood contact when opening and closing the drawer. (Wax should be room temperature, do not melt the wax onto the wood)
3. Wax should be applied every few months for the first year and then only when needed after that to keep the drawers sliding smoothly.

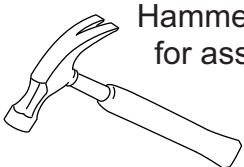
Parts List



Part#	Description	Qty	Part#	Description	Qty
4	Small Front crossbeam	02 pcs	22	Left side panel	01 pcs
6	Side Foot	02 pcs	23	Right side panel	01 pcs
8	Back Panel	01 pc	24	Front Drawer	03 pcs
12	Drawer bottom	03 pcs	25	Drawer Right Side	03 pcs
17	Front Foot	01 pc	26	Drawer Left Side	03 pcs
18	Drawer back	03pcs	27	Drawer runner	06 pcs
21	Top panel	01 pcs			

Hardware List

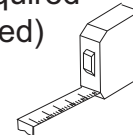
A		Ø8*30mm	Wooden dowel	37 pcs
B		Ø3,5*30mm	Screw	32 pcs
C		Ø3,5*14mm	Screw	04 pcs
D		Ø4,0*25mm	Screw	22 pcs
E		Ø10*20mm	Wooden dowel	12 pcs
F		Ø10*10mm	Nail	14 pcs
G			Corner	02 pcs
H			Handle	03 pc
I		Ø8*40mm	Wooden dowel	06 pcs
J		m4*22mm	Screw	03 pcs



Hammer recommended
for assembly (not included)



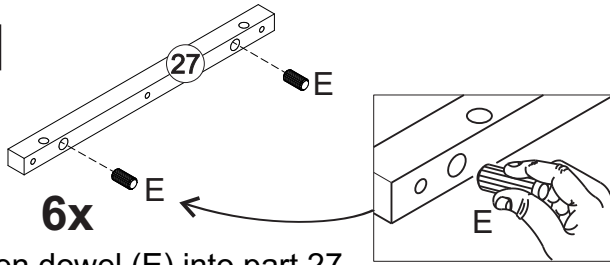
Philips head screwdriver required
for assembly (not included)



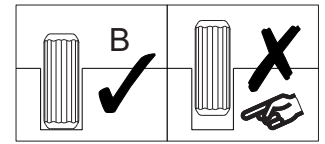
Tape measure
required
for assembly
(not included)

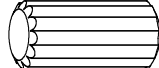
*The hardware quantities listed above are required for proper assembly.
Some extra hardware may also have been included.*

Step 1




Attention to the
dowel length:
Ø10*20mm

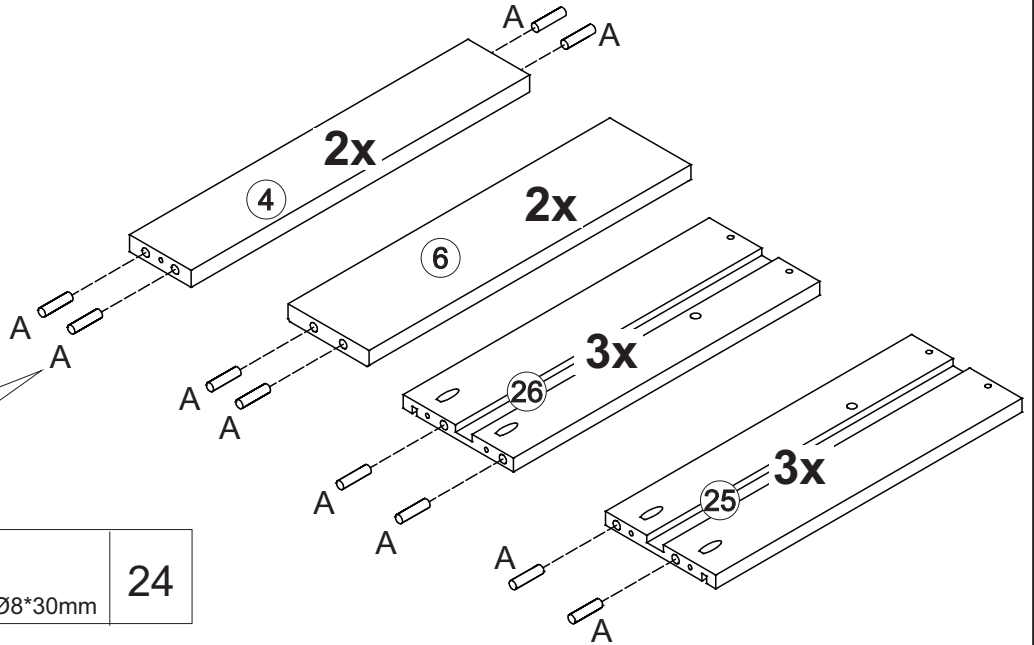
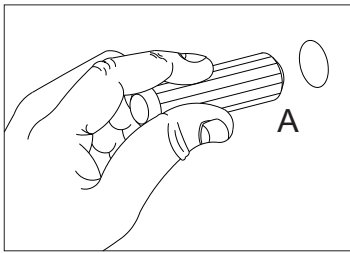


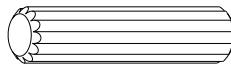
E		Ø10*20mm	12
---	---	----------	----

Insert wooden dowel (E) into part 27.

Step 2

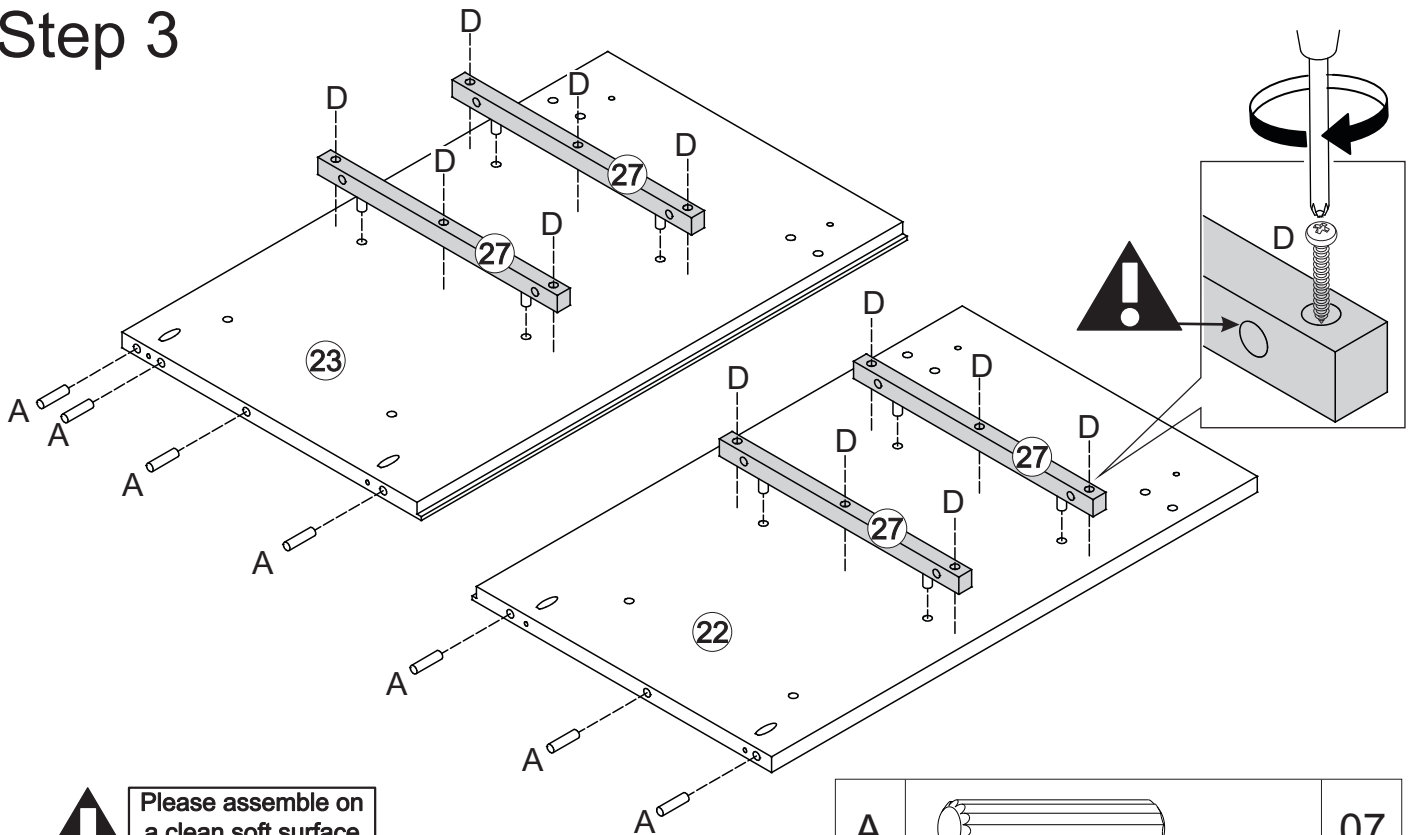
 Please assemble on
a clean soft surface
to avoid damage.




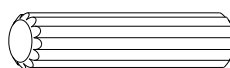
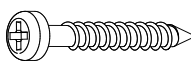
A		Ø8*30mm	24
---	---	---------	----

Insert Wooden dowel (A) into part (4), (6), (25) and (26).

Step 3

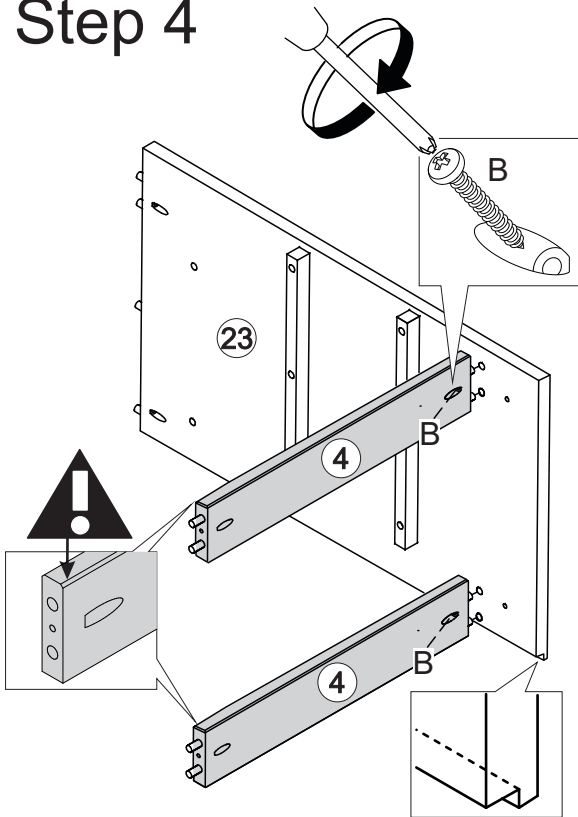


 Please assemble on
a clean soft surface
to avoid damage.

A		Ø8*30mm	07
D		Ø4,0*25mm	12

Insert Wooden dowel (A) into part (22) and (23).
Secure part (27) to part (22) and (23) with screw (D).

Step 4



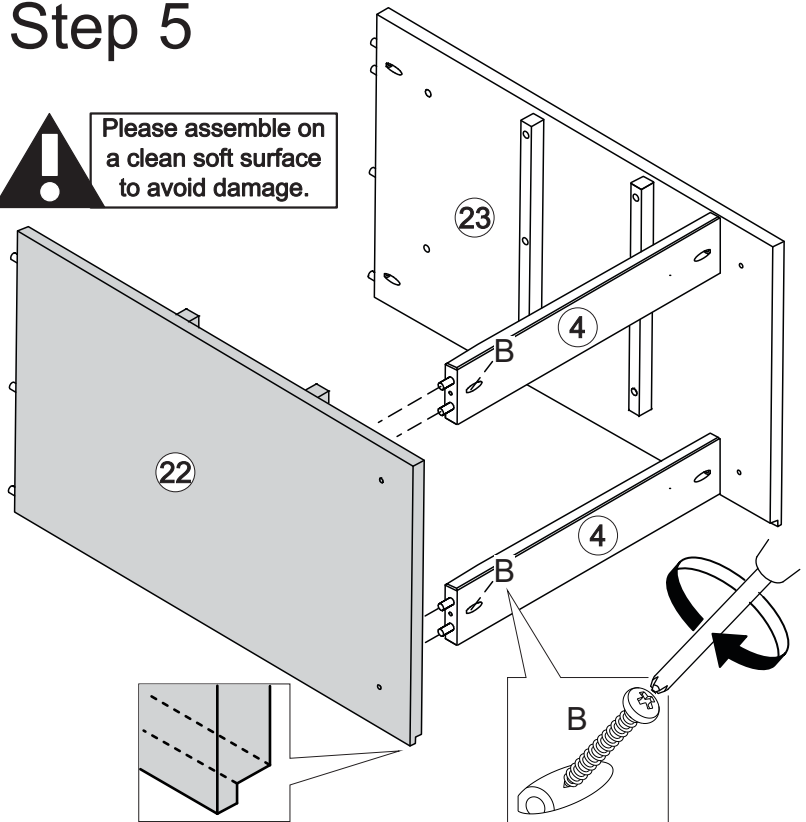
B  Ø3,5*30mm 02

Secure part (4) to part (23) with screw (B).

Step 5



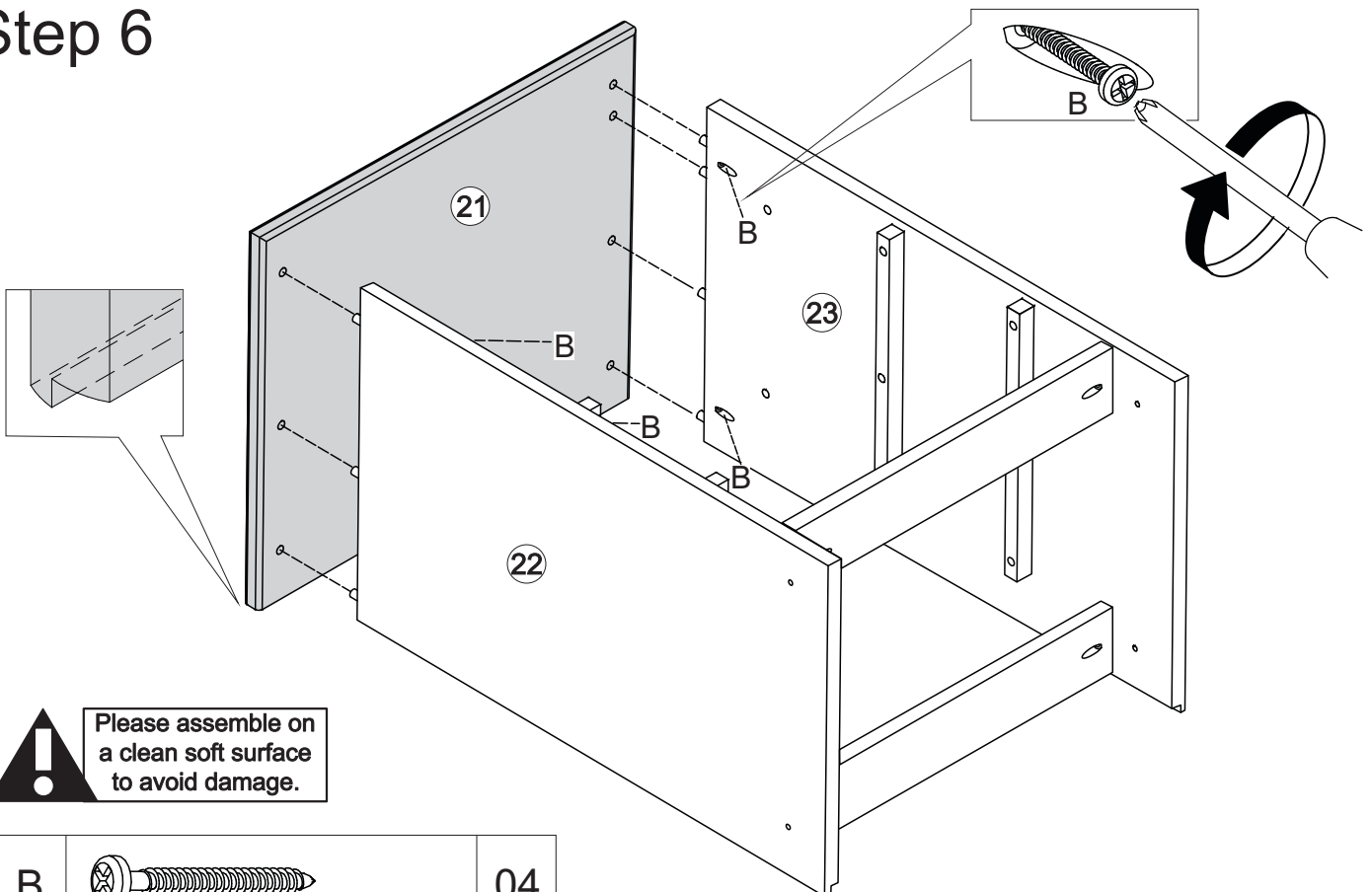
Please assemble on a clean soft surface to avoid damage.




B  Ø3,5*30mm 02

Secure part (4) to part (22) with screw (B).

Step 6



Please assemble on a clean soft surface to avoid damage.

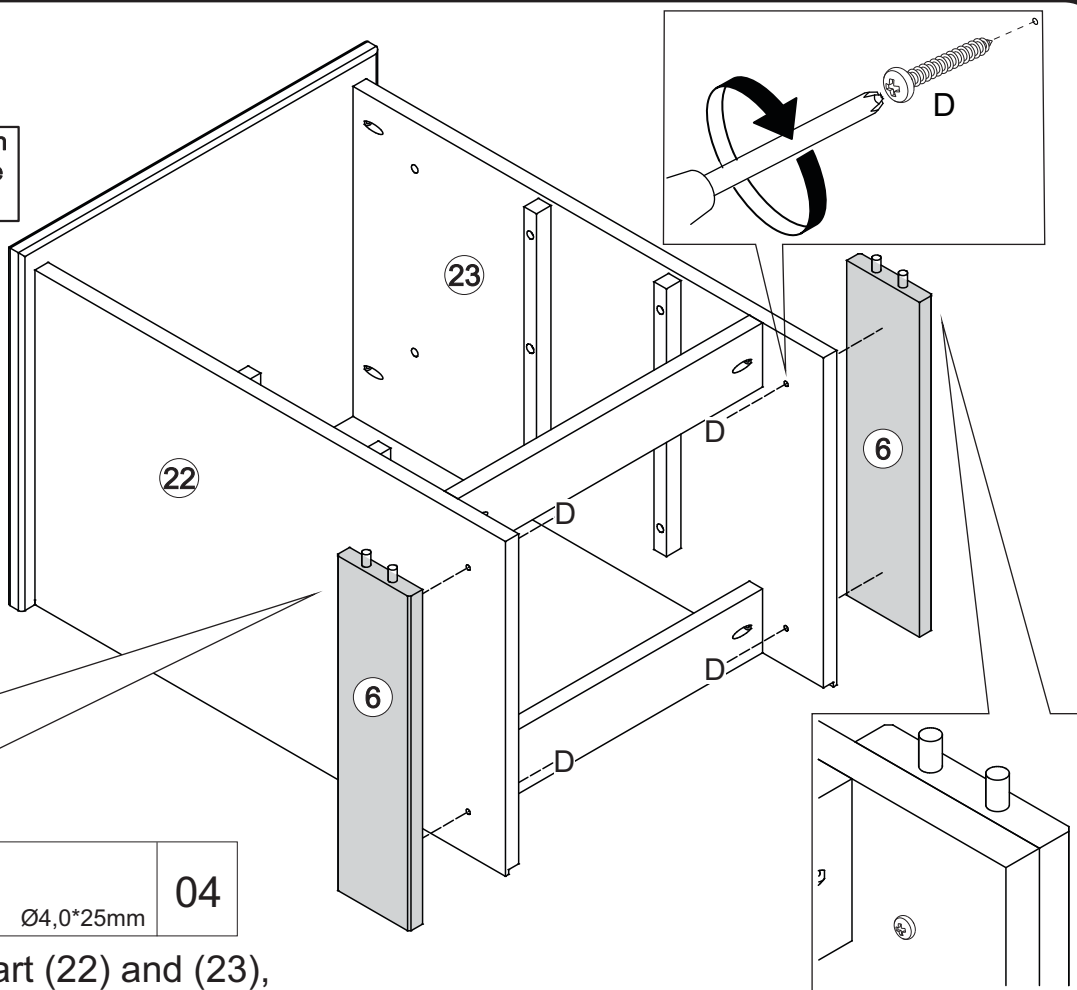
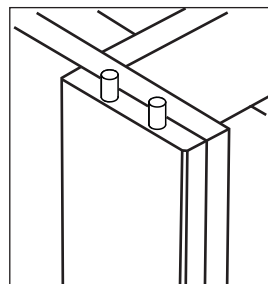
B  Ø3,5*30mm 04

Secure part (21) to part (22) and (23) with screw (B).

Step 7



Please assemble on a clean soft surface to avoid damage.



D

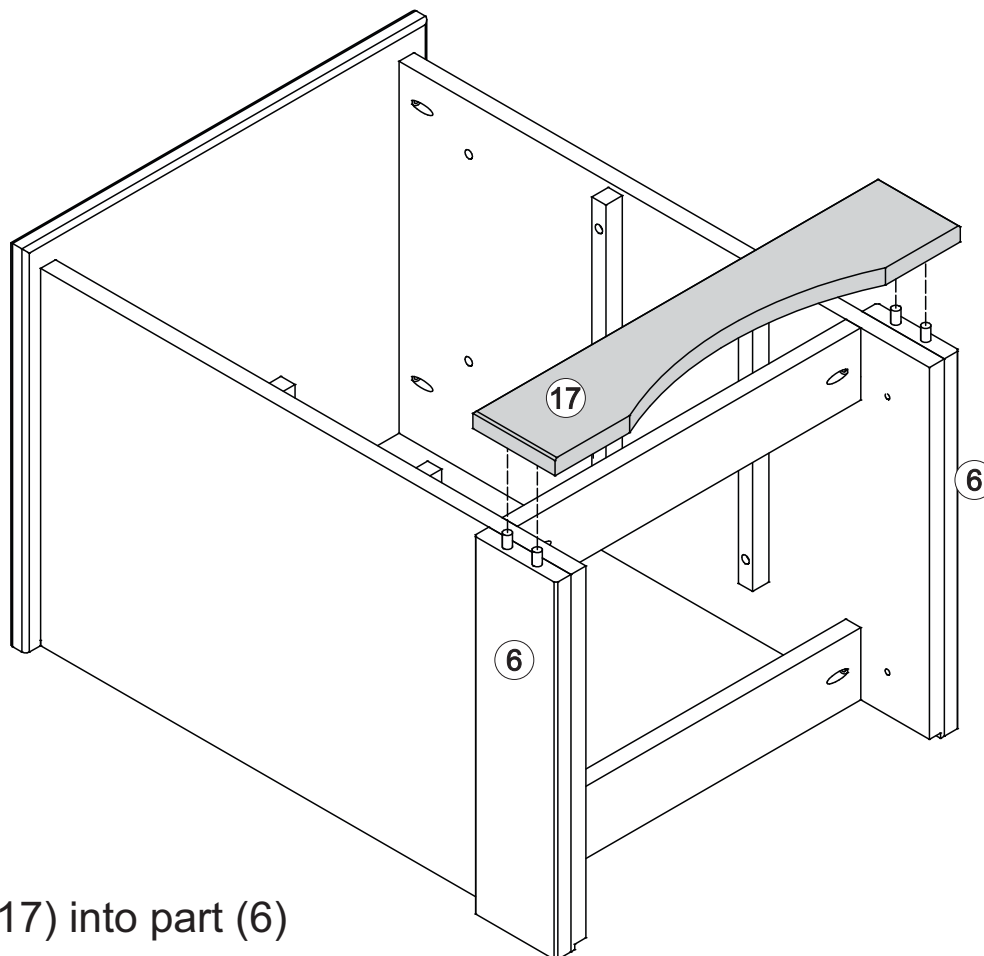


Ø4,0*25mm

04

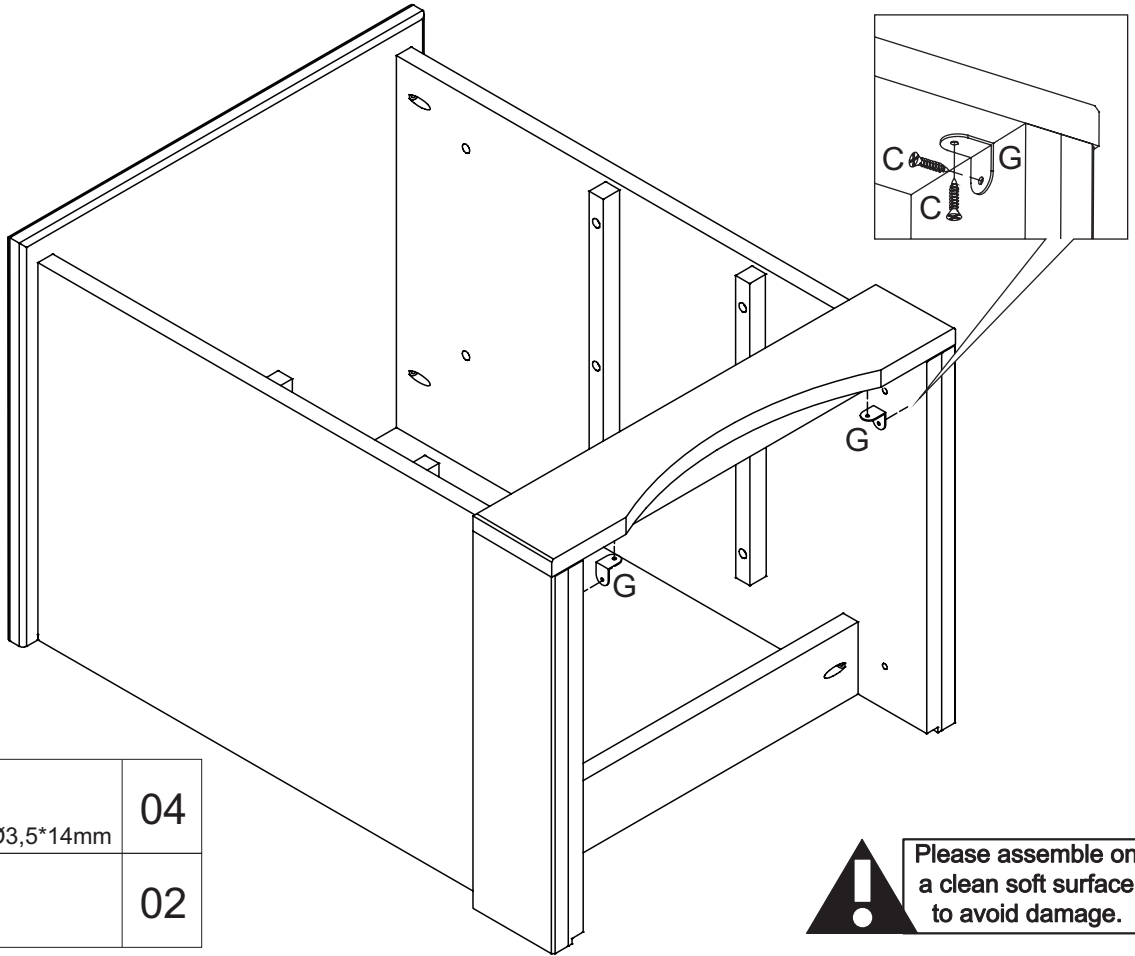
Secure part (6) to part (22) and (23), align at the front and bottom, attached with screw (D).


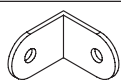
Step 8




Insert part (17) into part (6)

Step 9

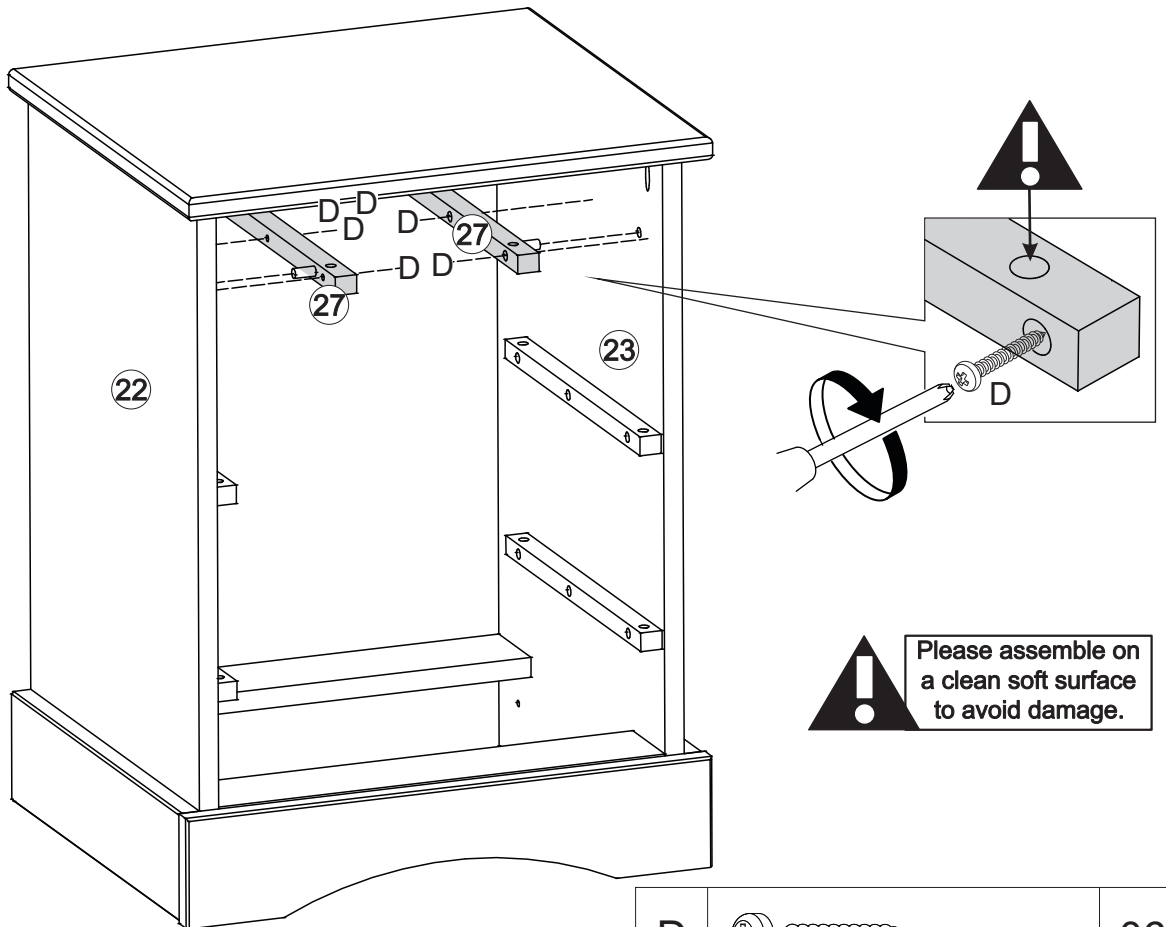



C	 Ø3,5*14mm	04
G		02


 Please assemble on a clean soft surface to avoid damage.

Secure part (17) to part (6) with hardware (G) and screw (C).

Step 10

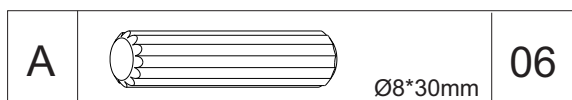
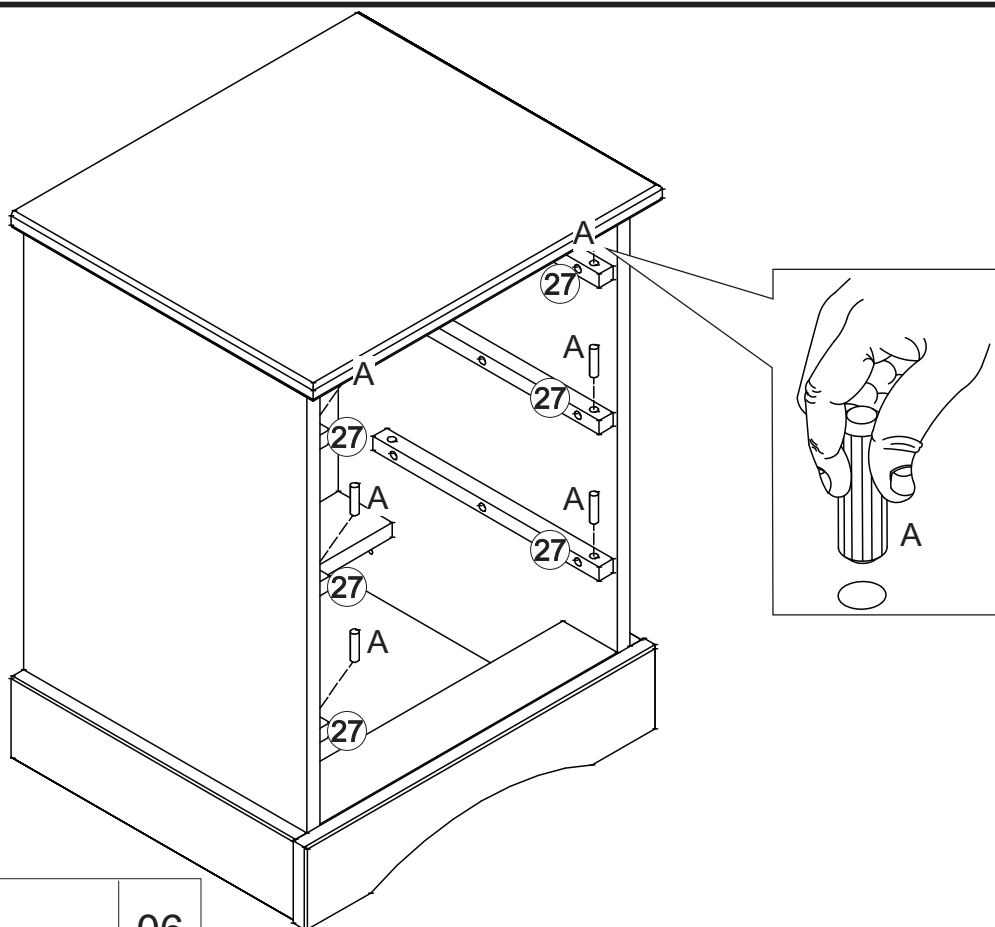


 Please assemble on a clean soft surface to avoid damage.

D		Ø4,0*25mm	06
---	---	-----------	----

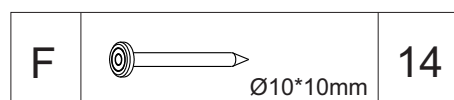
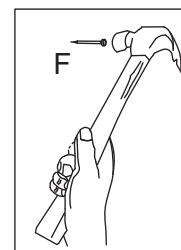
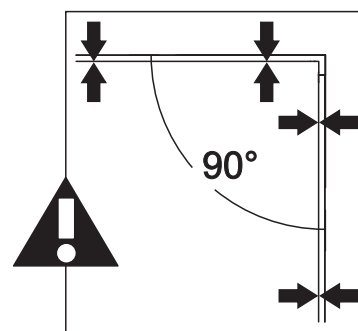
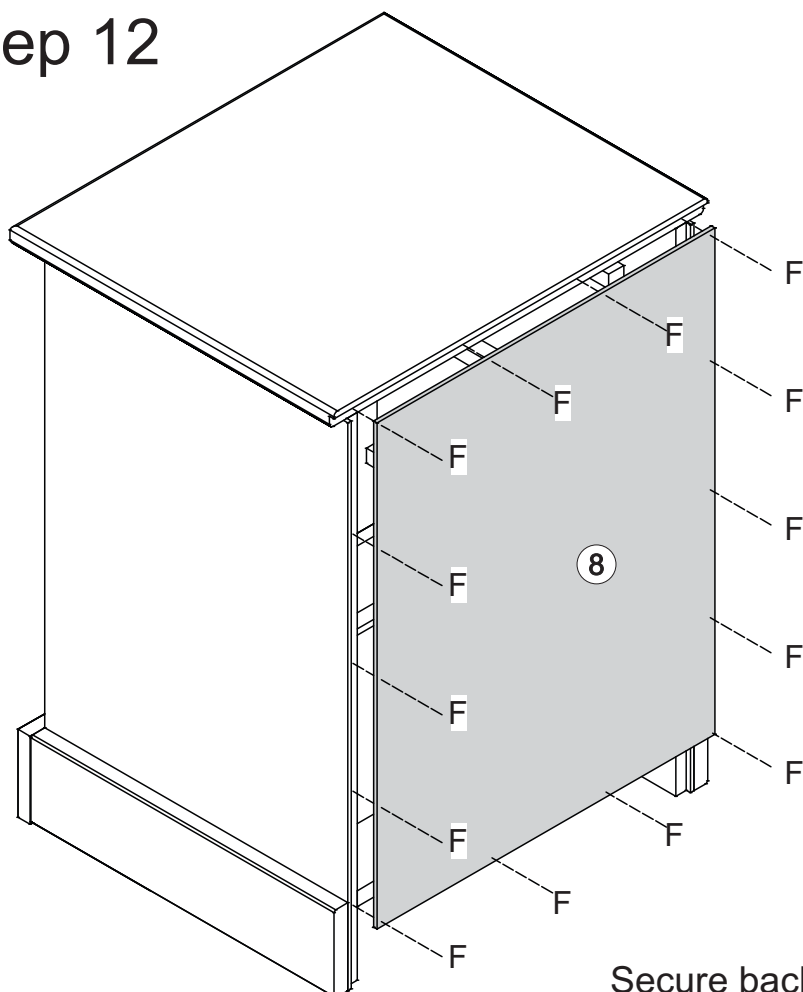
Secure part (27) to part (22) and (23) with screw (D).

Step 11



Insert Wooden dowel (A) into part (27).

Step 12

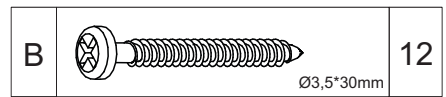
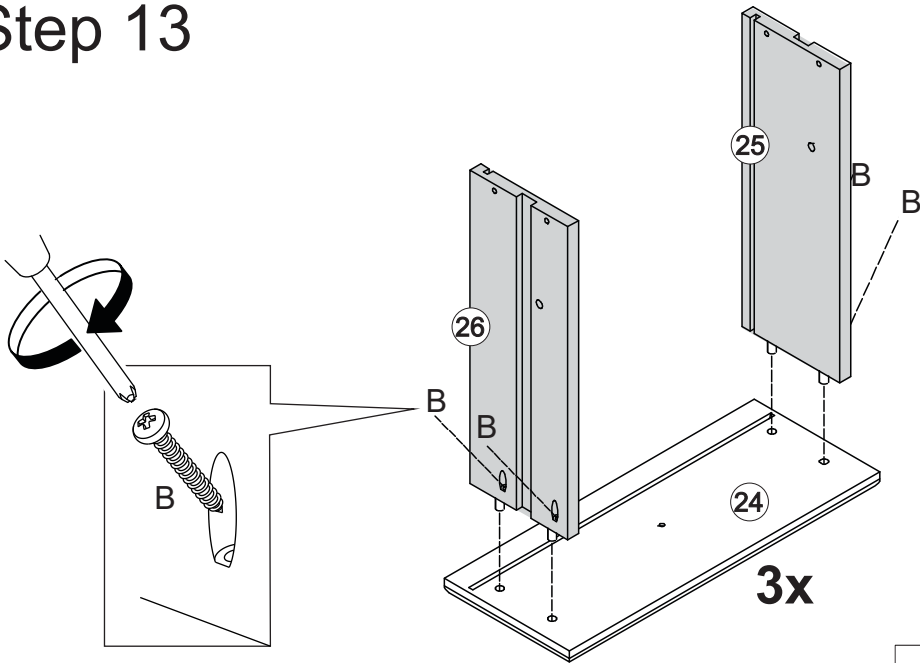


Secure back panel (8) to body with nails (F)

Step 13



Please assemble on a clean soft surface to avoid damage.

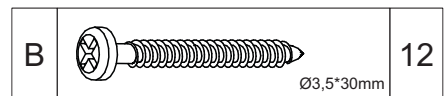
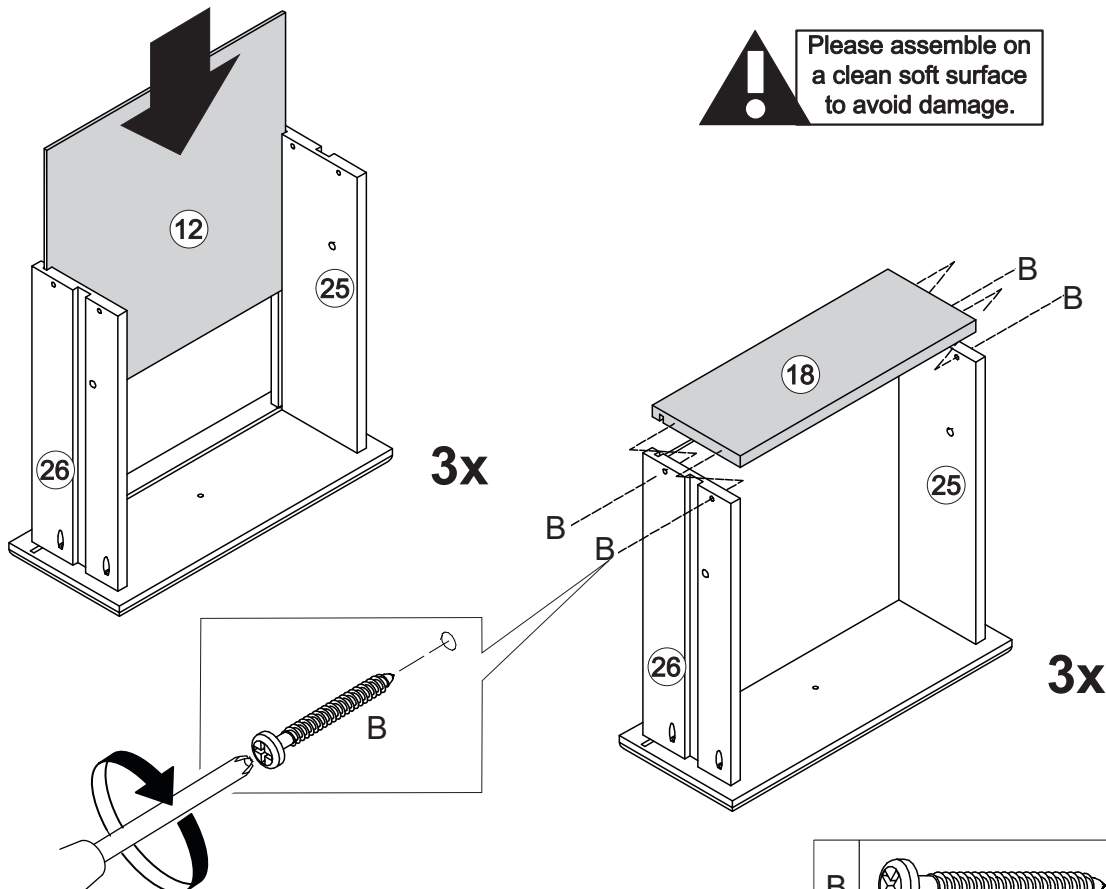


Secure part (25) and (26) to part (24) with screw (B) and Phillips head screwdriver.

Step 14

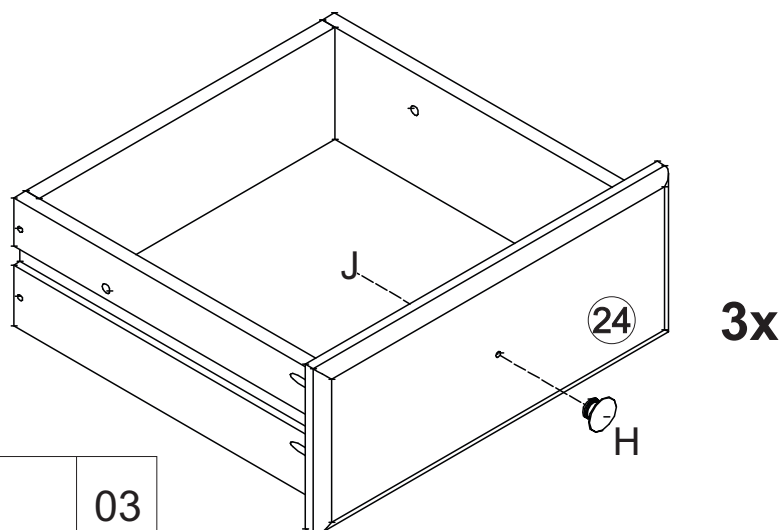



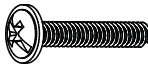
Please assemble on a clean soft surface to avoid damage.



Insert part (12) between parts (25) and (26). Attach part (18) to parts (25) and (26) with screws (B), and Phillips head screwdriver.

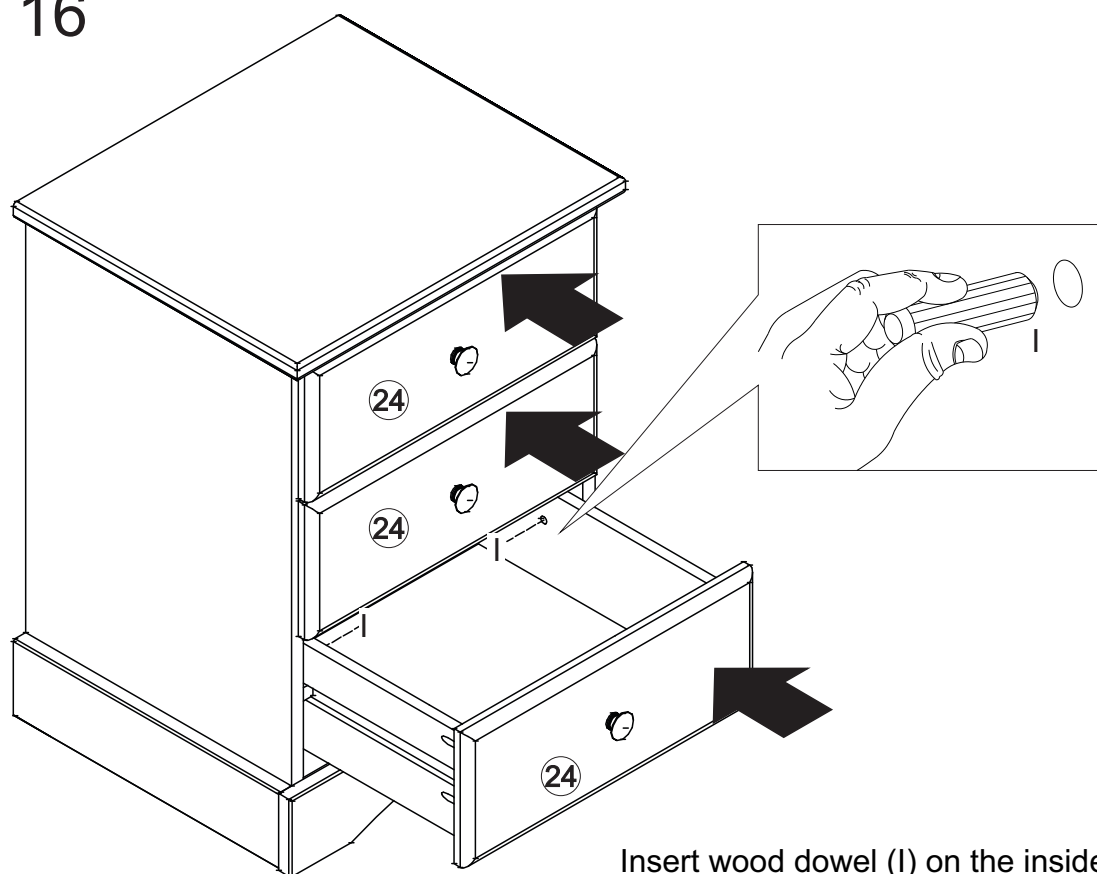
Step 15




H		03
J	 ØM4*22mm	03

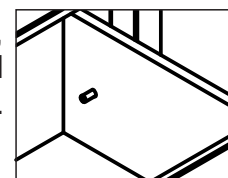
Secure hardware (H) part (24) with screw (J).

Step 16

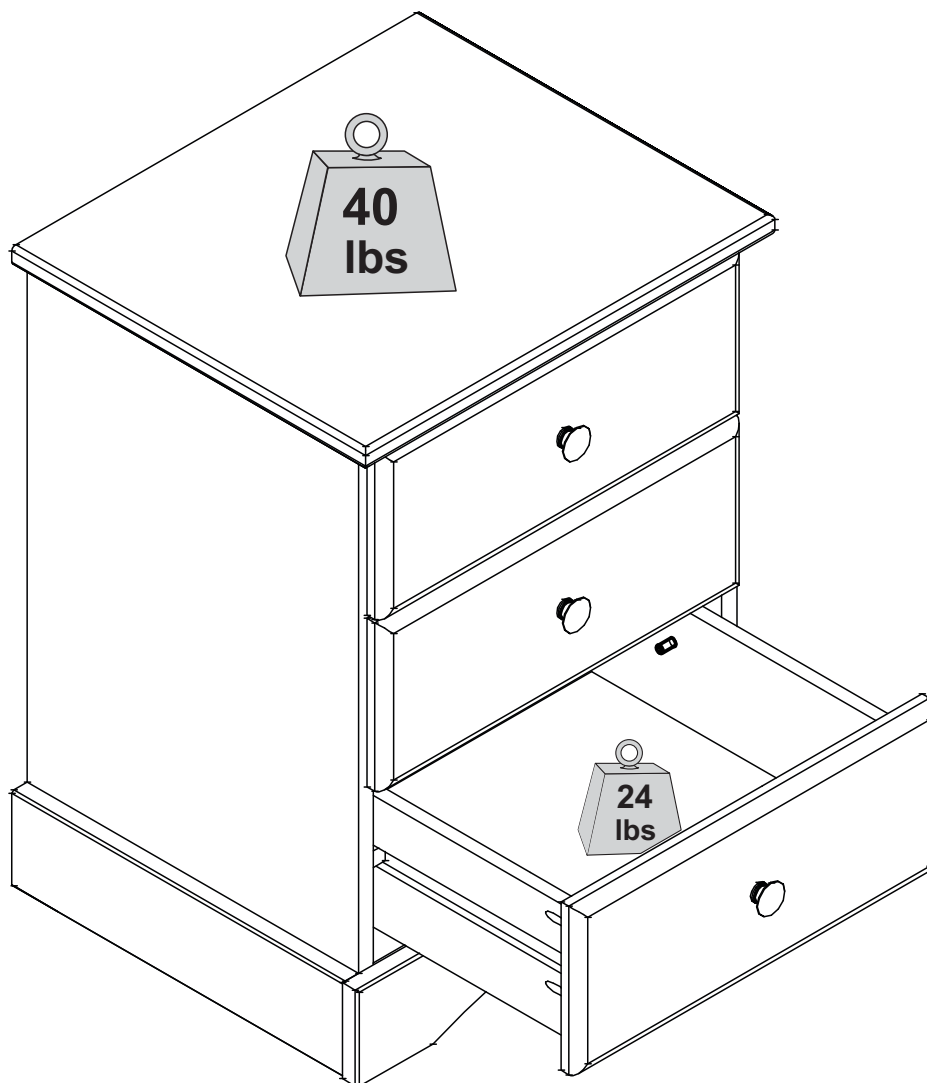


Insert wood dowel (I) on the inside of all drawers, with the drawer inside the unit, after having passed the wood dowel that is in the drawer slide. The dowel is not flush with the panel, it is a little inside the drawer to help when you need to remove the lock dowel to remove the drawer.

I	 Ø8*40mm	06
---	---	----



Step 17



Assembly Complete!