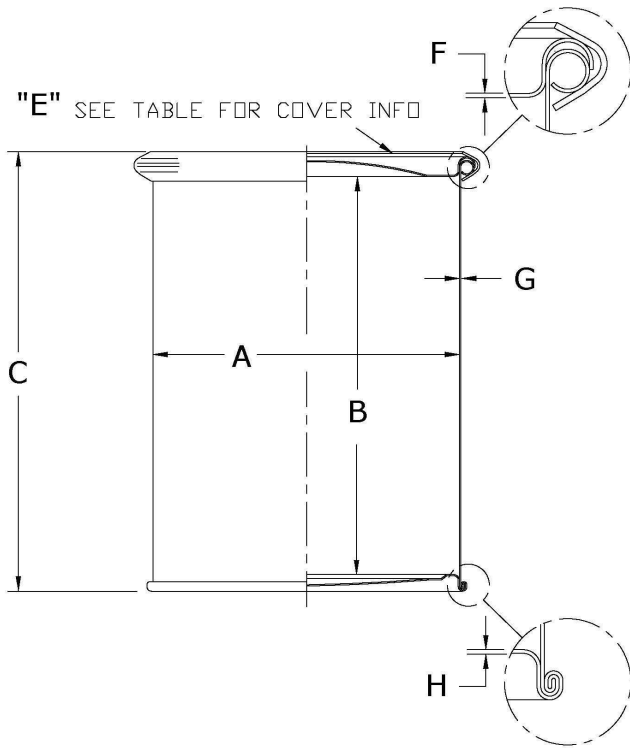


Steel Drum



Specification

UN Marking:	55GAL 11/11/11
Drum Type	Open Head Drum
Diameter (A)	22-1/2"
Nominal Capacity	55 Gallons
Inside Height (B)	33-1/2"
Outside Height (C)	35-1/4"
Weight (lbs)	43#
Thickness Top (F)	1.10 mm / 19 gauge
Thickness Body (G)	1.10 mm / 19 gauge
Thickness Bottom (H)	1.10 mm / 19 gauge
Beads	0
Gasket:	GSK 72 X 7/16 LDSSL WHT
Closing Ring	RB 22 X 12GA RH FL BBQS3 74-5/8"
Top Color	GRAY
Body Color	GRAY
Bottom Color	GRAY
Lining	CLEAR RUST INHIBITOR RDL29LVOC
Lining Quality	HEAVY
Ext. / Decoration / Labels	Mark "P-8609 STC" in C section.
Ext. / Decoration / Labels	Mark julian date in C section
Fitting	NONE
Special Instructions	NONE

DISTRIBUTED BY:



REF NO.:

DWG20443

DESCRIPTION:

55 Gallon Gray Steel OH Drum, Rust Inhibited with Plain Cover

DISCLAIMER

THIS INFORMATION IS PROVIDED AS A GENERAL GUIDE, INCLUDING DIMENSIONS. IT IS THE CUSTOMER'S RESPONSIBILITY TO SELECT THE PROPER CONTAINER FOR PRODUCT AND APPLICATION COMPATIBILITY.