

# KALLISTA®

## Juxtapose® by Mick De Giulio Semi-Professional Faucet P23174-LV

### Features

- A selection of products within this collection is in stock and ready to ship. Please visit [kallista.com/resources/#ReadyToShip](http://kallista.com/resources/#ReadyToShip) for the complete list of Ready-to-Ship products and finishes
- High-quality solid metal construction for durability and reliability
- Spout reach is 9-1/2" (241 mm)
- 1.5 gpm (5.7 lpm) maximum flow rate at 60 psi (4.14 bar)
- Single-hole installation with 360-degree swing spout
- Master Clean sprayface features an easy-to-clean surface that withstands mineral buildup
- Three-function pull-down sprayhead with touch control allows you to switch between stream, Sweep® spray and Boost® technology
- Sweep® spray creates a wide, forceful blade of water for superior cleaning
- Boost® technology increases the flow rate up to 2.2 gpm (8.3 lpm) with the press of a button

### Recommended Products/Accessories

P23175-LV Bar Faucet  
L20309-00 Stainless Steel Kitchen Sink with Deluxe Accessories  
P23148-LV Contemporary filter faucet  
P23181-00 Pot Filler



ADA

CSA B651

### Codes/Standards



ASME A112.18.1/CSA B125.1  
NSF/ANSI/CAN 61  
NSF/ANSI/CAN 372  
DOE - Energy Policy Act 1992  
California Energy Commission (CEC)  
ADA  
ICC/ANSI A117.1  
CSA B651

### KALLISTA® Five-Year Limited Warranty

See website for detailed warranty information.

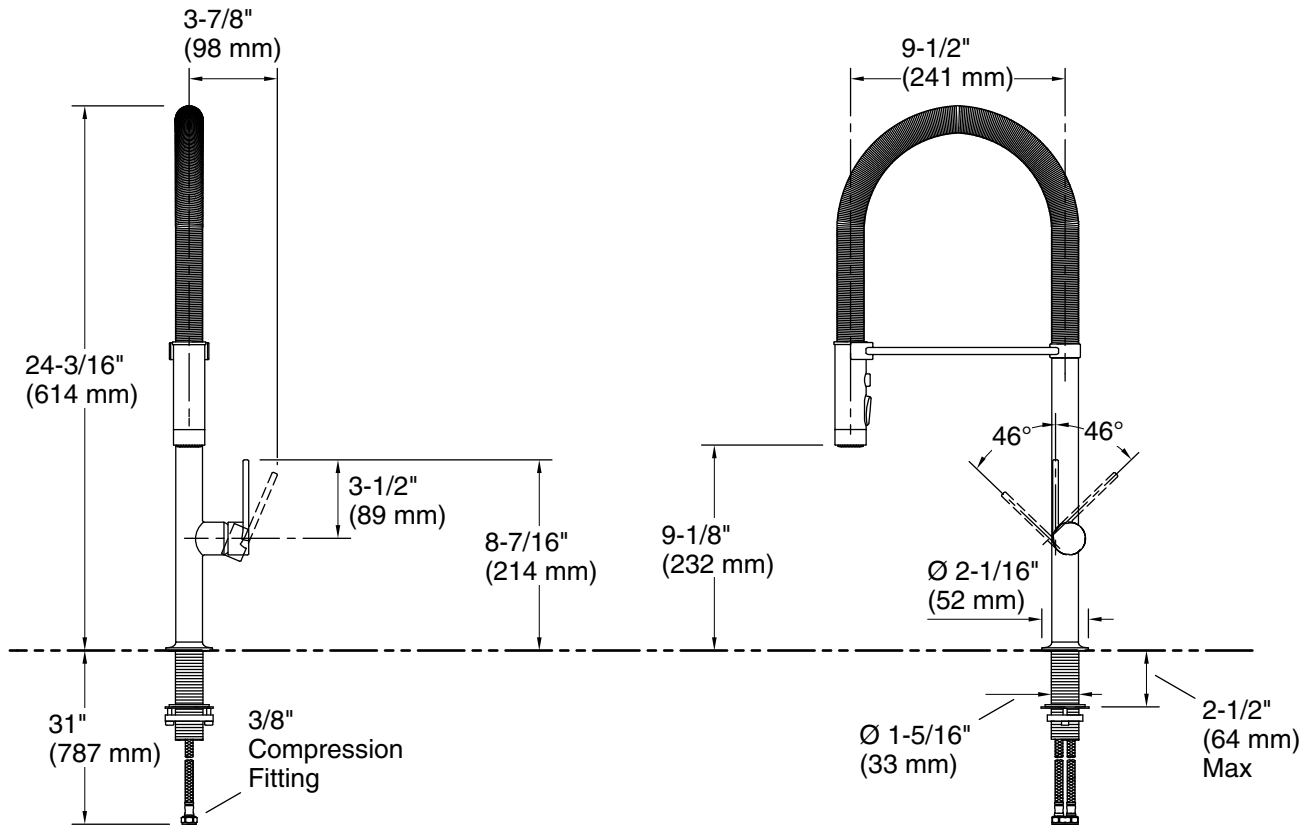
### Available Colors/Finishes

*Color tiles intended for reference only.*

| Color                                                                               | Code | Description     |
|-------------------------------------------------------------------------------------|------|-----------------|
|  | CP   | Polished Chrome |
|  | BL   | Matte Black     |

# KALLISTA

## Juxtapose® by Mick De Giulio Semi-Professional Faucet P23174-LV



### Technical Information

All product dimensions are nominal.

Faucet flow rate: 1.5 gal/min (5.7 l/min)

### Spout:

Spout reach: 9-1/2" (241 mm)

### Pressure/fixture Supply Requirements

Min flow rate: 1.2 gpm (4.5 lpm)

### Notes

Install this product according to the installation instructions.

ADA compliant for faucet handles only  
ADA, CSA B651 compliant when installed to the specific requirements of these regulations.