
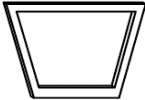
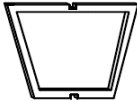






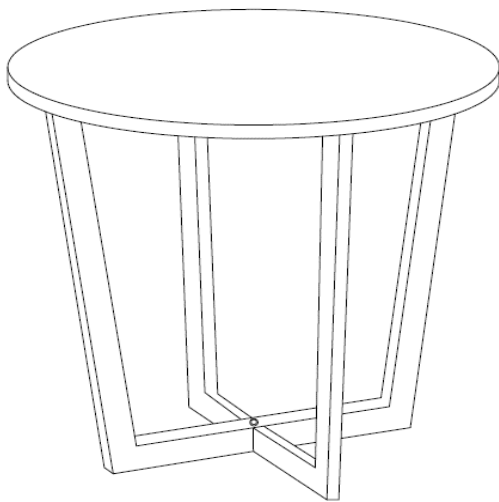


ASSEMBLY INSTRUCTION

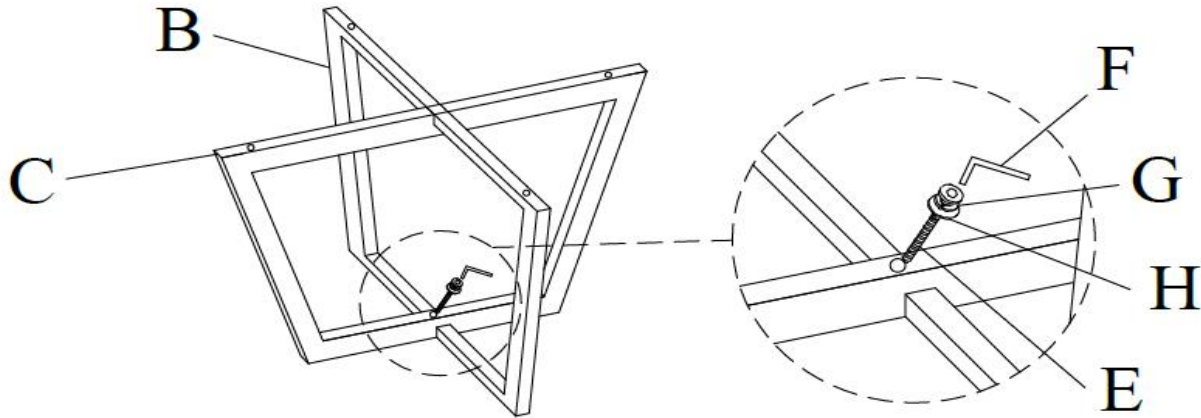
FAUX MARBLE TOP END TABLE

A	Table Top	B	Table Leg-1	C	Table Leg-2	D	JCBC Bolt M6 x 35mm
							
1 pc		1 pc		1 pc		4 pcs	
E	JCBC Bolt M6 x 15mm	F	Allen Key M4	G	Lock Washer M6	H	Flat Washer 1/4"
							
1 pc		1 pc		5 pcs		5 pcs	
I	Leveler M6						
							
4 pcs							

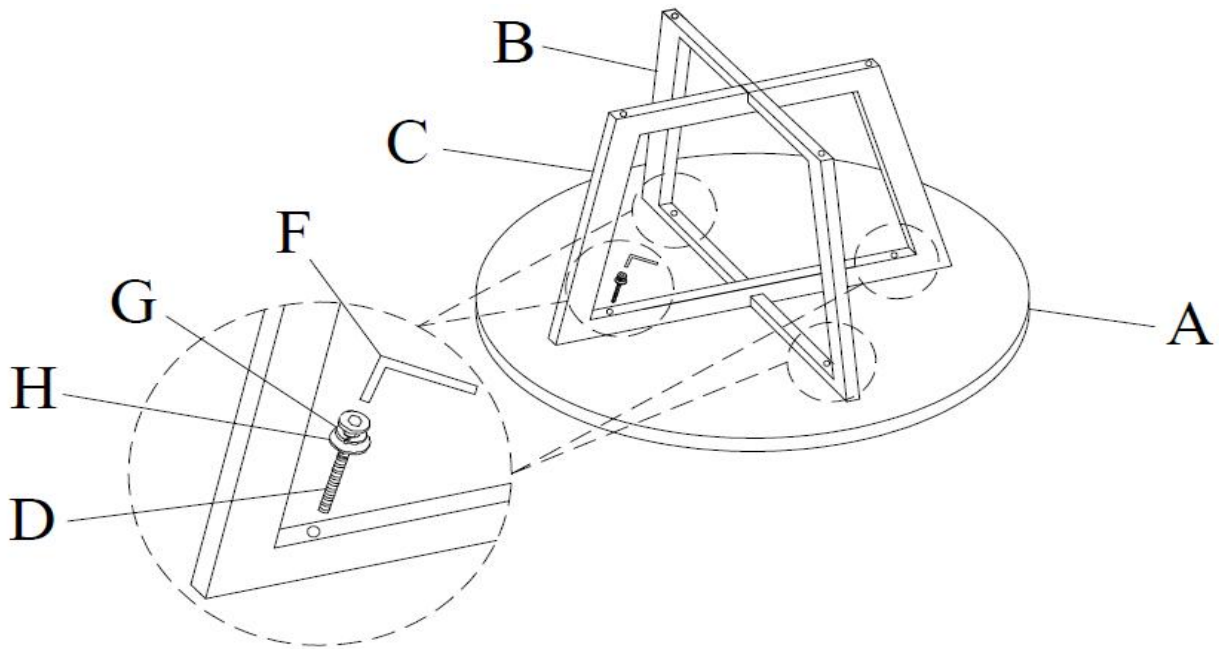


This page lists all the contents included in the box. Please take the time to identify the hardware as well as the individual components to this product. As you unpack and prepare for assembly, place the contents on a carpeted or padded area to protect them from damage.

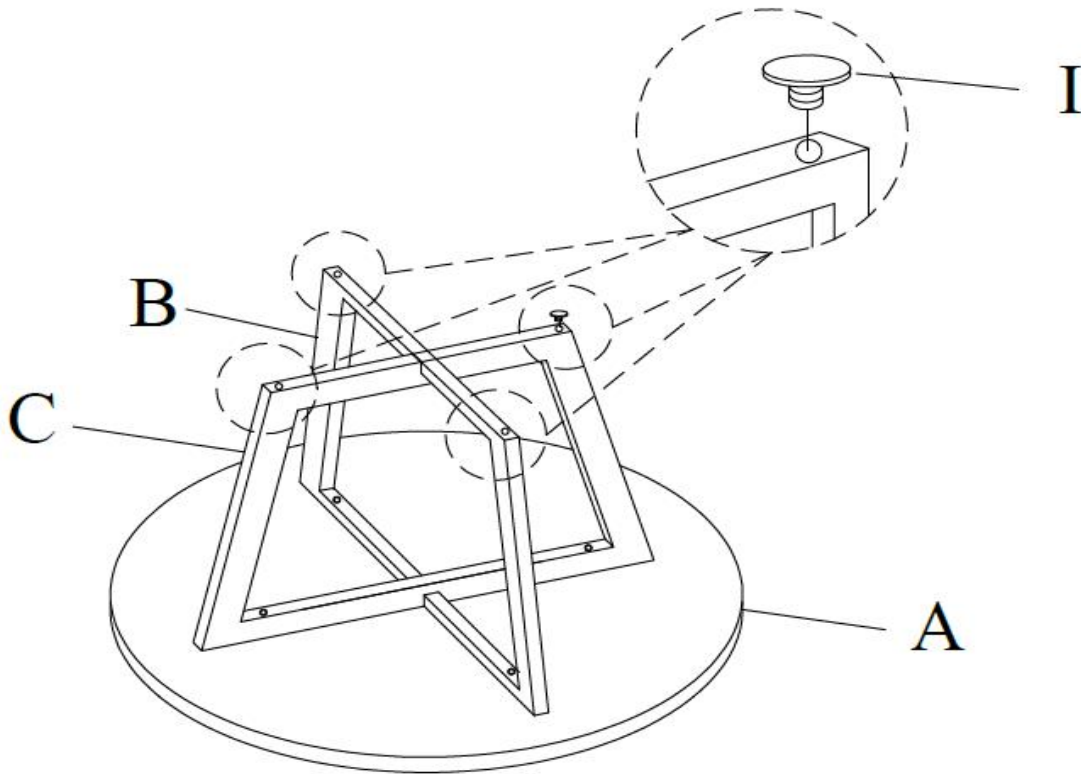
- 1 Place Table Leg-2 (C) and Table Leg-1 (B) on a smooth carpeted surface. Place legs into position, aligning hole of the Table Leg-1 (B) into mortise of Table Leg-2 (C) as shown below. Then insert Lock Washer (G), Flat Washer (H), and JCBC Bolt (E) with Allen Key (F). Do not fully tighten the bolts.



- 2 Place the Table Top (A) upside down on a clean, padded surface. Then secure each side of metal leg to Table Top (A) with Lock Washer (G), Flat Washer (H) and JCBC Bolt (D) and fully tighten with Allen Key (F).



3 Insert Leveler (I) into the pre-drilled holes as shown below.


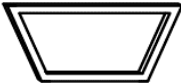









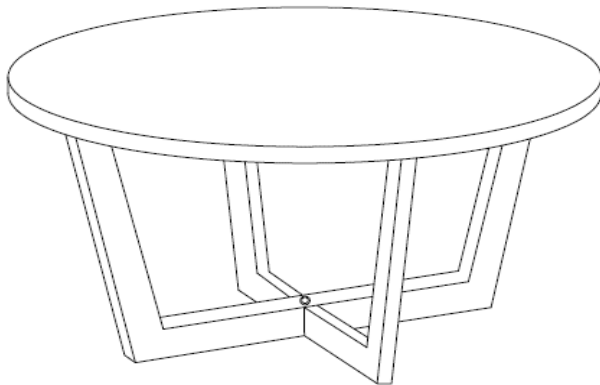
Cleaning & Care

Treat surface with care. Surface is resistant to scratches but is not scratch resistant. Clean surface with a dry or damp soft cloth. Do not use abrasive cleaners. Hardware may loosen over time. Periodically check that all connections are tight.

ASSEMBLY INSTRUCTION

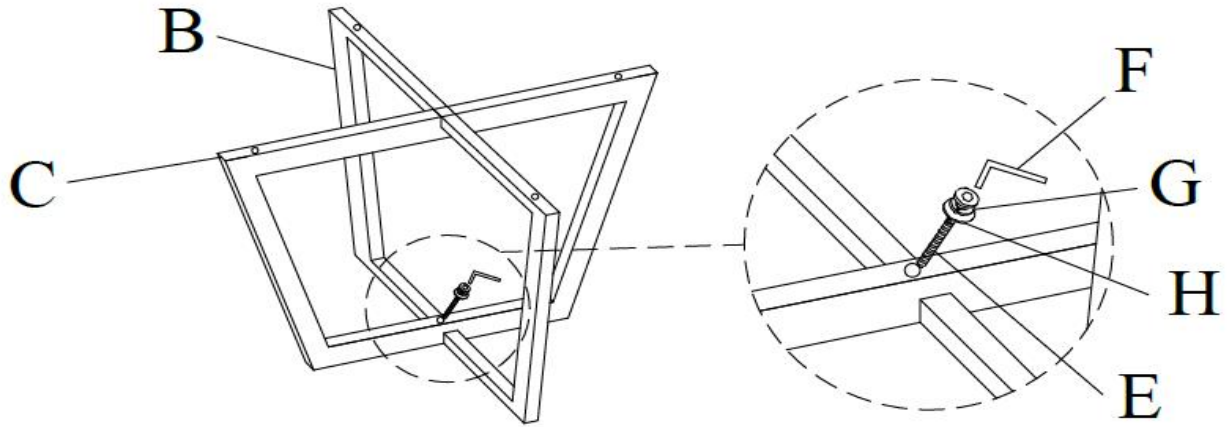
FAUX MARBLE TOP COFFEE TABLE

A	Table Top	B	Table Leg-1	C	Table Leg-2	D	JCBC Bolt M6 x 35mm
							
	1 pc		1 pc		1 pc		4 pcs
E	JCBC Bolt M6 x 15mm	F	Allen Key M4	G	Lock Washer M6	H	Flat Washer 1/4"
							
	1 pc		1 pc		5 pcs		5 pcs
I	Leveler M6						
							
	4 pcs						

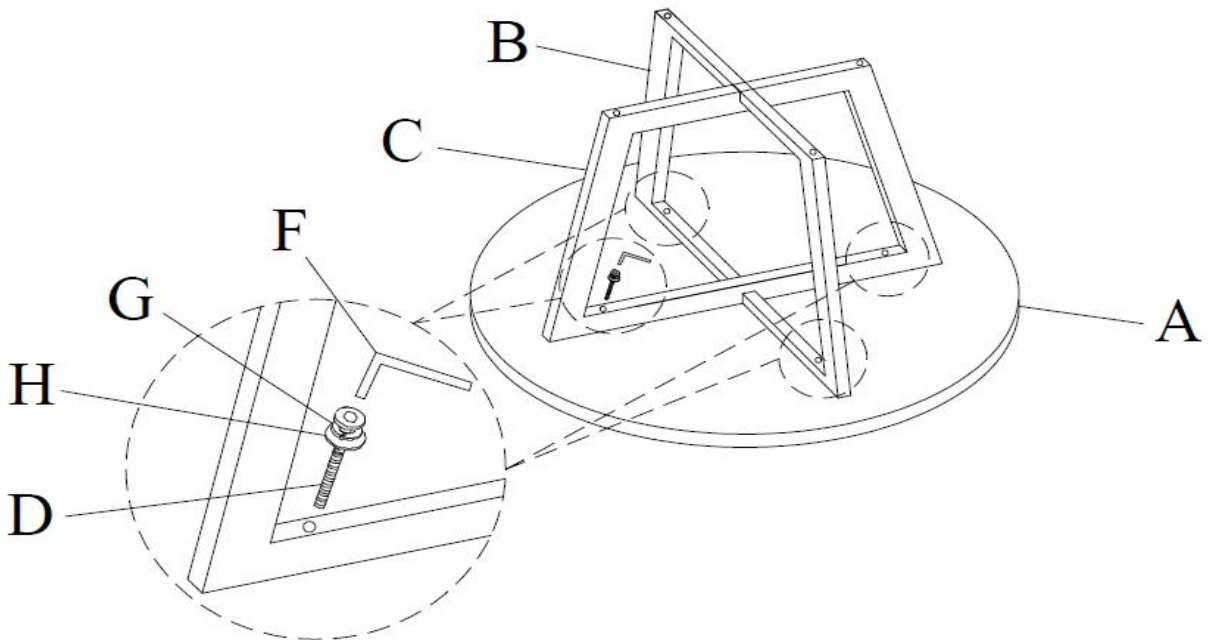


This page lists all the contents included in the box. Please take the time to identify the hardware as well as the individual components to this product. As you unpack and prepare for assembly, place the contents on a carpeted or padded area to protect them from damage.

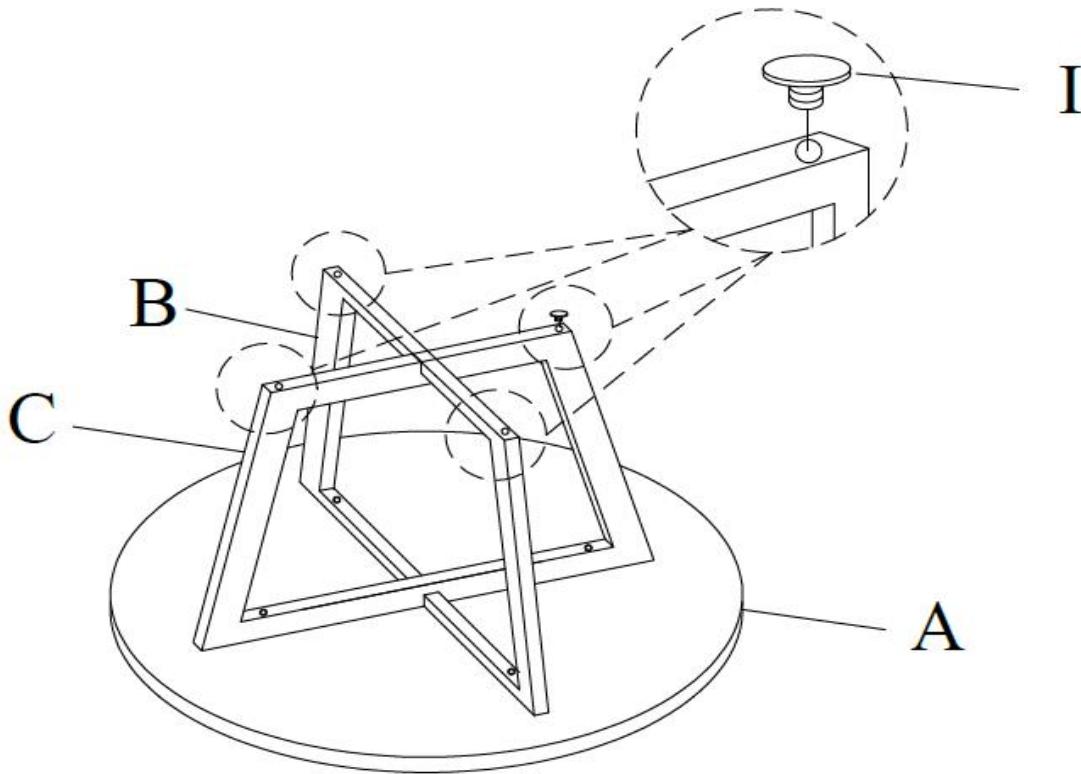
- 1 Place Table Leg-2 (C) and Table Leg-1 (B) on a smooth carpeted surface. Place legs into position, aligning hole of the Table Leg-1 (B) into mortise of Table Leg-2 (C) as shown below. Then insert Lock Washer (G), Flat Washer (H), and JCBC Bolt (E) with Allen Key (F). Do not fully tighten the bolts.



- 2 Place the Table Top (A) upside down on a clean, padded surface. Then secure each side of metal leg to Table Top (A) with Lock Washer (G), Flat Washer (H) and JCBC Bolt (D) and fully tighten with Allen Key (F).



3 Insert Leveler (I) into the pre-drilled holes as shown below.



Cleaning & Care

Treat surface with care. Surface is resistant to scratches but is not scratch resistant. Clean surface with a dry or damp soft cloth. Do not use abrasive cleaners. Hardware may loosen over time. Periodically check that all connections are tight.