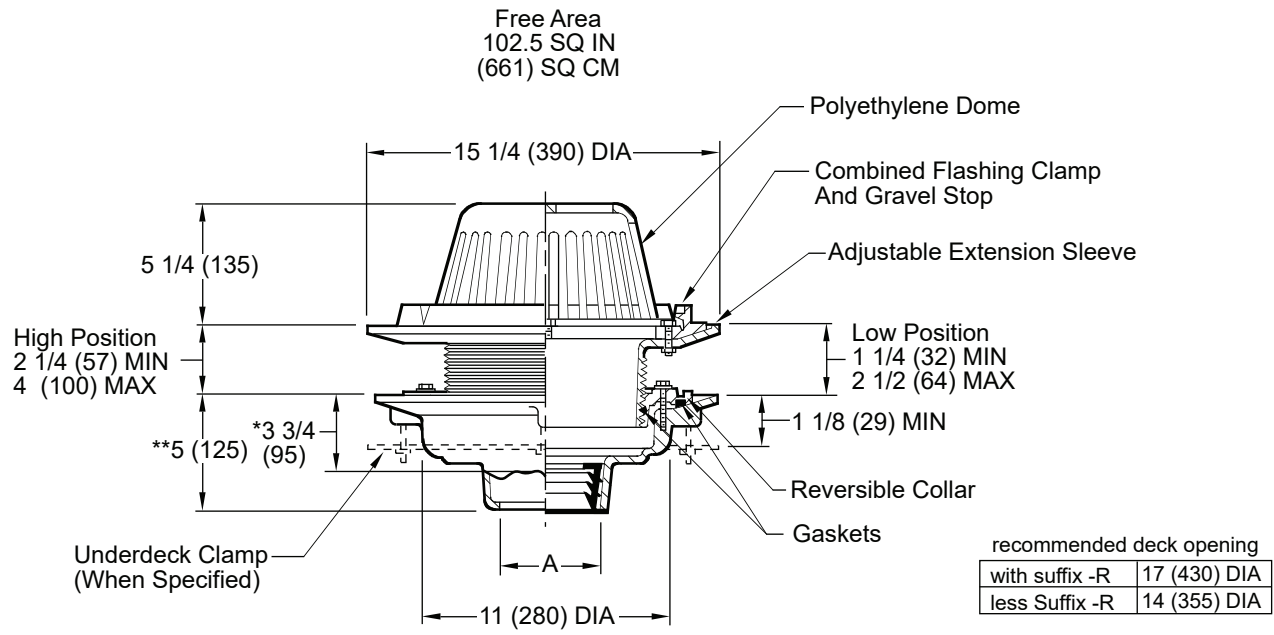


GENERAL PURPOSE ROOF DRAINS

ROOF DRAIN WITH ADJUSTABLE EXTENSION



*This dimension to internal stop of Speedi-Set® Gasket
 **Same for Caulk, NO-HUB and Speedi-Set®, 3 3/4 (95) for Threaded
 A (Pipe Size) = 02(50), 03(75), 04(100), 05(125) or 06(150)

- Fig. 1015C CAULK OUTLET
- Fig. 1015T THREADED OUTLET
- Fig. 1015Y NO-HUB OUTLET

REGULARLY FURNISHED:
 Duco Cast Iron Body with Adjustable Extension Sleeve, Reversible Collar, Combined Flashing Clamp and Gravel Stop with Polyethylene Dome.

Note: See reverse side for assembly instructions.

NOTE: Dimensions shown in parentheses are in millimeters.

VARIATIONS:

- Expansion Joint (Specify Fig. 1710)
- "L" Shaped Underdeck Clamp -CL
- L Speedi-Set® Service Weight 02(50), 03(75) & 04(100)" sizes only
- LXH Speedi-Set® Extra Heavy 02(50), 03(75) & 04(100)" sizes only
- Secondary Flashing Clamp -C2 (See 1015-C2 Submittal)
- Sump Receiver -R
- Underdeck Clamp -C
- Vandal Proof Dome -U
- Side Outlet Drain (Specify Fig. 1025)
- Roof Deck Plate -RDP

OPTIONAL MATERIALS:

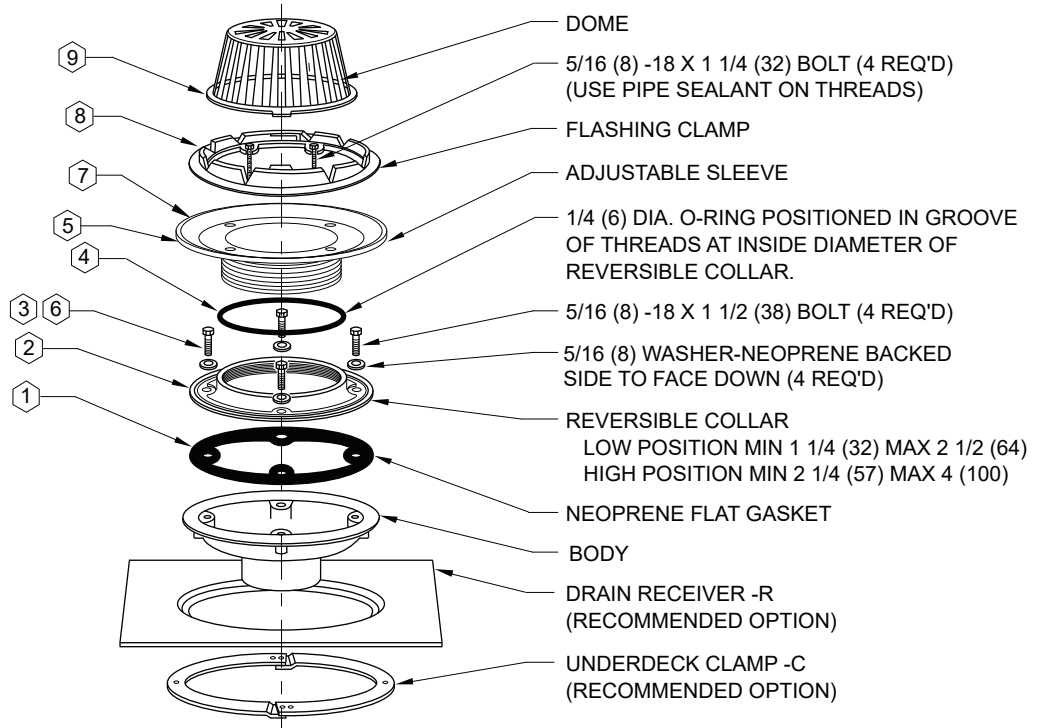
- ▲ Aluminum Dome -AD
- ▲ Cast Iron Dome -CID
- ▲ Galvanized Cast Iron -G
- ▲ Rough Bronze Dome -RBD
- High Flow Collar and Polyethylene Dome -HFP
- High Flow Collar and Vandal Proof Polyethylene Dome -HFPU

▲ **Optional domes' free area are as follows:**
 Aluminum 98 (632)
 Cast Iron 80 (516)
 Bronze 95 (613)

DRAWING NUMBER S1015
 SIZE A
 SCALE: NONE
 DATE: 12-19-84
 APPROVED BY: JD
 CHECKED BY: VGD
 DRAWN BY: CMB
 FIGURE NUMBER 1015
 DIMENSIONS ARE SUBJECT TO MANUFACTURERS TOLERANCE AND CHANGE WITHOUT NOTICE
 WE CAN ASSUME NO RESPONSIBILITY FOR USE OF SUPERSEDED OR VOID DATA

REV.	DATE	DESCRIPTION	BY	CKD. BY	WEIGHT POUNDS	VOLUME CUBIC FEET	FIGURE NUMBER <h1 style="margin: 0;">1015</h1>
		1-13-26 Revised Optional Materials 8-22-24 Revised Variations 3-25-24 Revised Variations, Fig. Opts 9-27-23 Removed Function					

ADJUSTABLE ROOF DRAIN



DRAWING NUMBER S1015BS
SIZE A
SCALE: NONE
DATE: 6-29-88
APPROVED BY: TD
CHECKED BY: MCD
DRAWN BY: EMB

WE CAN ASSUME NO RESPONSIBILITY FOR USE OF SUPERSEDED OR VOID DATA

1015BS
DIMENSIONS ARE SUBJECT TO MANUFACTURERS TOLERANCE AND CHANGE WITHOUT NOTICE

- | | |
|--|--|
| <p>① *Position flat gasket on drain body, align holes in gasket with holes in body.</p> <p>② Determine if reversible collar is to be installed in the low (1 1/4" to 2 1/2") or high (2 1/4" to 4") position.</p> <p>②a *Place reversible collar on body and align holes in collar with holes in gasket and body.</p> <p>③ Secure collar to body with 1 1/2" long bolts insuring neoprene backed washers are installed with neoprene side facing down at proper locations between top of reversible collar and bolt head. Tighten bolts in the following manner: 1, 3, 2 & 4. Tighten No. 1 bolt approximately one full turn then No. 3, No. 2 and No. 4 (same manner as for No. 1). Continue this method until reversible ring has been secured evenly all around.</p> <p>④ Wipe "O" Ring recess in reversible collar clean. Insert dry "O" Ring in groove of threads at inside diameter of reversible collar. Lubricate the face of "O" Ring in it's entirety with (1) tube of the lubricant provided and remaining threads.</p> | <p>⑤ Lubricate liberally the entire lead-in chamfer and first 2 threads of the adjustable sleeve. Thread adjustable sleeve into reversible collar and adjust to required height. Do not exceed minimum/maximum adjustment dimensions.</p> <p>⑥ Check bolts a final time to insure tightness.</p> <p>⑦ Run waterproofing membrane over top of adjustable sleeve to inside of bolt circle.</p> <p>⑧ Install flashing clamp and secure with (4) bolts, use pipe sealant on threads. Again tighten bolts in the 1, 3, 2, 4 manner. (See ③)</p> <p>⑨ Install Dome</p> |
|--|--|

*Note when -C2 secondary flashing clamp option is supplied the ① flat gasket is not supplied. The -C2 option is for when a water proofing membrane is to be applied to the drain body flange and clamped with the ②a reversible collar in place of the flat gasket.

NOTE: DO NOT STACK MULTIPLE ADJUSTABLE EXTENSIONS

NOTE: Dimensions shown in parentheses are in millimeters.

REV.	DATE	DESCRIPTION	BY	CKD. BY	WEIGHT POUNDS	VOLUME CUBIC FEET	FIGURE NUMBER
							1015BS