



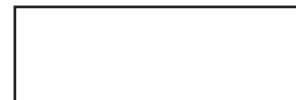
PROPANE FIRE PIT USER GUIDE



1123044 &
112214367

⚠ WARNING

INSTALLER: Leave this manual with the appliance.
CONSUMER: Retain this manual for future reference.



WARNINGS

⚠ WARNING

FOR OUTDOOR USE ONLY.

Installation and service must be performed by a qualified installer, service agency or gas supplier.

⚠ WARNING

FOR YOUR SAFETY:

If the information in this manual is not followed exactly, a fire or explosion may result causing property damage, personal injury or loss of life.

WHAT TO DO IF YOU SMELL GAS:

- Do NOT try lighting any appliance.
- Do NOT touch any electrical switch; do NOT use any phone in your building.
- Immediately call your gas supplier from a neighbor's phone.
- Follow the gas supplier's instructions.
- If you cannot reach your gas supplier, call the fire department.

Do NOT use for cooking.

⚠ WARNING

FOR YOUR SAFETY:

Improper installation, adjustment, alteration, service or maintenance can cause injury or property damage.

Read the installation, operation and maintenance instructions thoroughly before installing or servicing this equipment.

⚠ DANGER

Do NOT leave this appliance unattended while it is in operation.

⚠ DANGER

FIRE OR EXPLOSION HAZARD

If you smell gas:

- Shut off gas to appliance.
- Extinguish any open flame.
- If odor continues, leave the area immediately.
- After leaving the area, call your gas supplier or fire department.

Failure to follow these instructions could result in fire or explosion, which could cause property damage, personal injury, or death.

⚠ WARNING

FOR YOUR SAFETY:

1. Do not store or use gasoline, or other flammable vapors and liquids, in the vicinity of this or any other appliance.
2. An LP-cylinder not connected for use shall not be stored in the vicinity of this or any other appliance.

⚠ DANGER

CARBON MONOXIDE HAZARD

This appliance can produce carbon monoxide which has no odor.



Using it in an enclosed space can kill you. Never use this appliance in an enclosed space such as a camper, tent, car or home.

TABLE OF CONTENTS

Warnings	2
Parts List	8
Assembly Instructions	10
Installing LP Tank	16
Checking for Leaks	19
Burner Lighting	21
Extinguishing Your Fire	23
Before & After Use	23
Basin Cover & Lava Rocks	24
Care & Maintenance	26
Troubleshooting	28
Limited Warranty	31

The use and installation of this product must conform to local codes. In absence of local codes, use the latest edition of the National Fuel Gas Code, ANSI Z223.1/NFPA 54; Natural Gas and Propane Installation Code, CSA B149.1; or Propane Storage and Handling Code, CSA B149.2, as applicable.

THIS INSTRUCTION BOOKLET CONTAINS IMPORTANT SAFETY INFORMATION. PLEASE READ AND KEEP FOR FUTURE REFERENCE.

If you are assembling this unit for someone else, give this manual to them to read and save for future reference.

WARNING

This product can expose you to chemicals, including carbon monoxide, soot, Diisononyl Phthalate (DINP), lead and lead components which are known to the State of California to cause cancer, birth defects, and other reproductive harm. **Wash your hands after handling this product. For more information go to www.P65Warnings.ca.gov.**

WARNINGS

▲ **DANGER:** Failure to follow the dangers, warnings and cautions in this manual may result in serious bodily injury or death, or in a fire or an explosion causing damage to property.

▲ **WARNINGS:**

- Do NOT use this propane fire pit without reading the entire owner's manual.
- This appliance is for outdoor use only, and should NOT be used in a building, garage or any other enclosed area.
- Minimum clearance from all sides of the unit to combustible constructions: 48" (121.9 cm), minimum clearance from the top: 60" (152.4 cm).
- For residential use only. This propane fire pit is NOT for commercial use.
- Do NOT use this propane fire pit for indoor heating. TOXIC carbon monoxide fumes can accumulate and cause asphyxiation.
- This propane fire pit is safety certified for use in the United States only. Do NOT modify or use in any other location. Modification of propane fire pit will result in a safety hazard and will void your warranty.
- Apartment dwellers: Check with management to learn the requirements and fire codes for using a liquid propane (LP) gas propane fire pit in your apartment complex. If allowed, use outside on the ground floor with a 48' (121.9 cm) clearance from any structure and clearance from the top at 60" (152.4 cm). Do NOT use on or under balconies.
- This propane fire pit, from the factory, is for use with LP gas only. The conversion to or attempted use of natural gas in this propane fire pit is dangerous, may cause bodily harm and will void your warranty.

▲ **LP GAS CHARACTERISTICS:**

- a. LP gas is flammable and hazardous if handled improperly. Become aware of the characteristics before using any LP gas product.
 - b. LP gas is explosive under pressure, heavier than air, and settles/pools in low areas.
 - c. LP gas in its natural state has no odor. For your safety, an odorant is added that smells like rotten cabbage.
 - d. Contact with LP gas can cause freeze burns to skin.
- ▲ LP gas tank needed to operate. Only tanks marked "propane" may be used.
- a. The LP gas cylinder must be constructed and marked in accordance with the U.S. Department of Transportation (D.O.T.) Specifications for LP-Gas Cylinders, or the Standard for Cylinders, Spheres and Tubes for the Transportation of Dangerous Goods and Commission, CAN/CSA-B339 as applicable.
 - b. LP gas tank must be arranged for vapor withdrawal.
 - c. The LP gas tank must have a listed overfilling prevention device (OPD) and a QCC1 or Type1 (GCA810) LP gas tank connection.
 - d. The LP gas tank must have a tank collar to protect the tank valve.
 - e. Never use an LP gas tank with a damaged body, valve, collar or footing.
 - f. Dented or rusted LP gas tanks may be hazardous and should be checked by your LP gas supplier prior to use.
 - g. The LP gas tank should not be dropped or handled roughly.

WARNINGS

h. Tanks must be stored outdoors, out of the reach of children and must not be stored in a building, garage or any other enclosed area. Your LP gas tank must never be stored where temperatures can reach over 125°F

i. Do NOT insert any tool or foreign object into the valve outlet or safety relief valve. You may damage the valve and cause a leak. Leaking propane may result in explosion, fire, severe personal injury or death.

j. Never keep an LP gas tank in a hot car or trunk. Heat will cause the gas pressure to increase, which may open the relief valve and allow gas to escape.

k. Place dust cap on cylinder valve outlet whenever the cylinder is not in use. Only install the type of dust cap on the cylinder valve outlet that is provided with the cylinder valve. Other types of caps or plugs may result in leakage of propane.

l. Do NOT store a spare LP gas tank under or near this appliance.

m. Never fill the cylinder beyond 80% full.

n. A fire causing serious injury or damage to property may occur if the above is not followed exactly.

- Your propane fire pit has been checked at all factory connections for leaks. Recheck all connections as described in the “Operating Instructions” section, as shipping can loosen connections.

- Check for leaks even if your unit was assembled for you by someone else.

- Do NOT operate if a gas leak is present. Gas leaks may cause a fire or explosion.

- You must follow all instructions in the “Checking for Leaks” section before operating. To prevent a fire or explosion when testing for a leak:

- a. Always perform a leak test before lighting this propane fire pit and each time the tank is connected for use.

- b. No smoking. Do NOT use or permit sources of ignition in the area while conducting a leak test

- c. Conduct the leak test outdoors in a well-ventilated area.

- d. Do NOT use matches, lighters or a flame to check for leaks.

- e. The use of alcohol, prescription or non-prescription drugs may impair the consumer’s ability to properly assemble or safely operate the appliance.

- f. Strong odors, colds, sinus congestion, etc. may prevent the detection of propane. Use caution when testing for leaks.

- g. Do NOT use this propane fire pit until all leaks are corrected. If you are unable to stop a leak, disconnect the LP gas supply. Call a gas appliance serviceman or your local LP gas supplier.

- Do NOT store or use gasoline or other flammable liquids or vapors within 25 feet (7.62 m) of this appliance.

- Do NOT use in an explosive atmosphere. Keep propane fire pit area clear and free from combustible materials, gasoline and other flammable vapors and liquids.

- This propane fire pit is NOT to be operated by children.

- This propane fire pit is NOT to be used in or on boats or recreational vehicles.

- Do NOT connect to a remote gas supply.

WARNINGS

- Never attempt to attach this propane fire pit to the self-contained LP gas system of a camper trailer, motor home or house.
- Always use in accordance with all applicable local, state and national codes. Contact your local fire department for details on outdoor burning.
- When using this propane fire pit, exercise the same precautions you would with any open fire.
- Do NOT burn solid fuels such as: wood, charcoal, briquettes, lump charcoal, manufactured logs, driftwood, trash, leaves, paper, cardboard, plywood, painted/stained/pressure treated wood in this propane fire pit.
- It is essential to keep the propane fire pit's valve compartment, burners, and circulating air passages clean. Inspect propane fire pit before each use.
- Do NOT use this propane fire pit until it is COMPLETELY assembled, and all parts are securely fastened and tightened.
- Do NOT use this propane fire pit near automobiles, trucks, vans or recreational vehicles.
- Do NOT use this propane fire pit under any overhang or near any unprotected combustible constructions. Avoid using near or under overhanging trees and shrubs.
- Always use this propane fire pit on a hard, level, non-combustible surface such as concrete, rock or stone. An asphalt or blacktop surface may not be acceptable for this purpose.
- Do NOT use this propane fire pit for cooking.
- Do NOT wear flammable or loose clothing when operating this propane fire pit.
- Do NOT use this appliance if any part has been under water. Immediately call a qualified service technician to inspect the appliance and to replace any part or control system and any gas control which has been under water.
- Do NOT use in windy conditions.
- Never lean over this propane fire pit when lighting or when in use.
- Do NOT use this propane fire pit unless burner is securely in place.
- Keep all electrical cords away from this propane fire pit during use.
- Certain areas of this propane fire pit when in use will become too hot to touch. To avoid burns, do NOT touch hot surfaces until the unit has completely cooled, unless you are wearing protective gear.
- Do NOT leave a lit propane fire pit unattended, especially around children and pets.
- Children and adults should be alerted to the hazards of high surface temperatures and should stay away to avoid burns or clothing ignition.
- Young children should be carefully supervised when they are in the area of the appliance.
- Do NOT hang or place clothing or other flammable material on or near this appliance.
- Any guard or other protective device removed for servicing the appliance must be replaced prior to operating the appliance.
- If applicable, protective weather cover must be removed when burner is in operation.
- Do NOT attempt to move propane fire pit when in use. Allow appliance to cool before moving or storing.

WARNINGS

- This propane fire pit should be thoroughly cleaned and inspected on a regular basis. Clean and inspect the hose before each use of the appliance. If there is evidence of abrasion, wear, cuts, or leaks, the hose must be replaced prior to the appliance being operated.
- This propane fire pit should be inspected at least annually by a qualified service person. Depending on amount of use, more frequent cleaning may be required. Do NOT operate until all worn or damaged parts have been repaired or replaced. Burner MUST be replaced prior to using this propane fire pit if component is damaged.
- Use only the regulator and hose assembly provided. Use only replacement parts specified by Lamplight Farms and TIKI® Brand.
- Use only Lamplight Farms and TIKI® Brand-authorized parts. The use of any part that is not factory-authorized can be dangerous and will void your warranty.
- Use only Lamplight Farms and TIKI® Brand-authorized lava rock/basin fill. The use of any basin fill or lava rock that is not factory authorized can be dangerous and will void your warranty.
- Do NOT operate this appliance without reading “Operating Instructions” in this manual.
- Storage of this propane fire pit indoors is permissible only if the tank is disconnected, removed from the appliance and properly stored outdoors.
- Do NOT attempt to disconnect the gas regulator from the tank or any gas fitting while the appliance is in use.
- If the propane fire pit is not in use, the gas must be turned off at the supply tank.
- **CAUTION:** The gas pressure regulator provided with this appliance must be used. This regulator is set for an outlet pressure of 11” W.C.
- Do NOT sit or stand on any part of this appliance.
- Do NOT throw anything into the fire when the unit is in operation.
- Lava rock/basin fill are very hot. Keep children or pets at a safe distance from this appliance. Lava rocks/basin fill will retain heat long after propane fire pit has been extinguished. Do NOT handle fill until completely cooled.
- When heated, lava rock/basin fill may pop.
- The opening of the tank collar should face toward the access door for easy access.
- Do NOT store any combustible materials in the base enclosure.
- Use protective gloves when assembling this product.
- Do NOT force parts together as this can result in personal injury or damage to the product.
- Death, serious injury or damage to property may occur if the above instructions are not followed.
- Surface may become hot when in the sun.

PARTS LIST

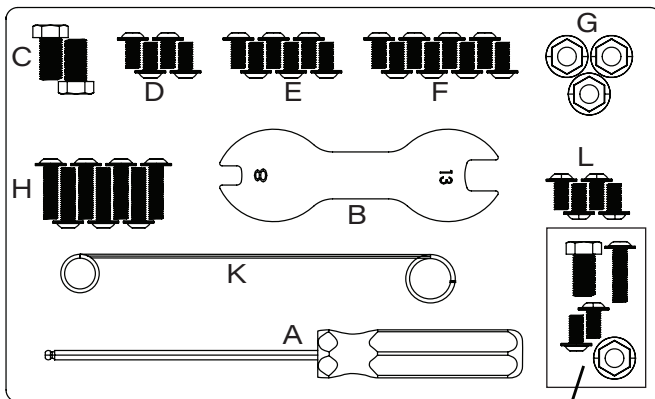
Compare all parts with the Package Contents and Hardware Included lists. If any part appears missing or damaged, DO NOT assemble or use this product. DO NOT RETURN TO PLACE OF PURCHASE. For assistance, contact Customer Service at 1-888-473-1088.

Please have your owner's manual and model number available for reference.

Note: The model number, serial number and date code are printed on the rating label which can be found on the inside of the tank panel, part 6005677.

Note: Items not shown to actual scale or size

⚠ WARNING: CHOKING HAZARD – Small parts.
Not for children under 3 years.

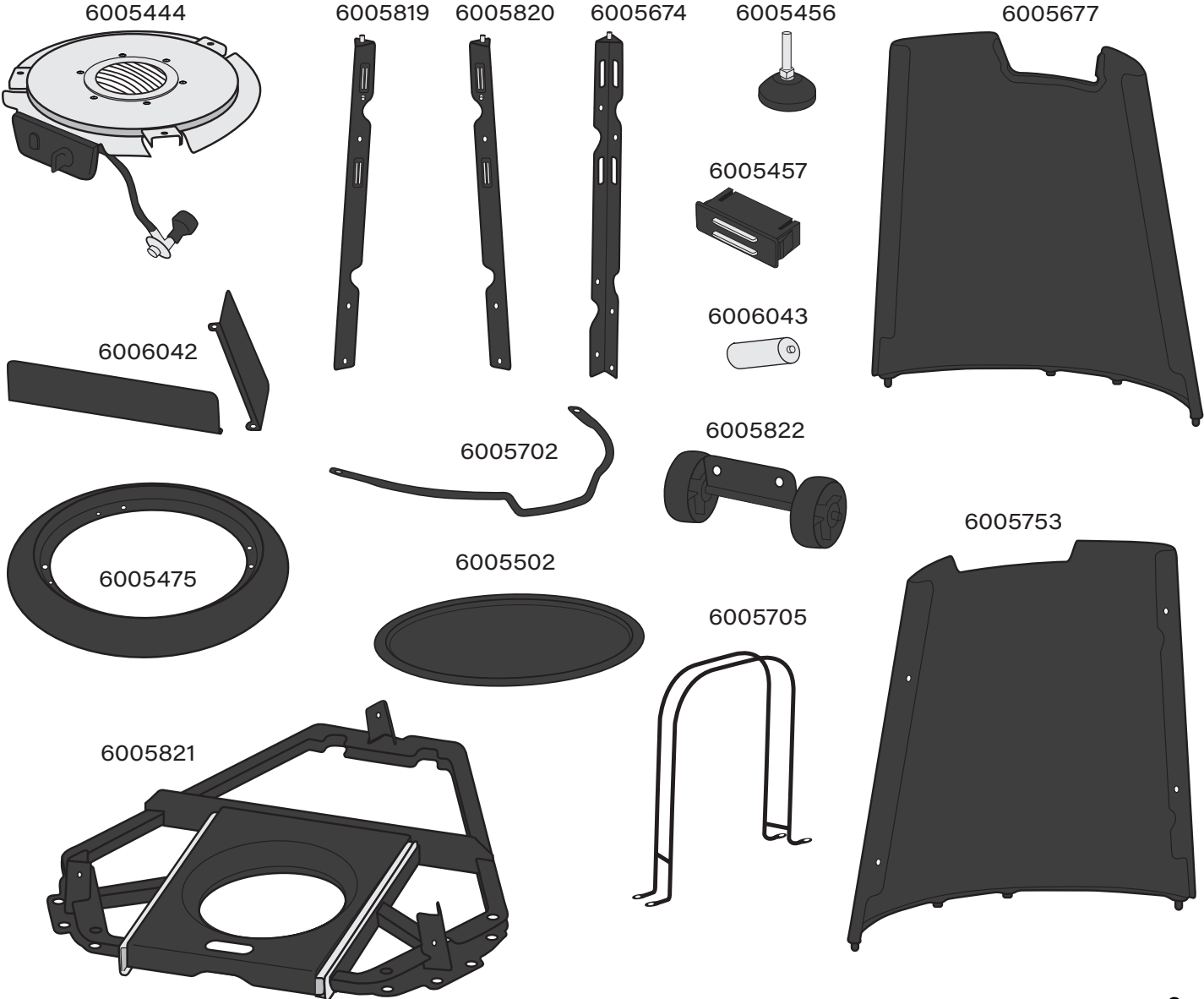


Extra
Hardware

Part	Description	Quantity
6005444	Combustion Assembly	1
6006042	Internal Baffles	2
6005819	Base Left Support	1
6005820	Base Right Support	1
6005674	Base Rear Support	1
6005456	Leveling Foot	2
6005677	Tank Panel	1
6005753	Panel	2
6005475	Top Ring	1
6005822	Wheel Kit	1
6005821	Base Weldment	1
6005702	Tilt Handle	1
6005502	Basin Cover	1
6005705	Basin Cover Support	1
6006043	AA Battery	1
6005457	Magnet	1
6005823	Lava Stones 12lb (5.5kg)	1
7004115	Hardware Pack	1
A	4mm Hex Driver Tool	1
B	13mm Open End Wrench	1
C	M8 Hex Screw (wheel kit)	2
D	M6 Internal Hex Screw (basin cover support)	4
E	M6 Internal Hex Screw (base supports)	6
F	M6 Internal Hex Screw (vented panels)	8
G	M8 Flange Hex Nut (propane train)	3
H	M6 Internal Stainless Hex Screw - 20mm long (top ring)	7
K	Manual Lighting Wand	1
L	M6 Internal Stainless Hex Screw (combustion assembly brackets)	4

PARTS LIST

Note: Items not shown to actual scale or size



ASSEMBLY INSTRUCTIONS

⚠ WARNING

FAILURE TO POSITION THE PARTS IN ACCORDANCE WITH THESE DIAGRAMS OR FAILURE TO USE ONLY PARTS SPECIFICALLY APPROVED WITH THIS APPLIANCE MAY RESULT IN PROPERTY DAMAGE OR PERSONAL INJURY.

Assembly Tips:

- Choose an area where you will assemble the product. To protect components, choose a smooth surface that is free of cracks or openings.
- Spread out all parts.
- Loosely tighten all hardware connections first. Fully tighten hardware in the steps instructed as adjustment may be necessary prior to fully tightening. Be careful not to over-tighten. Over-tightening hardware could damage or strip threads.
- For best results, complete each step in the order as shown in this manual.

To complete assembly, you will need:

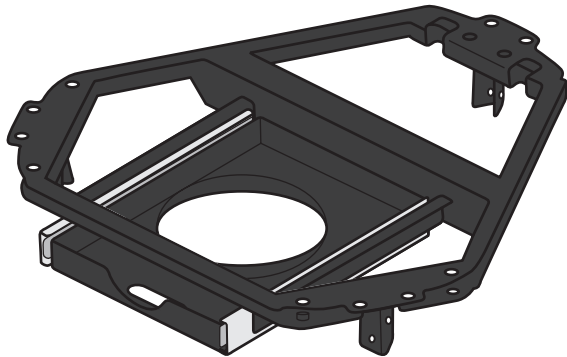
- (1) - Leak detection solution (Instructions on how to make the solution are included in the "Operating Instructions" section of this manual.
- (1) - Precision-filled LP gas grill tank with Acme Type 1 external threaded valve connection (Not included)

⚠ CAUTION

To avoid scratches or other damage to the unit, choose a smooth surface for assembling the unit.

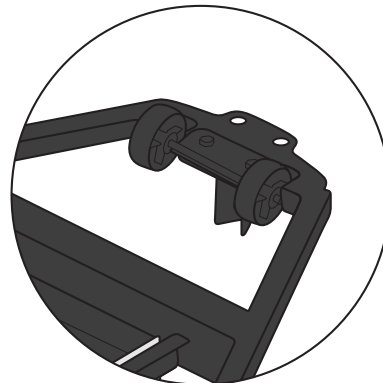
STEP 1

Turn base of the unit over – tank shuttle opening and vertical supports pointing downward.



STEP 2

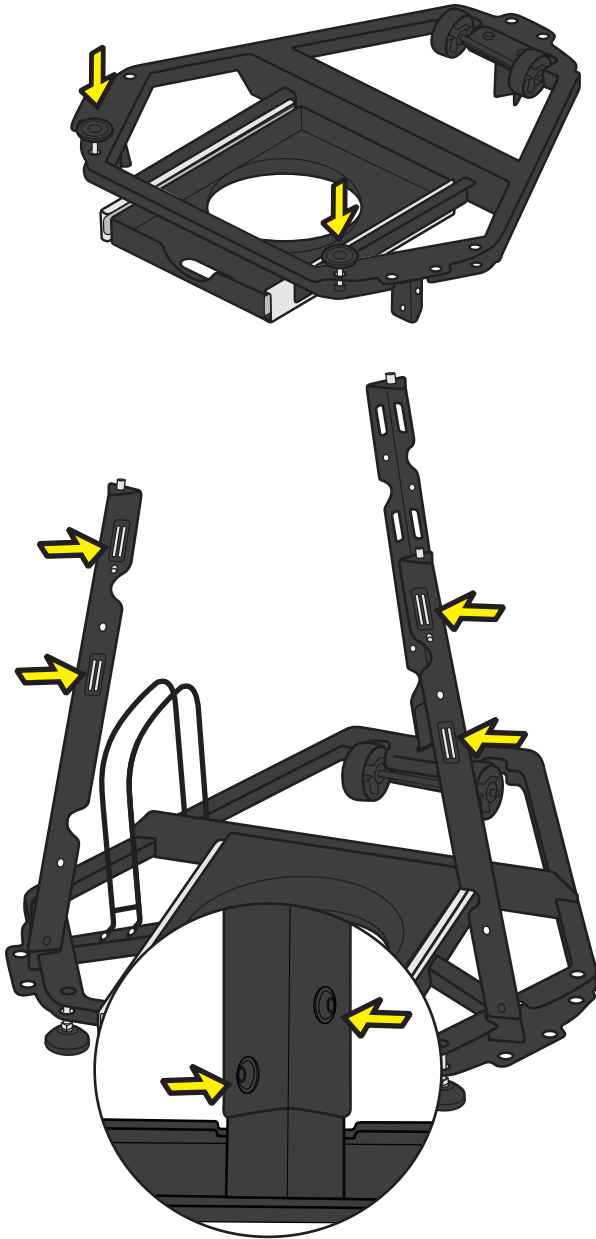
Attach Wheel Kit with (2) hex screws (Item C). Fully tighten with provided wrench (Item B).



STEP 3

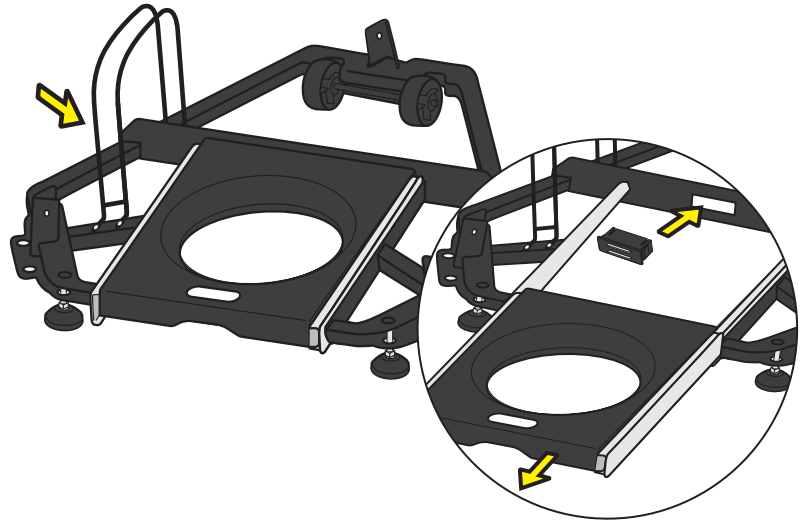
Engage Adjustable Legs with threaded nuts as shown.

Note: Legs should be installed in the holes closest to the tank drawer handle.



STEP 4

Turn base of the unit upright with wheels and adjustable feet on the ground. Attach basin cover support using 4 screws (Item D). Fully tighten using provided hex driver (Item A). Pull out the tank shuttle. Assemble magnet provided in the opening in the crossbar behind the tank shuttle. Make sure the bars of the magnet are facing the tank drawer.



STEP 5

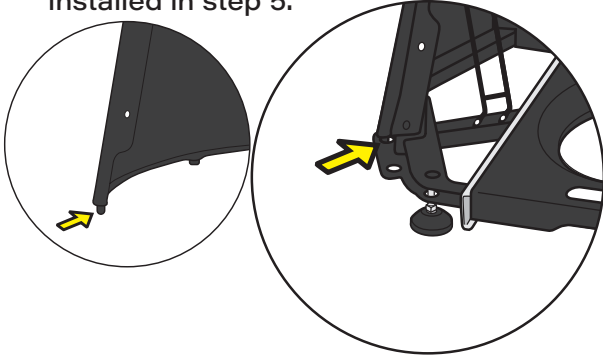
Assemble vertical support legs on the outside of the brackets on the base. Attach each leg with (2) screws (Item E). Fully tighten using provided hex driver (Item A).

Note: (2) of the vertical supports have magnets pre-installed. Orient these supports with the magnets facing the front of the unit. The front of the unit is the side containing the tank drawer handle and the adjustable legs.

ASSEMBLY INSTRUCTIONS

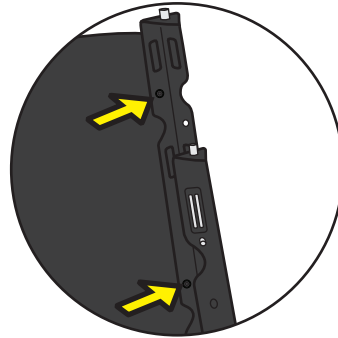
STEP 6

Using alignment pins on the lower side of each panel, guide the panels into place on the base unit – making sure they are towards the rear of the unit and away from the magnets installed in step 5.



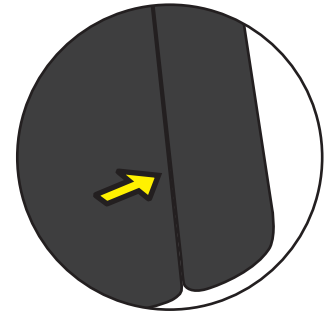
STEP 7

Affix panel to unit with (4) screws (Item F) as shown. Hand tighten and DO NOT fully tighten screws.



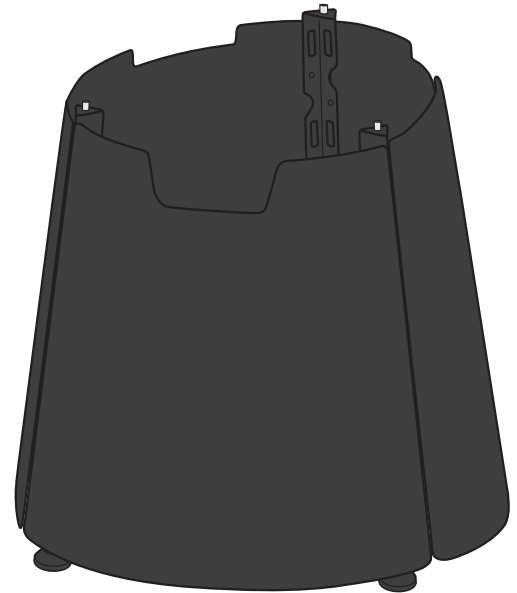
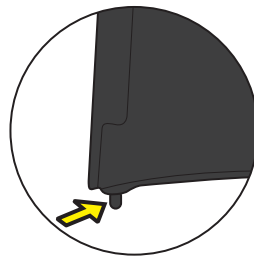
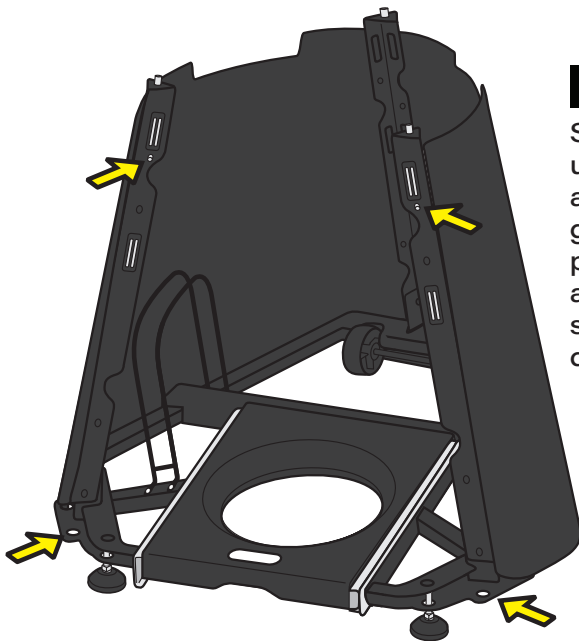
STEP 8

Repeat steps 6 & 7 with second panel. With both panels loosely in place, check for good alignment between the panels.



STEP 9

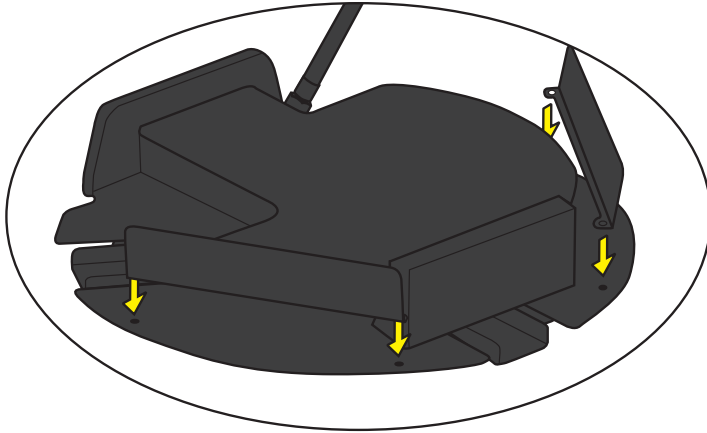
Set Tank Access panel in place using the upper and lower alignment pins and check for good alignment between the panels. Ensure panels are aligned before fully tightening screws using provided hex driver (A).



ASSEMBLY INSTRUCTIONS

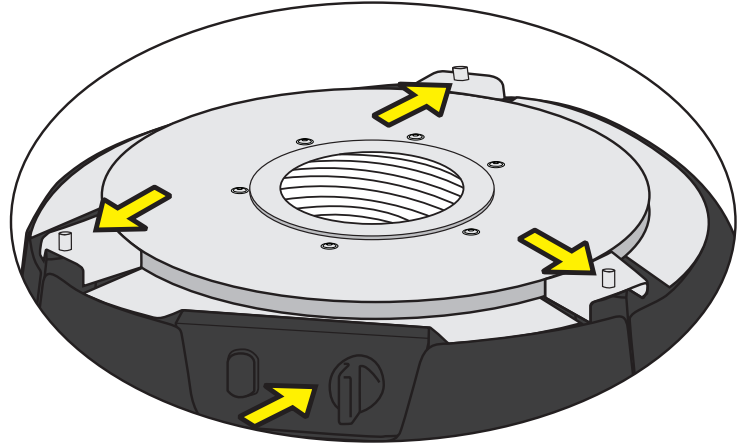
STEP 10

Flip over the combustion assembly and attach the 2 internal baffles where indicated. Fully tighten using screws (Item L).



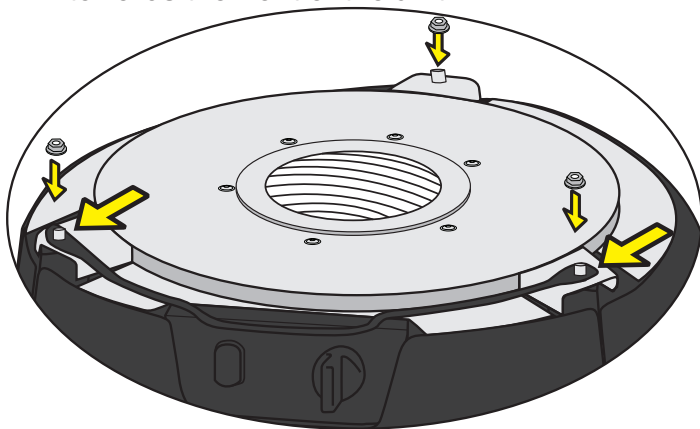
STEP 11

Flipping the combustion assembly back over, set it on top of the three vertical supports, aligning the studs on each leg with the holes in the combustion assembly. Note: Orient control panel towards the front of the unit.



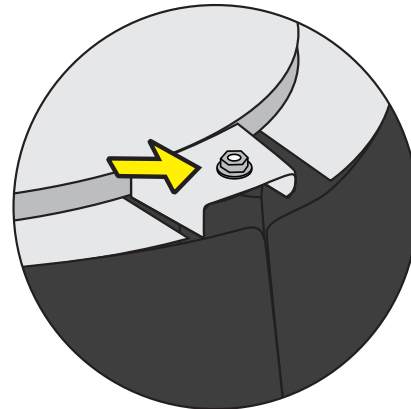
STEP 12

Assemble Tilt Handle onto studs as shown. Note: Orient handle over control panel & towards the front of the unit.



STEP 13

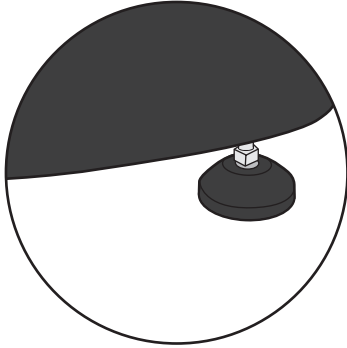
Thread (1) hex nut (Item G) onto each stud. Hand tighten. Note: Do not fully tighten screws. Check for good alignment between panels and combustion top assembly. Adjust, as necessary. Fully tighten the hex nuts (Item G) using provided hex wrench (Item B).



ASSEMBLY INSTRUCTIONS

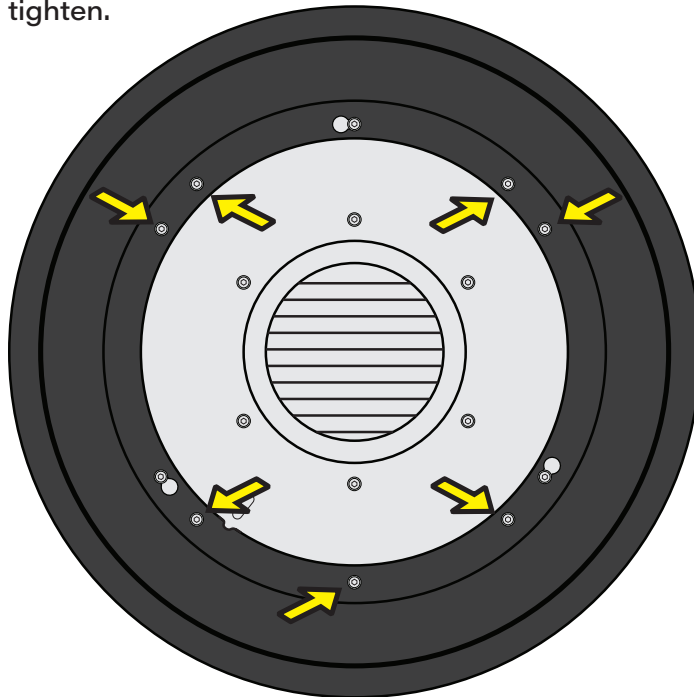
STEP 14

Using a bubble level or other indicator, adjust the height of the (2) forward legs of the base unit until the unit is level.



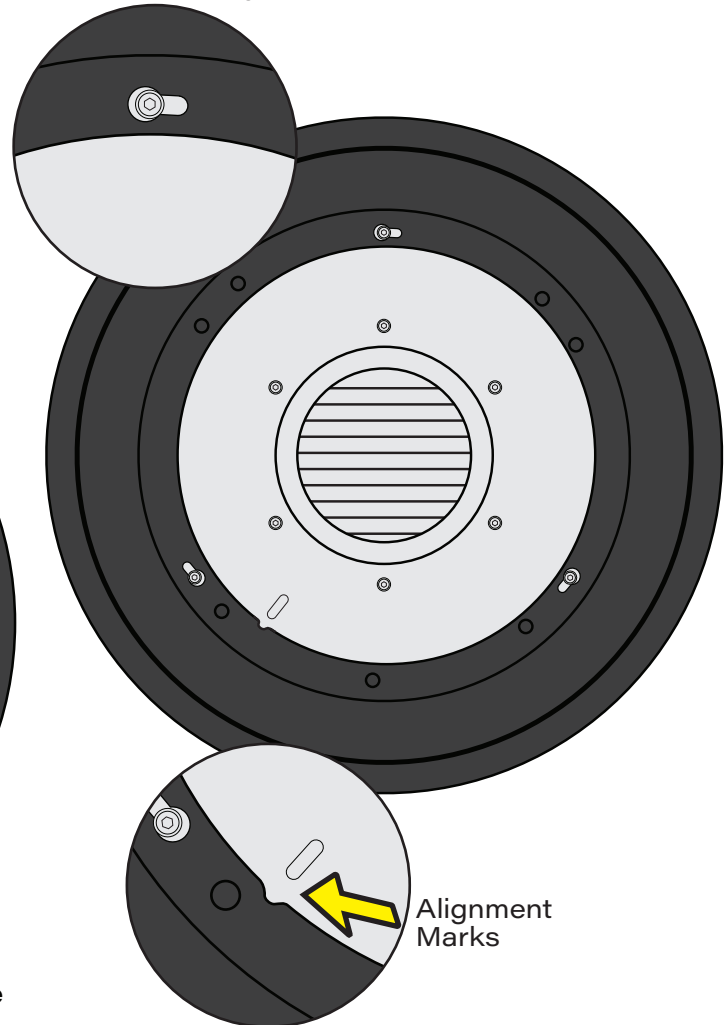
STEP 16

Install (7) additional screws (Item H) into the top ring using provided hex driver (Item A). Fully tighten.



STEP 15

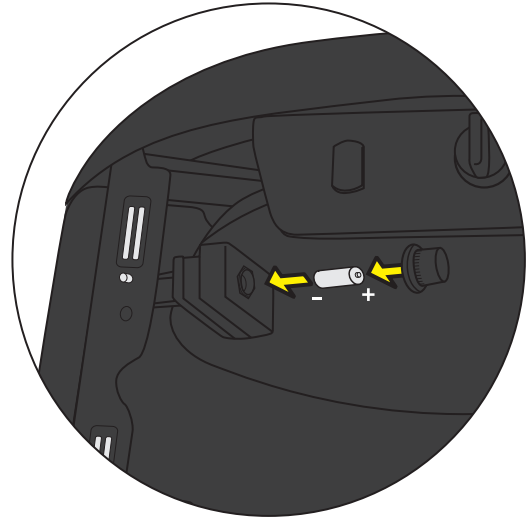
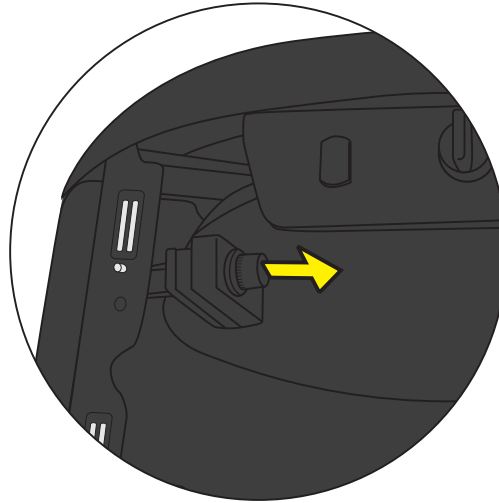
Assemble top ring onto unit, aligning the pre-assembled screws with the keyhole slots in the top ring. Turn the top ring into place - making sure all other openings in the top ring assembly align with holes in the basin floor and that the alignment marks match. **STOP.** If installing a Tabletop, skip Step 16 and proceed to Step 17. Once finished with the Propane Base instructions, refer to the Tabletop User Guide for further assembly instructions.



ASSEMBLY INSTRUCTIONS

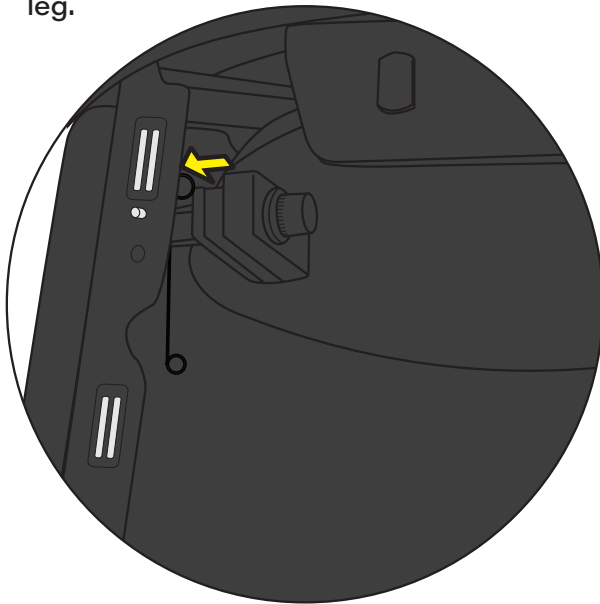
STEP 17

Install Battery for Igniter: Loosen and remove battery bay cap. Note: Remove plastic wrapper before installing battery. Install AA battery (included) into battery bay – positive pole is outward, towards cap. Reinstall battery cap.



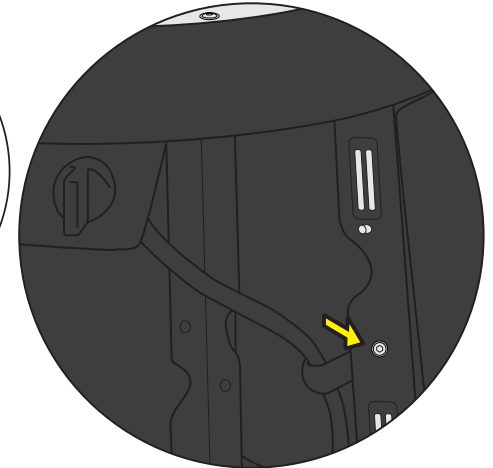
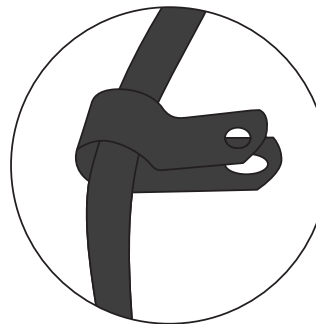
STEP 18

Install Manual lighting hook(K): Install lighting tool onto back side of magnet in vertical support leg.



STEP 19

Install Hose into Routing P-Clip: The supply hose has to be routed through the P-Clip to ensure proper positioning. Unscrew and remove the P-Clip from the support member. Insert hose into P-Clip and re-attach P-Clip to unit, ensuring P-Clip flange is assembled to the back side of the support member as shown.



INSTALLING LP TANK

⚠️ WARNING

Before installing tank, make sure LP gas tank valve is closed.

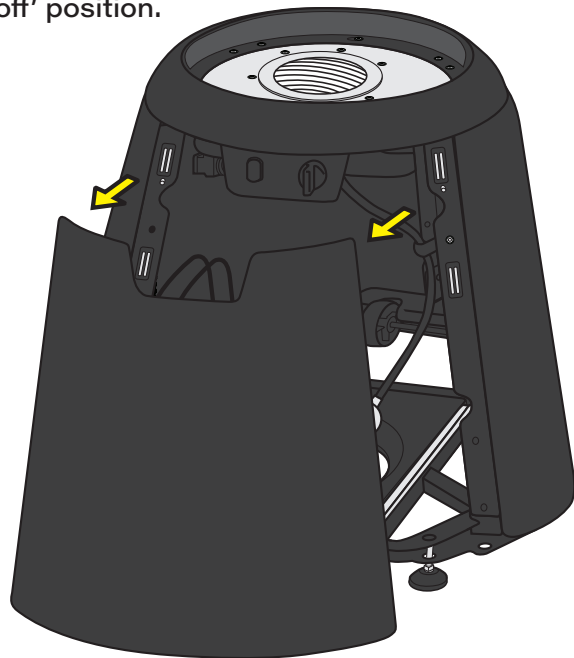
⚠️ CAUTION

Gas tank must be properly disconnected and removed prior to moving this propane fire pit.

To operate, you will need one precision-filled standard grill LP gas tank with external valve threads.

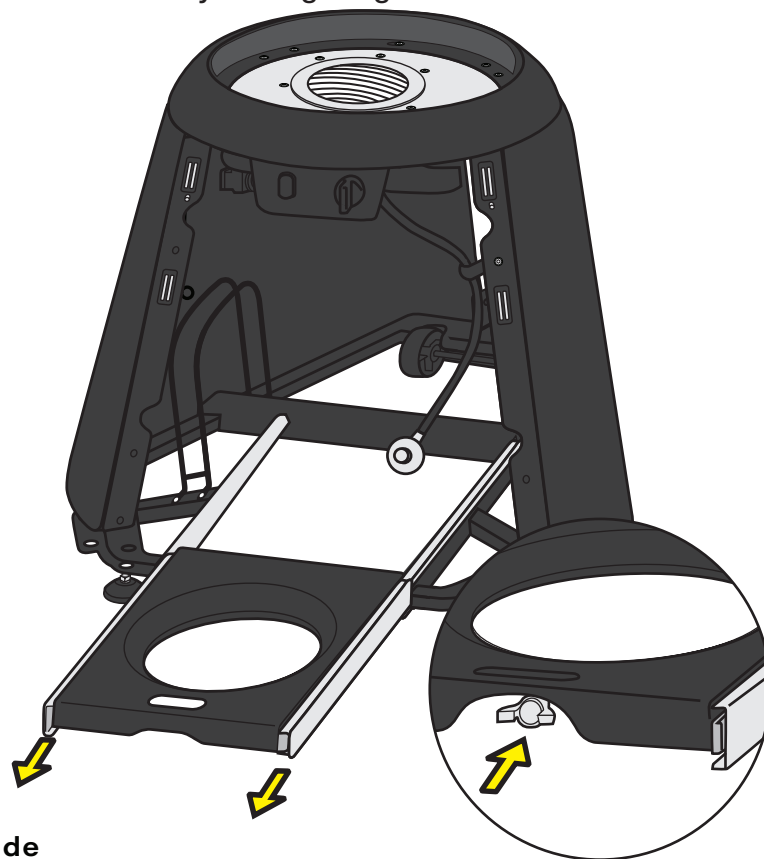
STEP 1

Remove tank access panel. Using handle near the control panel, grasp door panel and pull outward. Magnets will release panel and it will tilt outward. Lift alignment pins on the bottom of the door free from the base of the unit. Set panel aside. Make sure control knob is in the 'off' position.



STEP 2

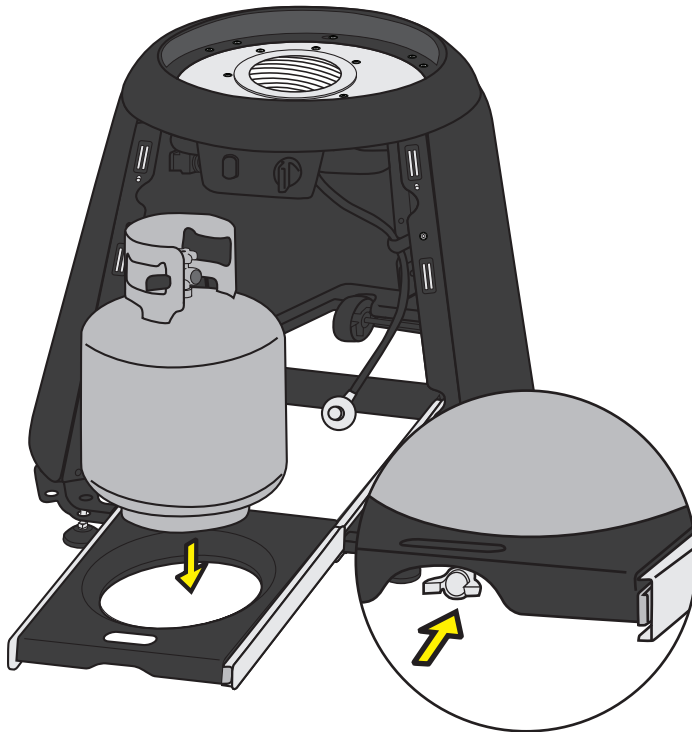
Pull out tank shuttle. Loosen LP gas tank retainer by turning wing nut counterclockwise.



INSTALLING LP TANK

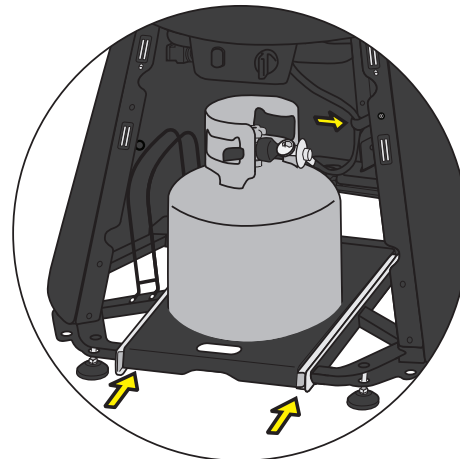
STEP 3

Place LP gas tank upright into opening in tank shuttle. Orient tank so tank valve is facing towards the front of the unit and towards the gas line connection. Secure tank by turning LP gas tank retainer clockwise until tight.



STEP 5

Push in the tank shuttle and make sure the gas line routing is located away from the underside of the burn chamber.

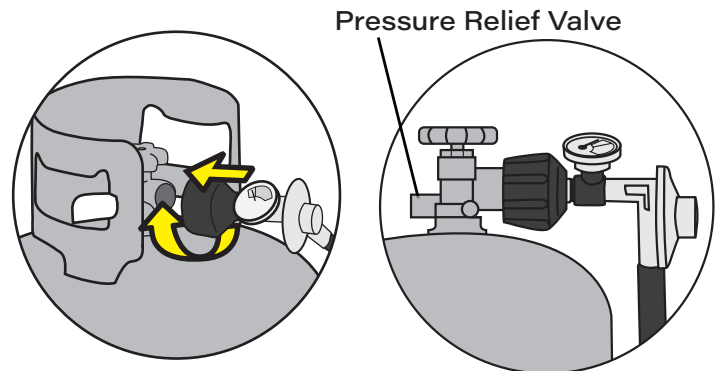


STEP 4

Connecting LP Gas Tank:

Make sure control knob is in the 'OFF' position. Before connection, be sure there is no debris in or on the head of the LP gas tank, in the head of the supply line connection & regulator, or in the head of the burner or burner ports. Connect regulator/supply line assembly to tank by turning knob clockwise until it stops.

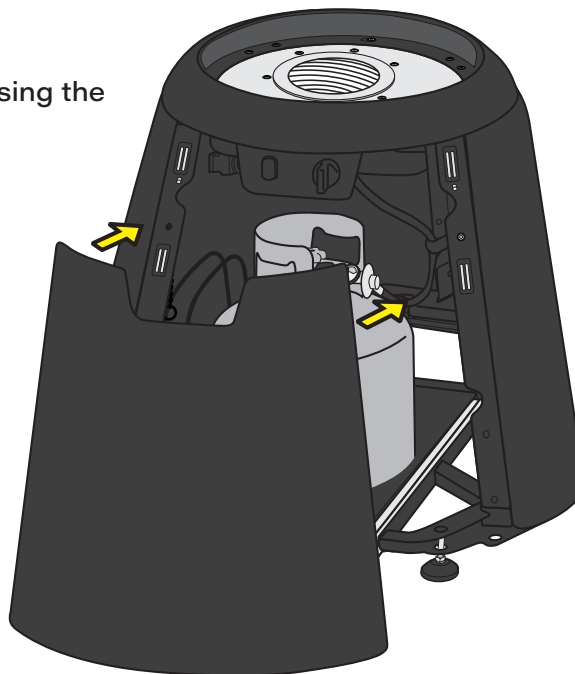
Make sure the outlet of the propane cylinder pressure relief valve is not directed towards the operator when in use. Also, make sure that the fuel gauge is oriented upwards so that it is readable after installation for use.



INSTALLING LP TANK

STEP 6

Reinstall tank access panel reversing the procedure in Step 1.



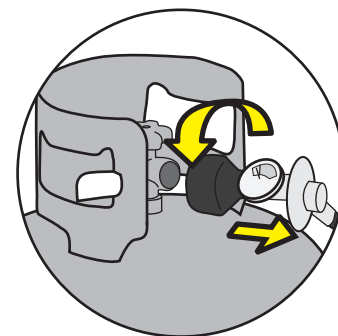
⚠ CAUTION

LP gas tank must be properly disconnected and removed from the appliance prior to moving the unit. You may move the unit by tilting it back on the wheels side of the unit and then rolling it into the desired position. After moving, you may reinstall the LP gas tank and properly reconnect as shown in Steps 1-6.

STEP 7

Disconnecting LP Gas Tank:

Make sure control knob is in the 'OFF' position. Before disconnecting, make sure the LP gas tank valve is 'CLOSED!' Disconnect regulator/supply line hose assembly from LP gas tank by turning knob counterclockwise until it is free. Place the protective cap cover on the LP tank and store the tank outdoors in a well-ventilated area out of direct sunlight.



CHECKING FOR LEAKS

⚠️ WARNING

Before using this propane fire pit, make sure you have read, understand and are following all information provided in the Warnings section of this manual. Failure to follow those instructions can cause death, serious injury or property damage.

⚠️ WARNING

The burner must be replaced prior to operating the unit if it is evident the burner is damaged. The replacement burner shall be specified by the manufacturer.

STEP 1

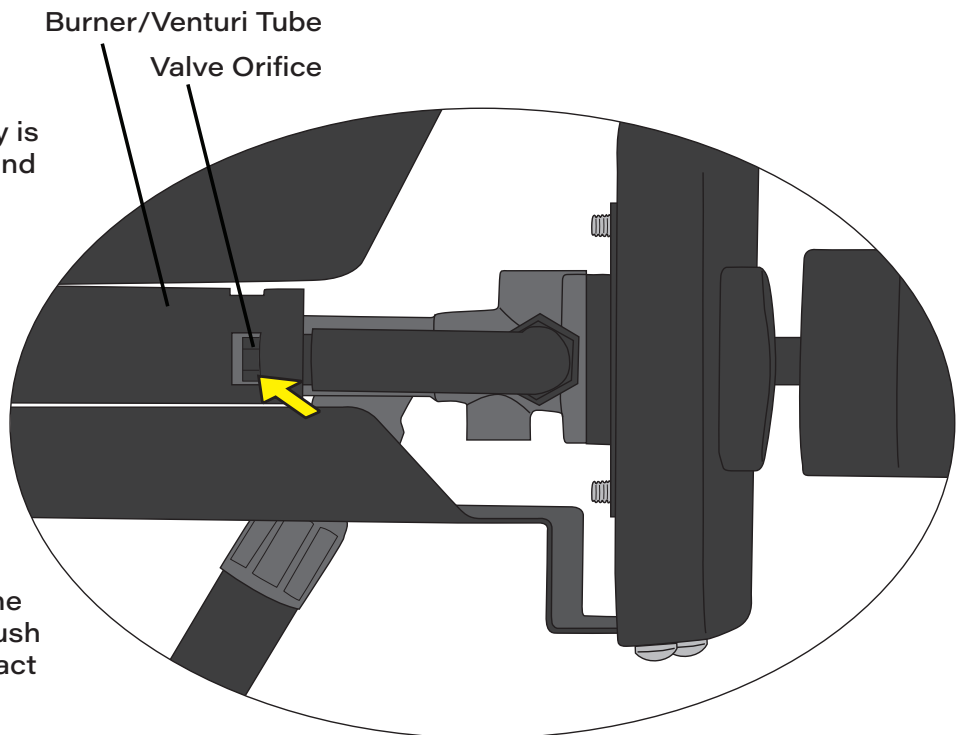
Make sure LP supply hose assembly is securely fastened to the gas valve and the tank.

STEP 2

Visually check the connection between the burner/venturi tube and orifice.

STEP 3

Make sure the burner/venturi tube fits over the orifice. Please refer to diagrams for proper installation. If the burner/venturi tube does not rest flush to the orifice as shown, please contact 1-888-473-1088 for assistance.



⚠️ WARNING

Failure to inspect these connections or follow these instructions could cause a fire or an explosion which can cause death, serious bodily injury or damage to property.

CHECKING FOR LEAKS

STEP 4

Tank/Gas Line Connection: Make 2 – 3 oz. leak detection solution by mixing one part liquid dishwashing soap with three parts water.

STEP 6

Connect LP gas tank per 'Installing LP Gas Tank' section. (See pages 16-18)

STEP 7

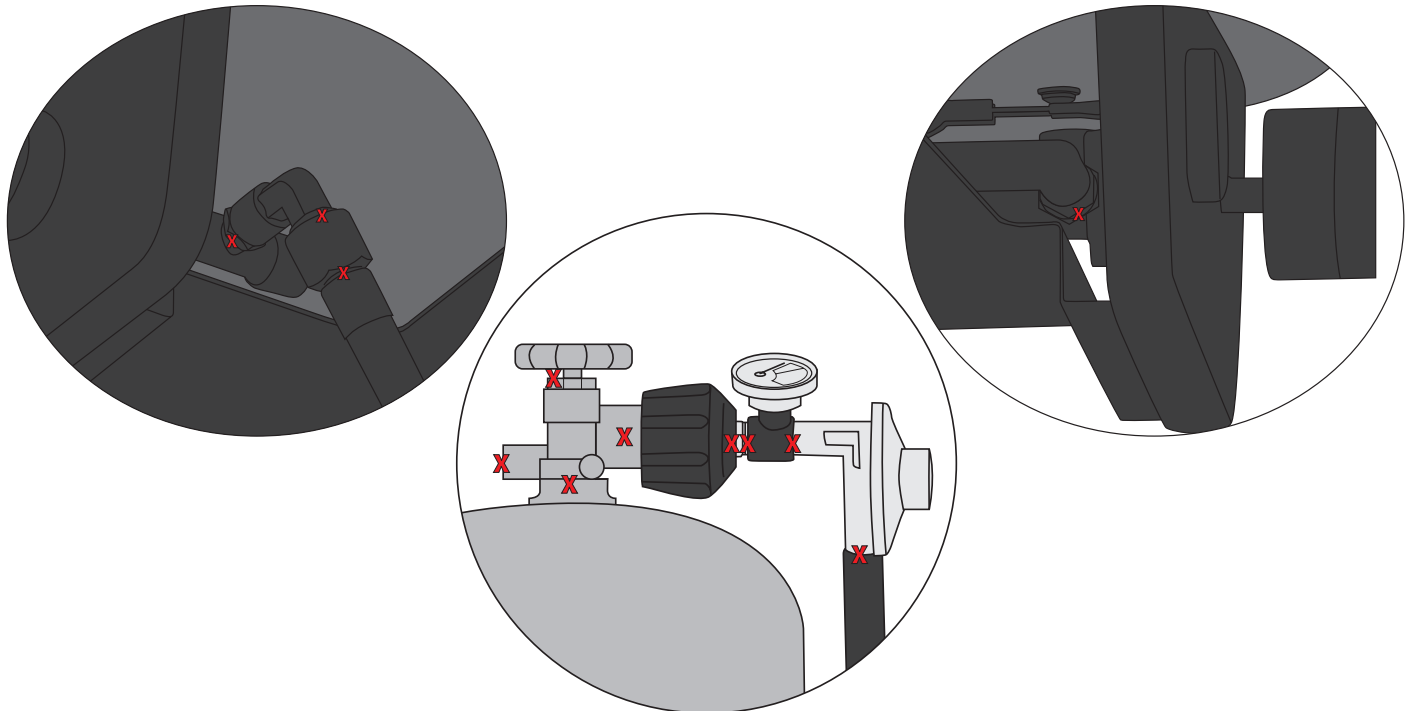
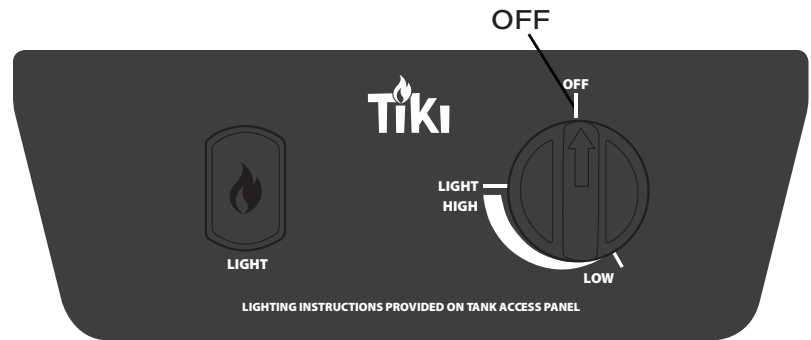
Turn LP gas tank valve to "OPEN."

STEP 8

Spoon or spray several drops of solution, at all "X" locations (see diagram) If any bubbles appear, turn LP gas tank valve to 'CLOSED,' reconnect supply hose and re-test. If bubbles continue to appear after several attempts, turn LP gas tank valve to 'CLOSED' and disconnect LP gas tank, per 'Disconnecting LP Gas Tank' (see page 18) Contact 1-888-473-1088 for assistance. If no bubbles appear after one minute, turn LP gas tank valve to 'CLOSED,' wipe away solution and continue.

STEP 5

Make sure control knob is in the 'OFF' position.



BURNER LIGHTING

⚠️ DANGER

Failure to follow all instructions may result in serious bodily injury or death, or in a fire or explosion causing damage to property.

⚠️ CAUTION

Keep outdoor gas appliance area free and clear from combustible materials, gasoline and other flammable vapors and liquids.

STEP 1

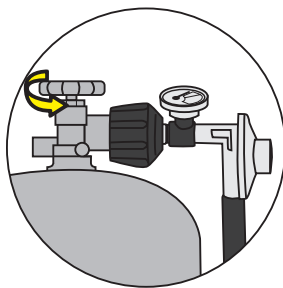
Make sure all packaging and protective films have been removed from the appliance.

STEP 3

The control knob must be in the 'OFF' position. Clear small area of lava rock away from the ignitor area of the burner.

STEP 5

Connect LP gas tank per 'Installing LP Gas Tank' section. (see pages 16-18) Then turn LP gas tank valve to 'OPEN!'



STEP 6

Press the 'LIGHT' button to supply a spark to the burner. You will hear a clicking sound as the spark is produced. At the same time, push in and turn control knob counterclockwise to the 'LIGHT' position, holding the knob in to allow gas flow.



⚠️ WARNING

NEVER light the burner with either the metal basin cover or the soft weather cover installed on the propane fire pit.

⚠️ CAUTION

Do NOT obstruct the flow of combustion and ventilation air.

⚠️ CAUTION

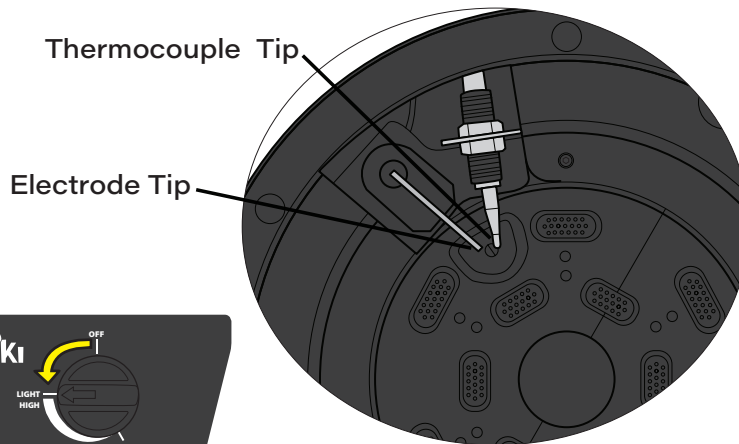
Check and clean burner/venturi tubes for insects and insect nests. A clogged tube can lead to a fire.

STEP 2

Check for obstructions of airflow to the burners. Spiders, insects, and webs can clog the burner/venturi tube. A clogged burner tube can lead to a fire.

STEP 4

STOP! Before lighting, verify spark location. Spark must be arcing between the Electrode Tip and Thermocouple Tip. If spark is not arcing between the Electrode Tip and Thermocouple Tip or is arcing between the Electrode Tip and any other surface, call TIKI Customer Service at 1-888-473-1088.



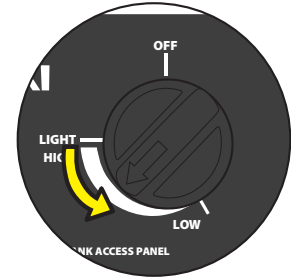
BURNER LIGHTING

STEP 7

After the fire pit lights, continue to hold the control knob in for 10 seconds. This heats the thermocouple, a safety device that stops the gas flow if a fire pit is not lit. Holding in the control knob during ignition warms the thermocouple and allows gas flow to continue.

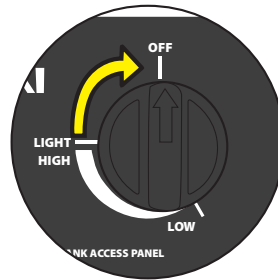
STEP 8

After 10 seconds, release and turn control knob counterclockwise to adjust flame to desired height.



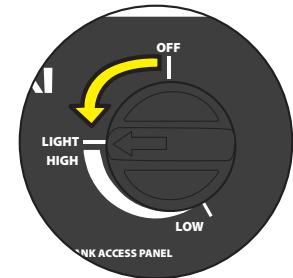
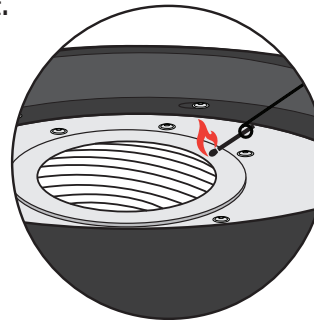
STEP 9

After three attempts, if ignition does not occur, turn the burner control knob to 'OFF.' Wait 5 minutes, fan appliance to disperse gas, and repeat lighting procedure.



STEP 10

If igniter does not light burner: Wearing heat-resistant gloves, use the manual lighting wand (Item K) to position a lit long match or use a lit long butane lighter instead and place it near the burner housing. Push and turn control knob to 'LIGHT': Remove match/lighter once burner is lit.



STEP 11

After lighting, observe the burner flame. Make sure all burner ports are lit and flame height is approximately 12"-18" high on 'HIGH'!

⚠ CAUTION

After lighting – using a fire pit tool and heat-resistant gloves, carefully move the lava rock back to the proper orientation, being careful to avoid the flame.

⚠ CAUTION

If ignition does not occur in 5 seconds, turn control knob to 'OFF,' wait a minimum of 5 minutes, fan appliance, and repeat lighting procedure.

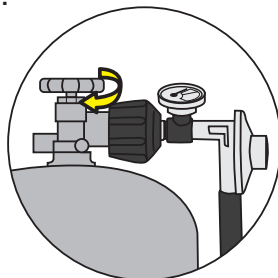
EXTINGUISHING YOUR FIRE

DANGER

Failure to follow all instructions may result in serious bodily injury or death, or in a fire or explosion causing damage to property.

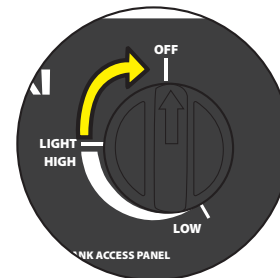
STEP 1

Turn LP gas tank valve to 'CLOSED'!



STEP 2

Turn control knob to the 'OFF' position.
Note: A 'poof' sound is normal as the last of the LP gas is burned.



STEP 3

Disconnect LP gas tank per 'Disconnecting LP Gas Tank' section. (see page 18)

BEFORE & AFTER USE

Before Each Use:

- Keep propane fire pit area clear and free from any combustible materials, gasoline and other flammable vapors and liquids. ▪ Do NOT obstruct the flow of the combustion of LP gas and/or the ventilation air.
- Keep the ventilation openings of the LP gas tank area free and clear from debris. ▪ Visually check the burner flames to make sure your appliance is working properly. ▪ Check all gas connections for leaks.
- Check components for any signs of damage or rust. ▪ Check for obstructions of airflow to the burner. Spiders, insects and webs can clog the burner/venturi tube. A clogged burner/venturi tube can lead to a fire. ▪ If damage to any component is detected, do NOT operate until repairs are completed.

After Each Use:

- Turn LP gas tank valve to 'CLOSED' ▪ Turn control knob to the 'OFF' position. ▪ Note: A 'poof' sound is normal as the last of the LP gas is burned. ▪ Disconnect LP gas tank per 'Disconnecting LP Gas Tank' section. (see page 18)

Before Storing:

- Clean all surfaces ▪ If storing the propane fire pit indoors, cover the appliance and store in a cool dry location away from children and pets. ▪ If storing the appliance outdoors, cover fire pit with a weather cover for protection from the elements. ▪ Store appliance upright in an area sheltered from direct contact with inclement weather such as rain, sleet, hail, snow, dust, debris and high winds. ▪ Place the protective cap on the LP tank outlet and store the tank outdoors in a well-ventilated area out of direct sunlight.

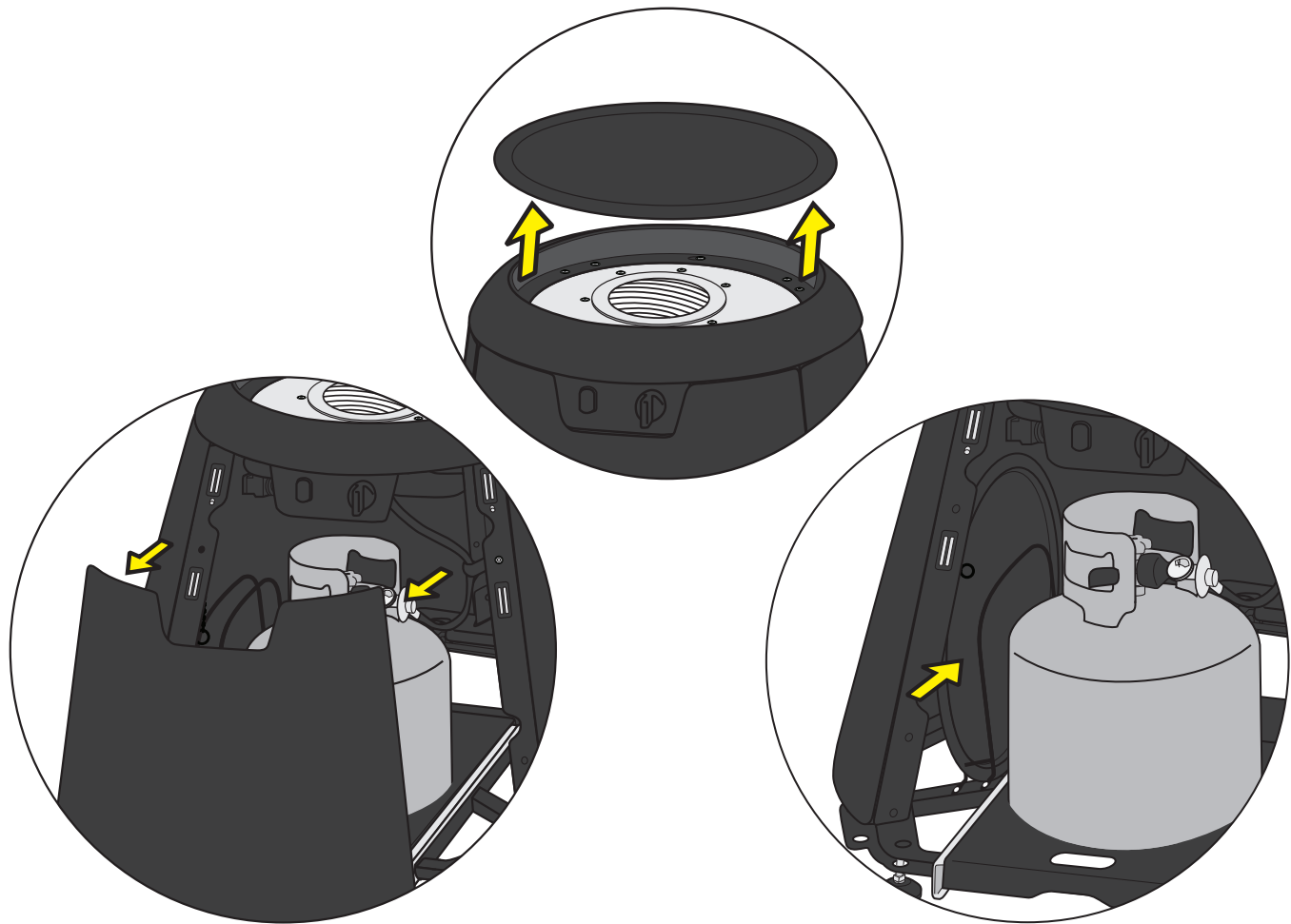
BASIN COVER & LAVA ROCKS

WARNING

NEVER place basin cover on propane fire pit while in use.

NEVER place basin cover on propane fire pit while the appliance is still hot.

When the Propane Fire Pit is not in use, the Basin Cover (6005502) should be placed in the center of the top. When the Fire Pit is in use, the Basin Cover may be stored under the unit. Place cover onto wire rack provided as shown taking care to not strike the propane system.



BASIN COVER & LAVA ROCKS

WARNING

When heated, lava rocks may react by breaking and throwing fragments of rock. Be sure to season the lava rocks at a high temperature before use in order to avoid potential personal injury or damage.

CAUTION

Do NOT dump lava rocks out of package. Carefully place lava rocks by hand so damage to burner or basin does not occur. Use only Lamplight Farms and TIKI® Brand-authorized basin media. The use of any media that is not factory-authorized can be dangerous and will void your warranty.

Note: Lava rocks should be approximately 1" to 2" in diameter. Approximately 12.7 lbs (5.8 kg) lava rock media is necessary to fill the basin.

IMPORTANT BEFORE USE - SEASON LAVA ROCKS

Place the lava rocks into the fire pit basin before turning on appliance.

Follow the lighting instructions to light the burner. (See pages 21-22)

Turn the burner to the highest setting.

Allow the lava rocks to heat at the maximum temperature for 30 minutes before enjoying the fire pit.

Keep all people and any material that could burn at least 15 feet away from the fire pit while the lava rocks are being seasoned.

Repeat the process if your fire pit has been exposed to rain or moisture.

Keep the appliance covered when not in use.

CARE & MAINTENANCE

CAUTION

All cleaning and maintenance should be done when propane fire pit is cool and with the fuel tank safely disconnected.

Do NOT clean any components of this appliance in a self-cleaning oven. The extreme heat will damage the finish.

Do NOT enlarge valve orifices or burner ports when cleaning the valves or burners.

Note:

- This appliance should be thoroughly cleaned and inspected on a regular basis.
- Abrasive cleaners will damage this product.
- NEVER use oven cleaner to clean any part of this appliance.
- More frequent cleaning may be required as necessary. It is imperative that control compartment, burners and circulating air passageways of the heater be kept clean.
- Have the propane fire pit inspected annually. Any repairs should be made by a qualified service person.
- Inspect appliance before each use.
- Spiders and insects can create a dangerous condition that may damage the heater or make it unsafe. Keep burner area clean of all spiders, webs and insects. Clean burner holes by using heavy-duty pipe cleaner. Compressed air may help clear away smaller particles.
- Check propane fire pit immediately if any of the following conditions exist:
 - You smell gas in conjunction with extreme yellow tipping of burner flames.
 - Appliance does not reach proper temperature.
 - Note: At temperatures less than 40F, heat output will be reduced.
 - Appliance's glow is excessively uneven.
 - Burner makes a popping noise during use.
- Note: A 'poof' sound is normal when turning the appliance off as the last of the LP gas is burned.
- Do NOT clean appliance with combustible or corrosive cleaners. Use warm, soapy water.
- Do NOT paint any part of the gas train in the appliance.
- After a period of storage and/or non-use, check for leaks, burner obstructions, and inspect for any abrasion, wear or cuts to the hose.
- Check inside the tank compartment and underside of the valve area occasionally for any obstructions such as spiderwebs, animal nests, etc.

CARE & MAINTENANCE

Cleaning Surfaces:

- Wipe surfaces clean with mild dishwashing detergent or baking soda mixed with water.
- For stubborn stains, use a citrus-based cleaner and a nylon scrubbing brush.
- Rinse clean with water.
- Allow to air dry.
- Note: While cleaning your unit, be sure to keep the area around the burner dry at all times.

CAUTION

Do NOT submerge the control valve assembly. If the gas control is submerged in water, do NOT use it. The valve must be replaced.

WARNING

All cleaning should be done when the appliance is cool and with the fuel tank disconnected per instructions found in “Disconnecting LP Gas Tank.” (see page 18)

Cleaning Burner:

- Remove lava rock
- Remove all dirt/dust from the burner, igniter, and venturi area with a small brush or compressed air.
- Visually inspect the burner for any rust or damage. If damage is found, replace necessary components with new pieces from the manufacturer.
- Clean any clogged burner ports with a stiff wire.
- Carefully replace the lava rock.

Maintenance:

- To enjoy years of performance from your propane fire pit, make sure to perform the following maintenance activities on a regular basis:
- Keep exterior surfaces clean
- Perform routine maintenance
- Air flow must be unobstructed. Keep controls, burner, and circulating air passageways clean. Signs of potential blockage include:
 - Gas odor with extreme yellow tipping of burner flames
 - Outdoor appliance does not reach normal operating temperature.
- Note: In a salt-air environment, corrosion occurs more quickly than in environments with less salty air. Frequently check for corroded areas and repair them before operating appliance.

TROUBLESHOOTING

PROBLEM: BURNER WILL NOT LIGHT USING IGNITER OR MATCH

POSSIBLE CAUSE	SOLUTION
Gas valve may be off / closed	Make sure supply line is securely attached to the LP tank per 'installing LP tank' section in this manual, then turn LP tank valve to 'open'
Fuel tank low or empty	Exchange, refill or replace LP tank
LP gas leak	Turn LP gas tank valve to 'closed,' wait at least 5 minutes for gas to clear, follow 'checking for leaks' section in this manual (pages 19-20)
Igniter battery is drained	Replace "AA" battery
Electrode & burners are wet	Wipe dry with cloth
Wire loose or disconnected	Check connections for igniter system
Igniter fails	Light the burner manually with a match per instructions in 'burner lighting' section of this manual. (pages 21-22). Replacement parts may be needed – Call 1-888-473-1088 for details
Orifice or air inlets blocked	Clean orifice and air inlets to ensure proper gas flow
Burner ports blocked	Clean burner ports

TROUBLESHOOTING

PROBLEM: BURNER WILL NOT LIGHT USING IGNITER OR MATCH cont.

POSSIBLE CAUSE	SOLUTION
Air in supply system	Open gas line and bleed air from the line (press control knob in) for not more than 1 minute or until you smell gas. Turn control knob to 'off,' wait at least 5 minutes for gas to dissipate. Light per 'burner lighting' section (pages 21-22)
POSSIBLE CAUSE	SOLUTION
Loose gas connection	Check all fittings
POSSIBLE CAUSE	SOLUTION
Gas pressure low with valve open full	Replace LP cylinder or regulator
POSSIBLE CAUSE	SOLUTION
Cylinder valve on, no gas flow	Replace hose/regulator assembly
POSSIBLE CAUSE	SOLUTION
Thermocouple not operating correctly	Disconnect LP tank per 'disconnect tank' section, clean area around thermocouple, reconnect LP tank per 'connecting LP tank' section, relight burner per 'lighting burner' section. If propane fire pit is still not working – Call 1-888-473-1088 for details

PROBLEM: IGNITOR SPARKING (CLICKING), BUT NOT IGNITING PIT WITHIN 5 SECONDS

POSSIBLE CAUSE	SOLUTION
Ignitor spark not in correct position	Turn off propane supply and wait 5 minutes for gas to clear. After waiting 5 minutes, verify spark location as specified on page 21.

TROUBLESHOOTING

PROBLEM: SUDDEN DROP IN GAS FLOW OR REDUCED FLAME HEIGHT

POSSIBLE CAUSE	SOLUTION
Pressure is Low	Replace LP Tank
POSSIBLE CAUSE	SOLUTION
Tank is low on fuel	Fill LP Tank
POSSIBLE CAUSE	SOLUTION
Supply line is kinked	Check and straighten or replace hose

PROBLEM: IRREGULAR FLAME PATTERN, FLAME DOES NOT EXIST AT ALL PORTS

POSSIBLE CAUSE	SOLUTION
Burner ports are blocked	Clean burner ports

PROBLEM: FLAME GOES OUT

POSSIBLE CAUSE	SOLUTION
High or gusting winds	Do not use propane fire pit in high winds
POSSIBLE CAUSE	SOLUTION
LP tank is empty	Replace LP tank
POSSIBLE CAUSE	SOLUTION
Thermocouple not operating correctly	Disconnect LP tank per 'disconnect tank' section, clean area around thermocouple, reconnect LP tank per 'connecting LP tank' section, relight burner per 'lighting burner' section. If propane fire pit is still not working – Call 1-888-473-1088 for details

PROBLEM: FLAME SEEMS TO LOSE HEAT WHEN BURNING IN WEATHER BELOW 50°F

POSSIBLE CAUSE	SOLUTION
Ice buildup on LP tank due to slow vaporization	Turn off propane fire pit, turn off fuel tank valve, disconnect LP tank and replace. Reconnect propane fire pit, check appliance for leaks, and light normally

LIMITED WARRANTY

Visit TIKIBrand.com/customer-service/our-guarantee or contact us at 1-888-473-1088 for more information.

For information on patents go to TIKIBrand.com/patents

Specifications:

- Certifications: ANS Z21.97 * CSA 2.41-2017
- Normal Hourly Input Rating: 40,000 BTU/hr. (11.7kW)
- Fuel: Liquid Propane Gas
- Tank Size: Nominal 20 lb.
- Manifold Pressure: 11.0 in W.C.
- Safety Features: 100% Burner shut-off / Thermocouple / Tip Angle Switch
- Manufacturer: Lamplight Farms Incorporated
- Made In: China

Questions, problems, missing part? Call 1-888-473-1088.

TIKIBrand.com

Retain this manual for future use.

TIKI[®] BRAND

TIKIBRAND.COM

4002278 REV7

©2024 Lamplight Farms Incorporated