



Continental CB30 Direct Vent Gas Fireplace

Shown with MIRRO-FLAME™ Porcelain Reflective Radiant Panels.



Visit continentalfireplaces.com and see our Professional Support Center for the latest installation manuals, specification sheets and additional information.

Continental CB30 Direct Vent Gas Fireplace

The Continental CB30 gas fireplace has opportunities and is ideal for builders and homeowners where space is limited. The clean face design of the CB30 maximizes the viewing area so that the realistic flames and the hand painted PHAZER™ log set can be enjoyed to the fullest. The CB30 is equipped with an advanced burner technology and an approved safety barrier.

Competitive Advantages

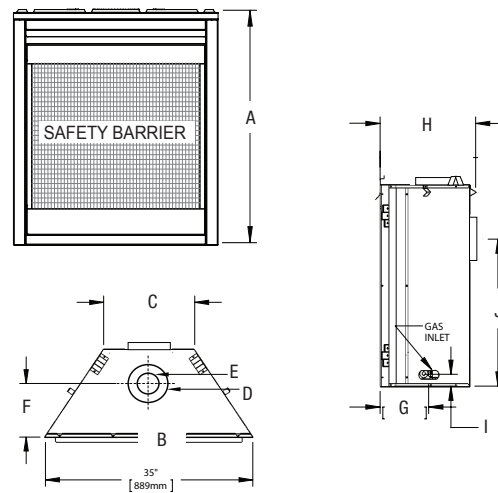
- Natural Gas with Propane Conversion Kit available
- Power venting available for unique venting installs
- Approved for bedrooms, bathrooms, sitting rooms and mobile home installs
- Will accept Rigid and Flex Venting

Features and Benefits

- 608 sq. in. glass area
- Fuel saving electronic ignition with battery backup system (included on electric ignition fireplace)
- Flex connector complete with shut off (included on electric ignition fireplace)
- Exclusive PHAZER™ log set and glowing ember bed Pan Style Burner
- Optional MIRRO-FLAME™ Porcelain Reflective Radiant Panels
- Optional on/off and digital hand held remote controls
- Optional two inch and three inch bevelled trim kits
- Optional Contemporary Decorative Front
- Optional fan kit

	CB30
BTU's (Input)	15,000
Venting	Top & Rear 4" & 7"
Glass Type	Tempered
Glass Size	
Height	23 11/16"
Width	25 11/16"
Efficiencies	
EnerGuide	68.9%
AFUE	72.5%
Steady State	-
Mobile Home Certified	Yes

*Finishing flange depth (The finishing flange defines the perimeter of the fireplace opening). Framing or finishing materials must NEVER encroach inside the finishing flange.



	A	B	C	D	E	F	G	H	I	J
CB30	34 1/8"	30"	12 3/4"	7" DIA.	4" DIA.	8 5/8"	6 11/16"	14"	1 15/16"	24 3/16"

Media and Trim Features options



Contemporary Front



2" Trim Kit



3" Premium Bevelled Trim



Shore Fire Kit



Beach Fire Kit



Mineral Rock Kit



Blower



MIRRO-FLAME™
Porcelain Reflective Radiant Panels



Digital Remote

- 103 Miller Drive, Crittenden, Kentucky, USA 41030
- 24 Napoleon Road, Barrie, Ontario, Canada L4M 0G8
- 7200 Trans Canada Highway, Montreal, Quebec, Canada H4T 1A3

Tel: 1-866-820-8686
continentalfireplaces.com



CON 08-20-00010