

# OASIS

901652FMB-NWA

OASIS 52" FAN

| DETAILS       |             |
|---------------|-------------|
| FAN FINISH:   | Matte Black |
| BLADE COUNT:  | 5           |
| SLOPE DEGREE: | 26          |

| DIMENSIONS |       |
|------------|-------|
| WIDTH:     | 52"   |
| HEIGHT:    | 14.3" |

| LIGHT SOURCE |      |
|--------------|------|
| VOLTAGE:     | 120v |

| MOUNTING   |            |
|------------|------------|
| CANOPY:    | 6.25" Dia. |
| LEAD WIRE: | 1 X 76"    |

| SHIPPING       |    |
|----------------|----|
| CARTON LENGTH: | 20 |
| CARTON WIDTH:  | 14 |
| CARTON HEIGHT: | 11 |



Part of the Regency Series, Oasis offers a simple yet classic all-you-need design. Available in Appliance White, Brushed Nickel, Graphite, Matte Black or Metallic Matte Bronze finish options, Oasis is so versatile; it can be used for both indoor and outdoor spaces. Blades are included with every fan.

## PRODUCT DETAILS:

- Can be hung on a sloped ceiling
- This item includes a 4.5" down rod (other lengths of down rods are available)
- Control your fan's power, light, speed, direction, and so much more from the Hinkley Home Automation app
- Pull chain manual reverse, accessory controls available
- An optional light kit is available
- Part of the Regency Series of traditional ceiling fans designed to enhance a wide variety of spaces with versatile designs and classic finishes
- Motor carries a lifetime warranty
- Blades, controls, switches, capacitors and hardware carry a 1-year warranty

# HINKLEY

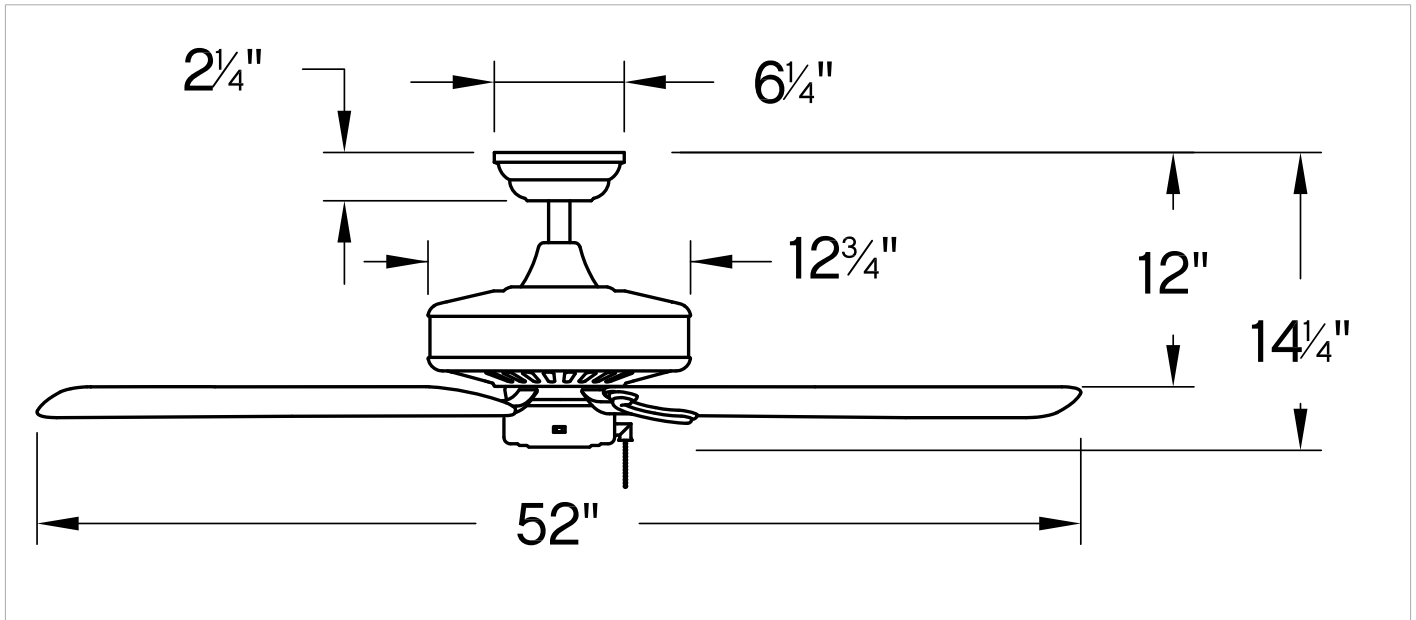
HINKLEY  
33000 Pin Oak Parkway  
Avon Lake, OH 44012

PHONE: (440) 653-5500  
Toll Free: 1 (800) 446-5539

[hinkley.com](http://hinkley.com)

# OASIS 52" FAN

901652FMB-NWA



| PERFORMANCE SPECIFICATIONS | STANDARD   |               |
|----------------------------|------------|---------------|
|                            | HIGH SPEED | AVERAGE SPEED |
| Airflow                    | 5455       | 3867          |
| EnergyUse                  | 58.8       | 36            |
| EnergyCost                 | 16         | 10            |
| Efficiency                 | 93         | 106           |
| AMPS                       | 0.49       | 0.35          |
| RPMS                       | 161        | 111           |