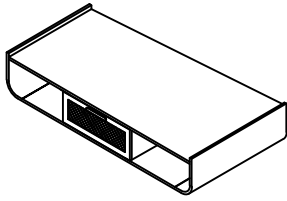


# ASSEMBLY INSTRUCTION

## COCKTAIL TABLE WITH WICKER DRAWER FRONT

**A** Table Body



1pc

**B** Leg



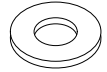
4pcs

**C** Bolt  
Ø1/4"x60mm



8pcs

**D** Flat Washer  
Ø1/4"x19mm



8pcs

**E** Lock Washer  
Ø1/4"x10mm

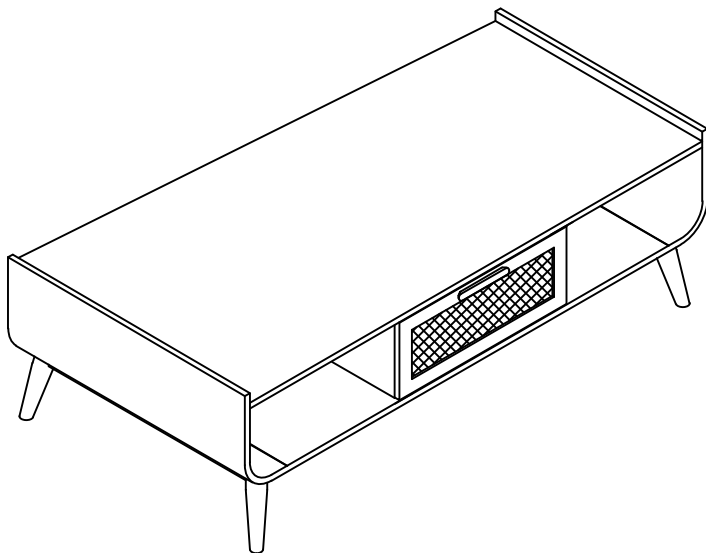


8pcs

**F** Allen Key

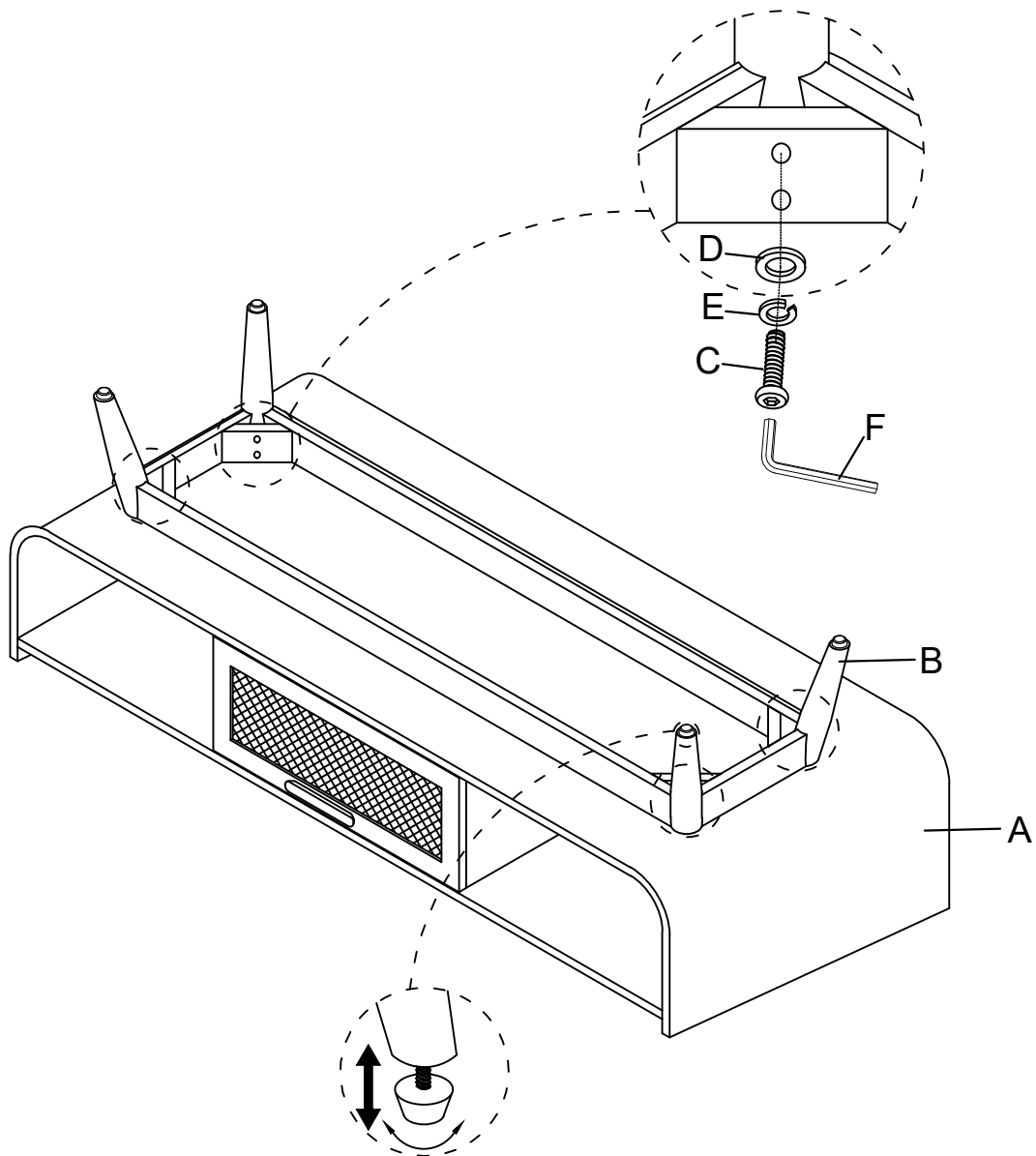


1pc



This page list all the contents included in the box. Please take the time to identify the hardware as well as the individual components to this product. As you unpack and prepare for assembly, place the contents on a carpeted or padded area to protect them from damage.

- 1** Assemble Leg (B) to Table Body (A), using Bolt (C), Lock Washer (E) & Flat Washer (D) by Allen Key (F) as below shown.



Remark: If there is any gap between the legs and ground, please adjust the leveler until it reaches the ground.

## Cleaning & Care

Treat surface with care. Surface is resistant to scratches but is not scratch resistant. Clean surfaces with a dry or damp soft cloth. Do not use abrasive cleaners. Hardware may loosen over time. Periodically check that all connections are tight.