

ASSEMBLY INSTRUCTION

END TABLE

A Top Panel



1 PC

B Bottom Frame



1 PC

C Support Rod



4 PCS

D Bolt
1/4 "x5/8"



8 PCS

E Bolt
1/4 "x1-1/4"



4 PCS

F Flat Washer
1/4 "

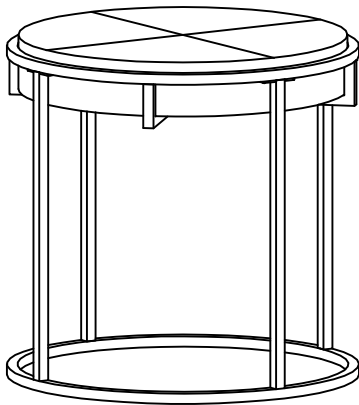


4 PCS

G Allen Key
M4

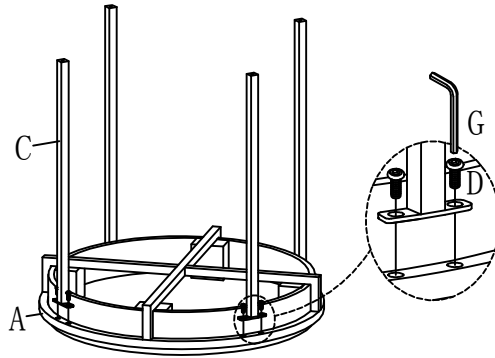


1 PC

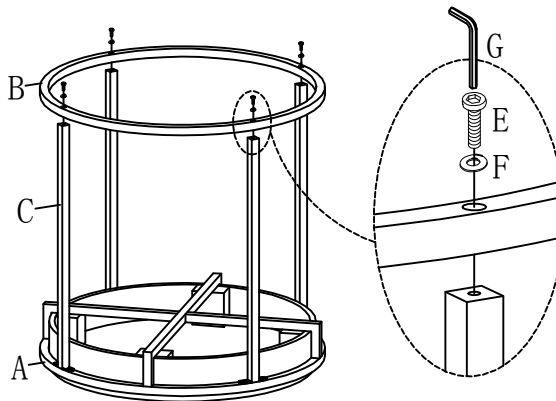


This page lists all the contents included in the box. Please take the time to identify the hardware as well as the individual components to this product. As you unpack and prepare for assembly, place the contents on a carpeted or padded area to protect them from damage.

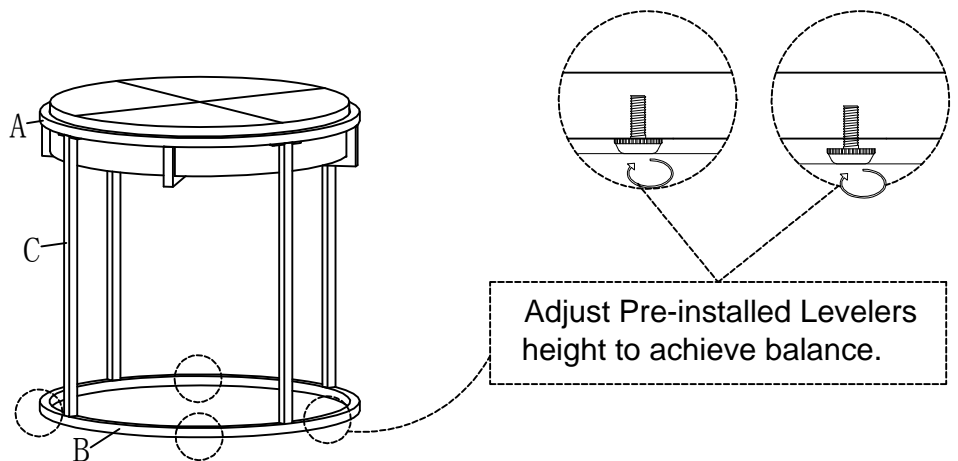
1 Attach Support Rod (C) to Top Panel (A) using Bolt (D) with Allen Key (G).



2 Attach Bottom Frame (B) to Support Rod (C) using Bolt (E), Flat Washer (F) with Allen Key (G).



3 Adjust the Pre-installed Levelers at the Bottom Frame (B) until the End Table is level with the ground.



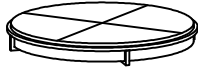
Cleaning & Care

Treat surface with care. Surface is resistant to scratches but is not scratch resistant. Clean surfaces with a dry or damp soft cloth. Do not use abrasive cleaners. Hardware may loosen over time. Periodically check that all connections are tight.

ASSEMBLY INSTRUCTION

COFFEE TABLE

A Top Panel



1 PC

B Bottom Frame



1 PC

C Support Rod



4 PCS

D Bolt
1/4 "x5/8"



8 PCS

E Bolt
1/4 "x1-1/4"



4 PCS

F Flat Washer
1/4 "

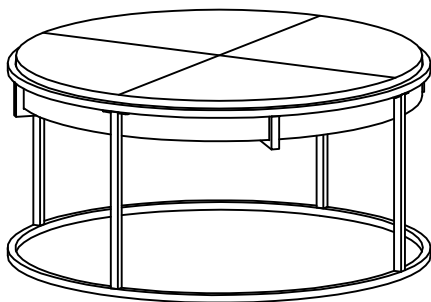


4 PCS

G Allen Key
M4

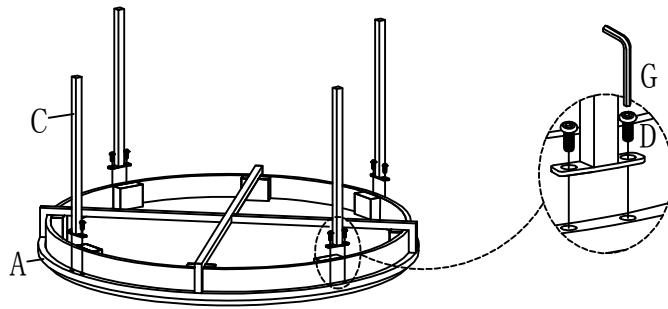


1 PC

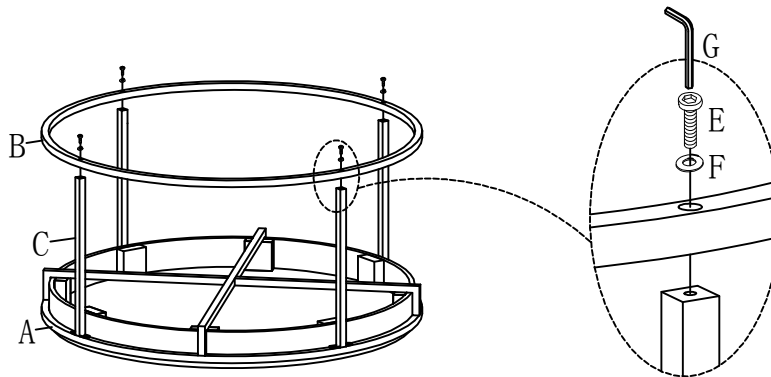


This page lists all the contents included in the box. Please take the time to identify the hardware as well as the individual components to this product. As you unpack and prepare for assembly, place the contents on a carpeted or padded area to protect them from damage.

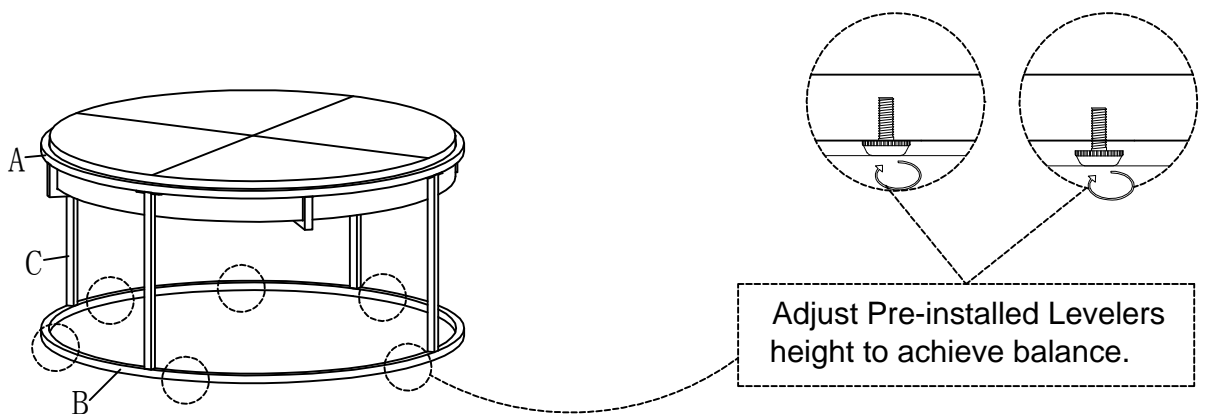
1 Attach Support Rod (C) to Top Panel (A) using Bolt (D) with Allen Key (G).



2 Attach Bottom Frame (B) to Support Rod (C) using Bolt (E), Flat Washer (F) with Allen Key (G).



3 Adjust the Pre-installed Levelers at the Bottom Frame (B) until the End Table is level with the ground.



Cleaning & Care

Treat surface with care. Surface is resistant to scratches but is not scratch resistant. Clean surfaces with a dry or damp soft cloth. Do not use abrasive cleaners. Hardware may loosen over time. Periodically check that all connections are tight.