

Features

- KOHLER finishes resist corrosion and tarnish.
- 42- inch bar.
- Wide 1-1/4- inch handle for a comfortable grip.
- Contemporary styling matches any decor.
- ADA compliant when installed per ADA guidelines.
- 44-13/16" (1138 mm) x 2-3/4" (70 mm) x 2-13/16" (71 mm)

Material

- Premium metal construction.

Components

Additional included component/s: Installation hardware.



ADA CSA B651 OBC

Codes/Standards




ADA
ICC/ANSI A117.1
CSA B651
OBC

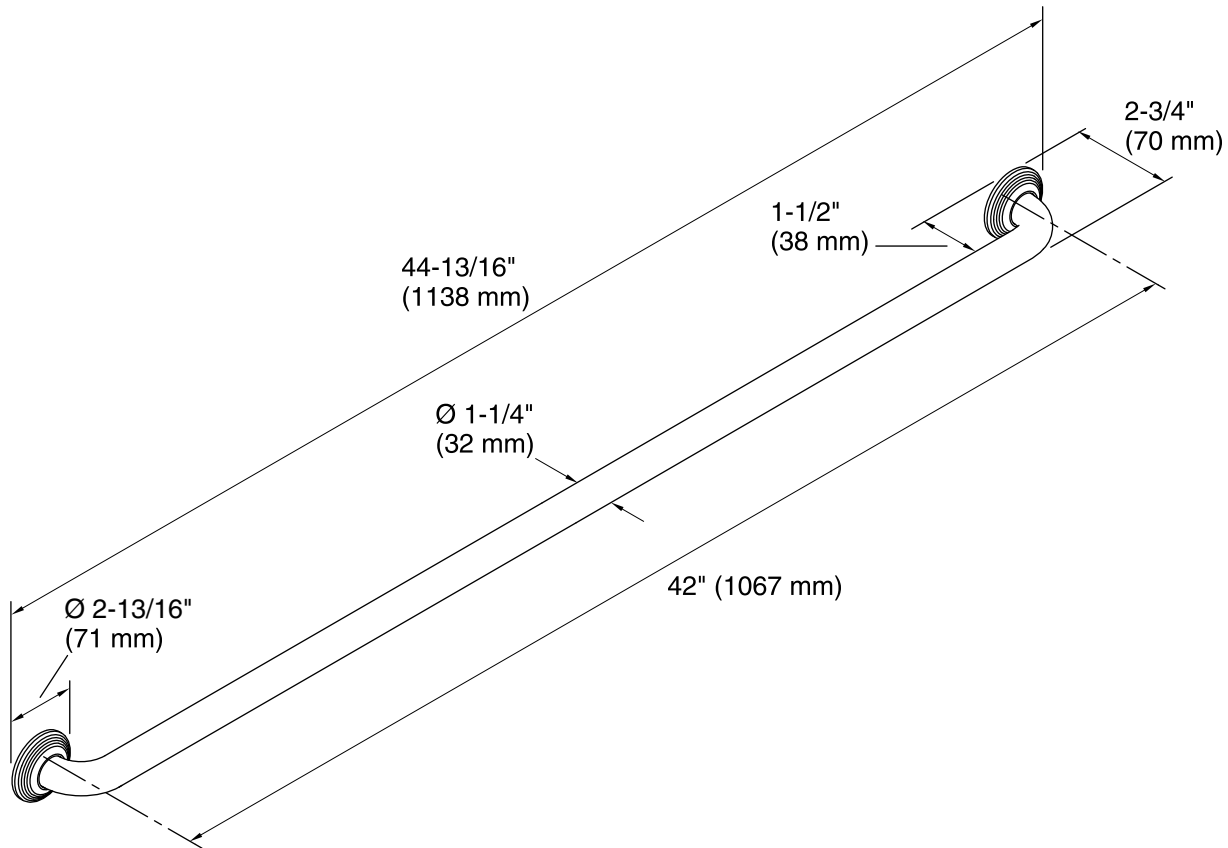
KOHLER® Faucet Lifetime Limited Warranty

See website for detailed warranty information.

Available Color/Finishes

Color tiles intended for reference only.

| Color | Code | Description |
|--|------|-------------------------|
|  | S | Polished Stainless |
|  | BN | Vibrant® Brushed Nickel |
|  | BS | Brushed Stainless |
|  | TT | Titanium |



Technical Information

All product dimensions are nominal.

Notes

Measure your actual product for roughing-in details.

WARNING: Risk of personal injury. The wall plates on the grab bar must be mounted to a brace between the wall studs. This will ensure that the weight of the user is adequately supported.

ADA, OBC, CSA B651 compliant when installed to the specific requirements of these regulations.