

### Features

- Compact, modern wash-down urinal with no exposed bolt connections
- 0.125 gpf (0.47 lpf)
- Winning design is perfect for contemporary bathrooms
- Smooth contours make cleaning fixture fast and easy
- Back wall design provides superior splash containment
- Extended lip helps keep floor cleaner
- 3/4" (19 mm) top spud

### Material

- Vitreous china

### Technology

- Innovative trapway can be removed and replaced if necessary

### Installation

- Trapway secures urinal to wall, eliminating bolts for a faster installation



### Codes/Standards



ASME A112.19.2/CSA B45.1  
DOE - Energy Policy Act 1992  
EPA WaterSense®  
California Energy Commission (CEC)  
ADA  
ICC/ANSI A117.1

### KOHLER® One-Year Limited Warranty

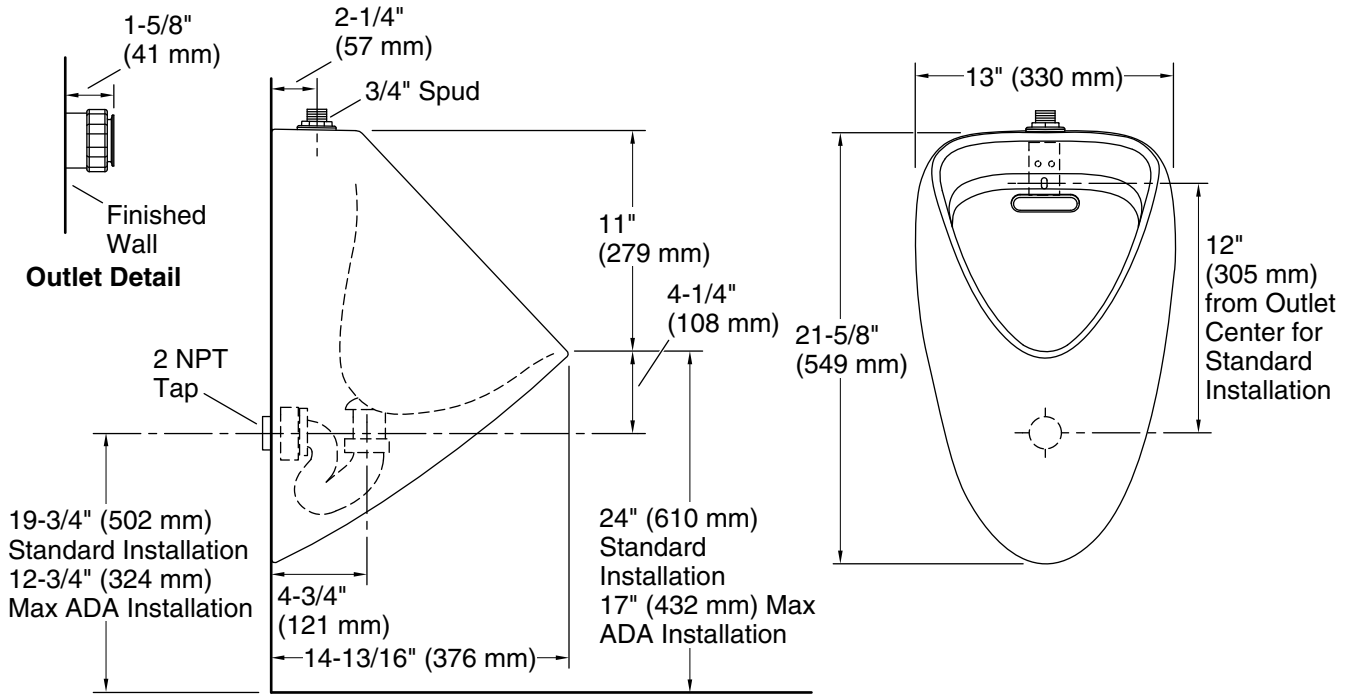
See website for detailed warranty information.

### Available Colors/Finishes

*Color tiles intended for reference only.*

Color	Code	Description
	0	White
	7	Black Black™

**Note:** Customer Connection Pipe must have 2" NPT External Thread.



## Technical Information

All product dimensions are nominal.

Flush Type:	Washout
Spud size:	3/4, Inlet, Top
Min. Water per Flush:	0.125 gpf (0.5 lpf)
Max. Water per Flush:	0.125 gpf (0.5 lpf)

Designed for the above water use when installed with a water-saving flushometer.

## Pressure and Supply Requirements

Fixture pressure min (static):	25 psi (172.4 kPa)
Fixture pressure max (static):	80 psi (551.6 kPa)

## Notes

Install this product according to the installation instructions.

ADA compliant when installed to the specific requirements of these regulations.