




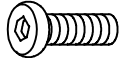

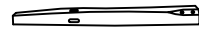
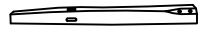
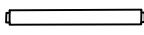
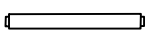
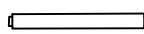

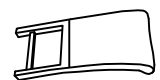
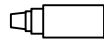

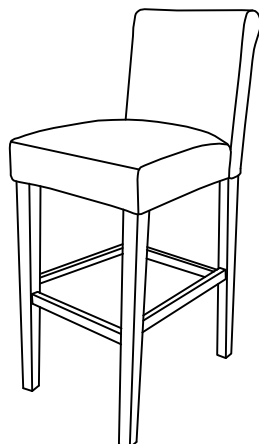


ASSEMBLY INSTRUCTION

859C48(3A) 29"H BAR HEIGHT CHAIR

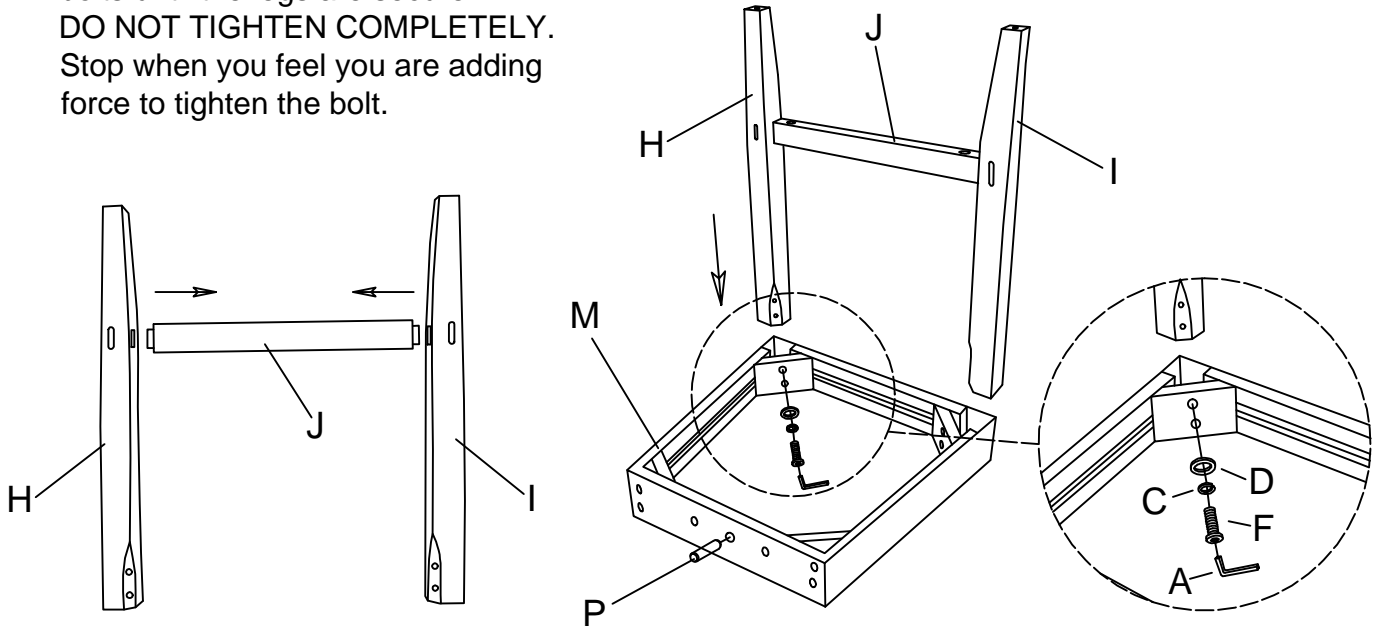
A Allen Wrench 5/16"	B Screw 8x1-3/4"	C Lock Washer 5/16"	D Flat Washer 5/16"	E Bolt 5/16"x2"
				
1pc	6pcs	10pcs	10pcs	2pcs
F Bolt 5/16"x2-1/4"	G Bolt 5/16"x3-1/4"	H Left Front Leg	I Right Front Leg	J Front Stretcher
				
4pcs	4pcs	1pc	1pc	1pc
K Left Stretcher	L Right Stretcher	M Seat Frame	N Chair Back	O Glue
				
1pc	1pc	1pc	1pc	1pc
P Wood Dowel Ø10x30mm				
				
1pc				



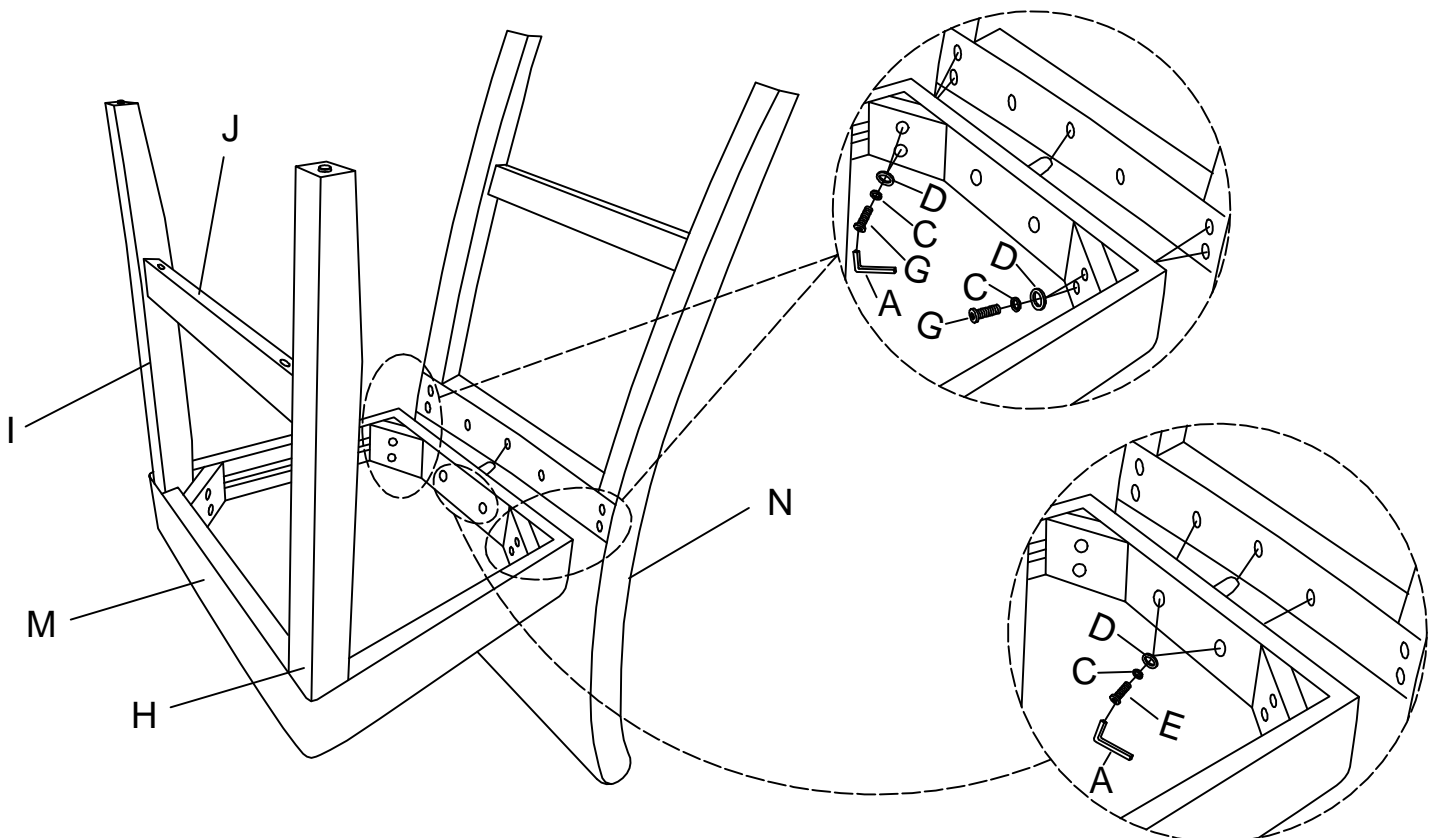
This page lists all the contents included in the box. Please take the time to identify the hardware as well as the individual components to this product. As you unpack and prepare for assembly, place the contents on a carpeted or padded area to protect them from damage.

- 1** Attach Front Stretcher (J) to Left Front Leg (H) & Right Front Leg (I), then put the Seat Frame (M) on a smooth flat surface, and attach the Left Front Leg (H) & Right Front Leg (I) to the Seat Frame (M), using Bolt (F), Lock Washer (C), Flat Washer (D) in the both of hole of Seat Frame (M) by the Allen Wrench (A), but not too tight. Attach Wood Dowel (P) to Seat Frame (M).

Take the Allen Wrench, and turn the bolts until the legs are secure. **DO NOT TIGHTEN COMPLETELY.** Stop when you feel you are adding force to tighten the bolt.

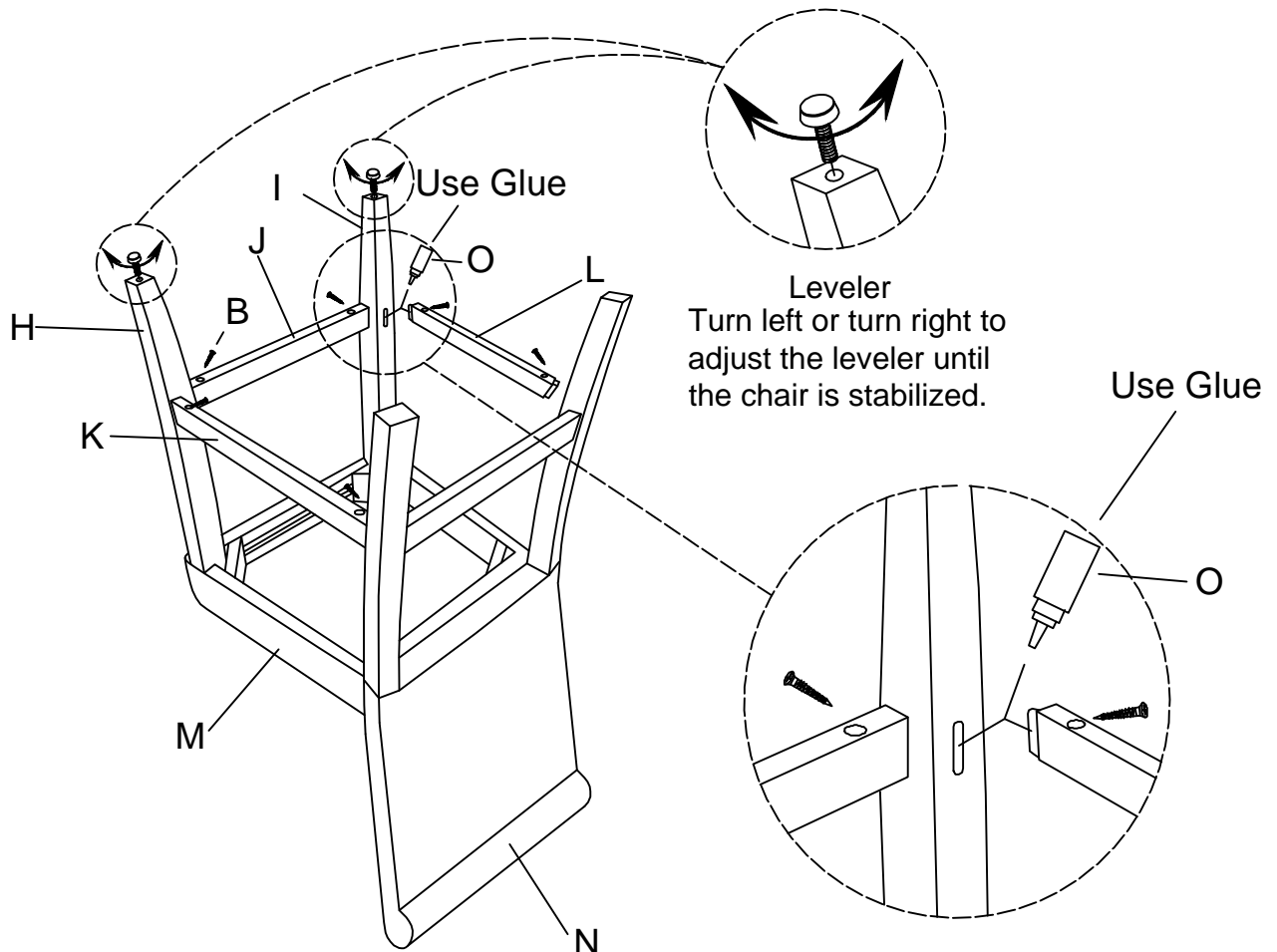


- 2** Put the Chair Back (N) on a smooth flat surface, attach the Seat Frame (M) to the Chair Back (N), using Bolt (E) or Bolt (G), Lock Washer (C) and Flat Washer (D) in both of hole of Seat Frame (M) and Chair Back (N) by Allen Wrench (A), but not too tight.



- 3** See drawing, assemble the Left Stretcher (K) and Right Stretcher (L) to Left Front Leg (H), Right Front Leg (I) and Chair Back (N), using Screw (B) and Glue (O) to secure all stretchers including Front Stretcher (J).

Stand chair up on an even surface and check that it is balanced. If there is a slight wobble, apply downward pressure in the corner where a leg is uneven. Keeping pressure in that corner, tighten all bolts. If balanced, apply downward pressure evenly in the center and tighten all bolts. Do not over-tighten beyond hole depth.



Helpful Tip:
-Instead of applying downward pressure while reaching under to tighten bolts, have someone sit in the chair while you tighten the bolts.

Cleaning & Care

Treat surface with care. Surface is resistant to scratches but is not scratch resistant. Clean surfaces with a dry or damp soft cloth. Do not use abrasive cleaners. Hardware may loosen over time. Periodically check that all connections are tight.