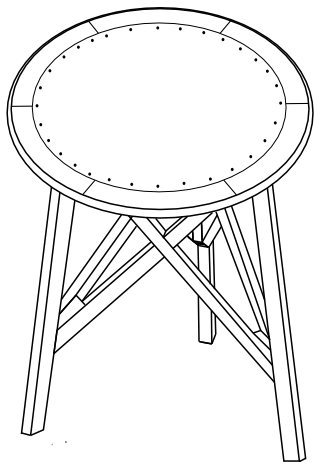


# HEKMAN

A HOWARD MILLER COMPANY

## ASSEMBLY INSTRUCTIONS: MODEL 27872



### HARDWARE ENCLOSED

|   |  |                  |           |
|---|--|------------------|-----------|
| A |  | Allenbolt 6 x 50 | 6 pieces  |
| B |  | Allenbolt 6 x 20 | 6 pieces  |
| C |  | Spring washer    | 12 pieces |
| D |  | Flat washer      | 12 pieces |
| E |  | Allen Wrench     | 1 pieces  |

