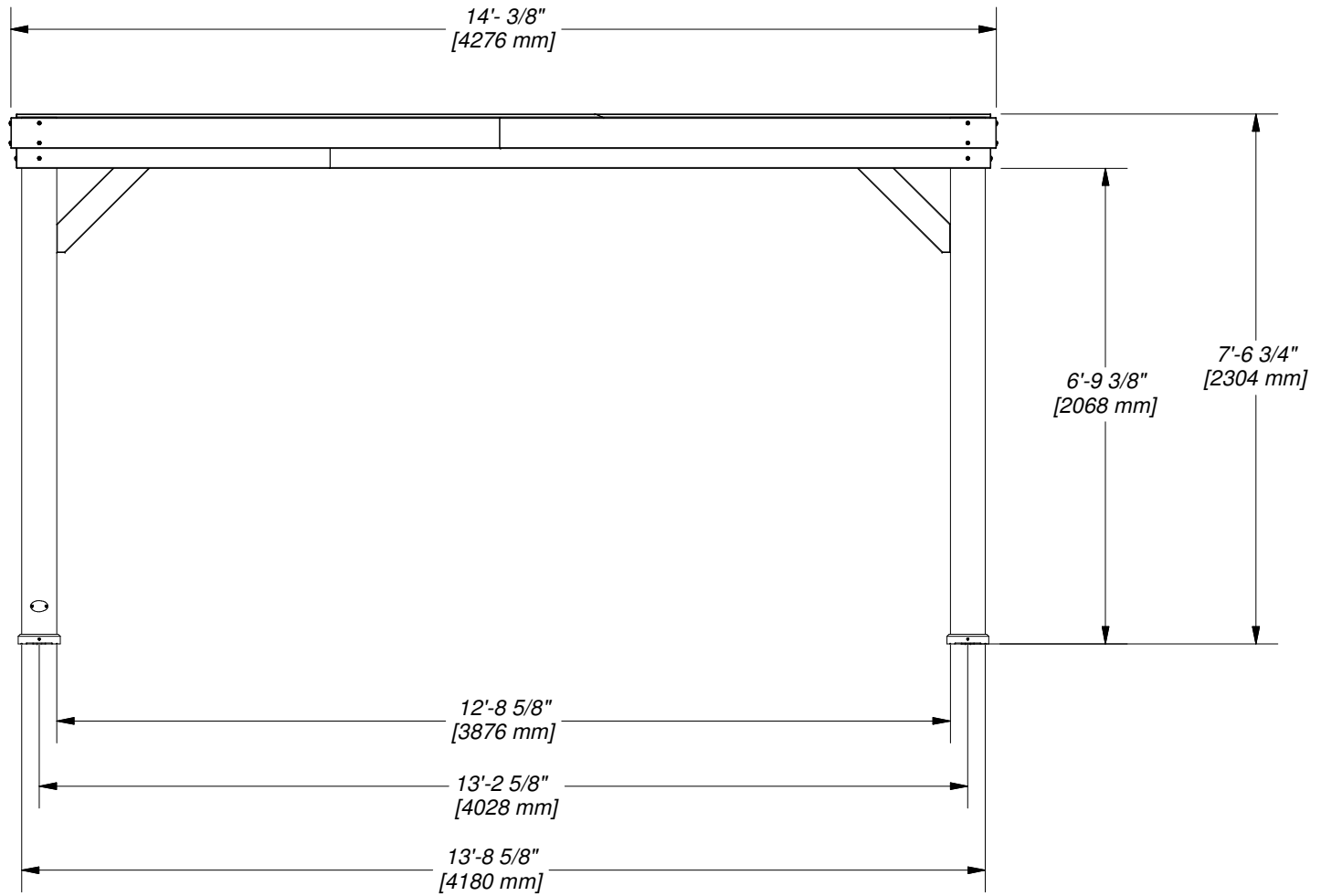
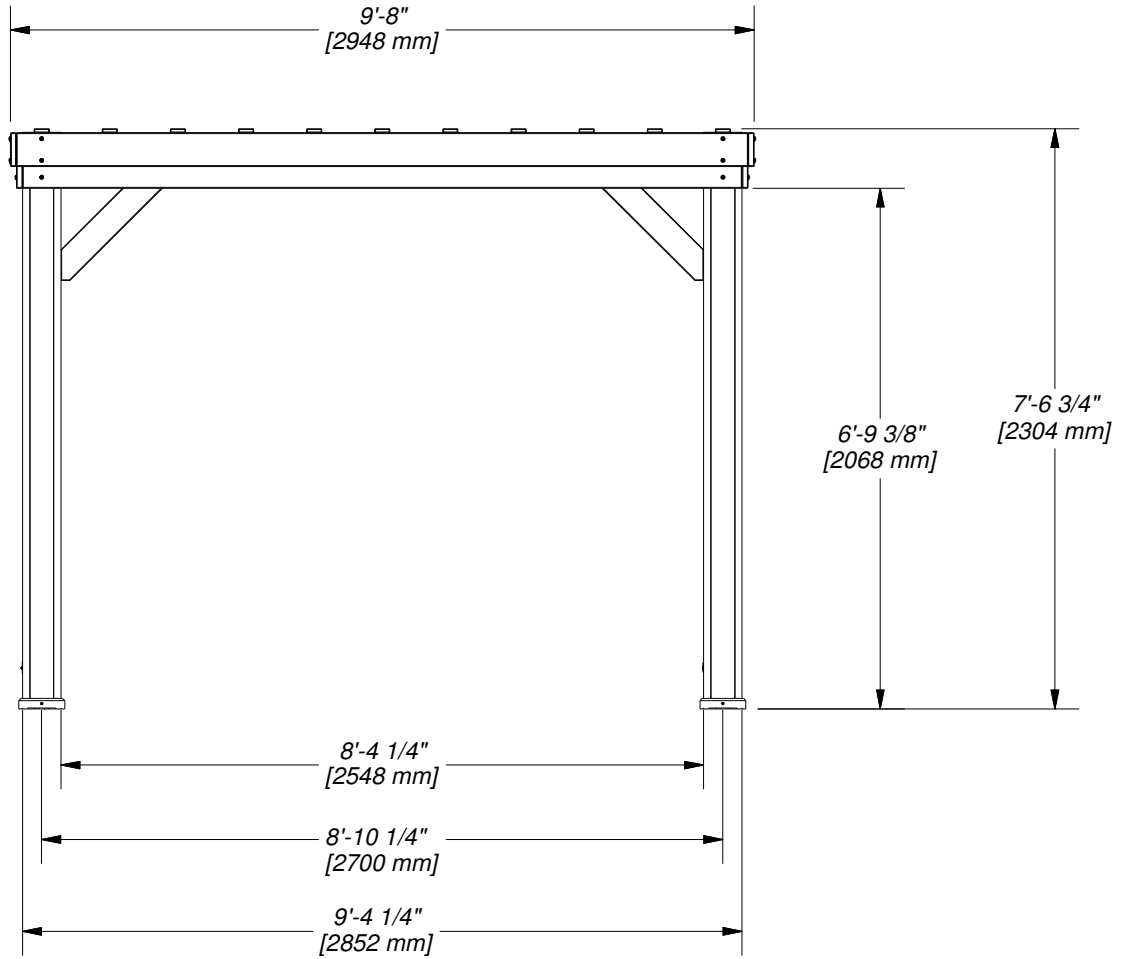


Part Number	2106543
Sheet	1 OF 4



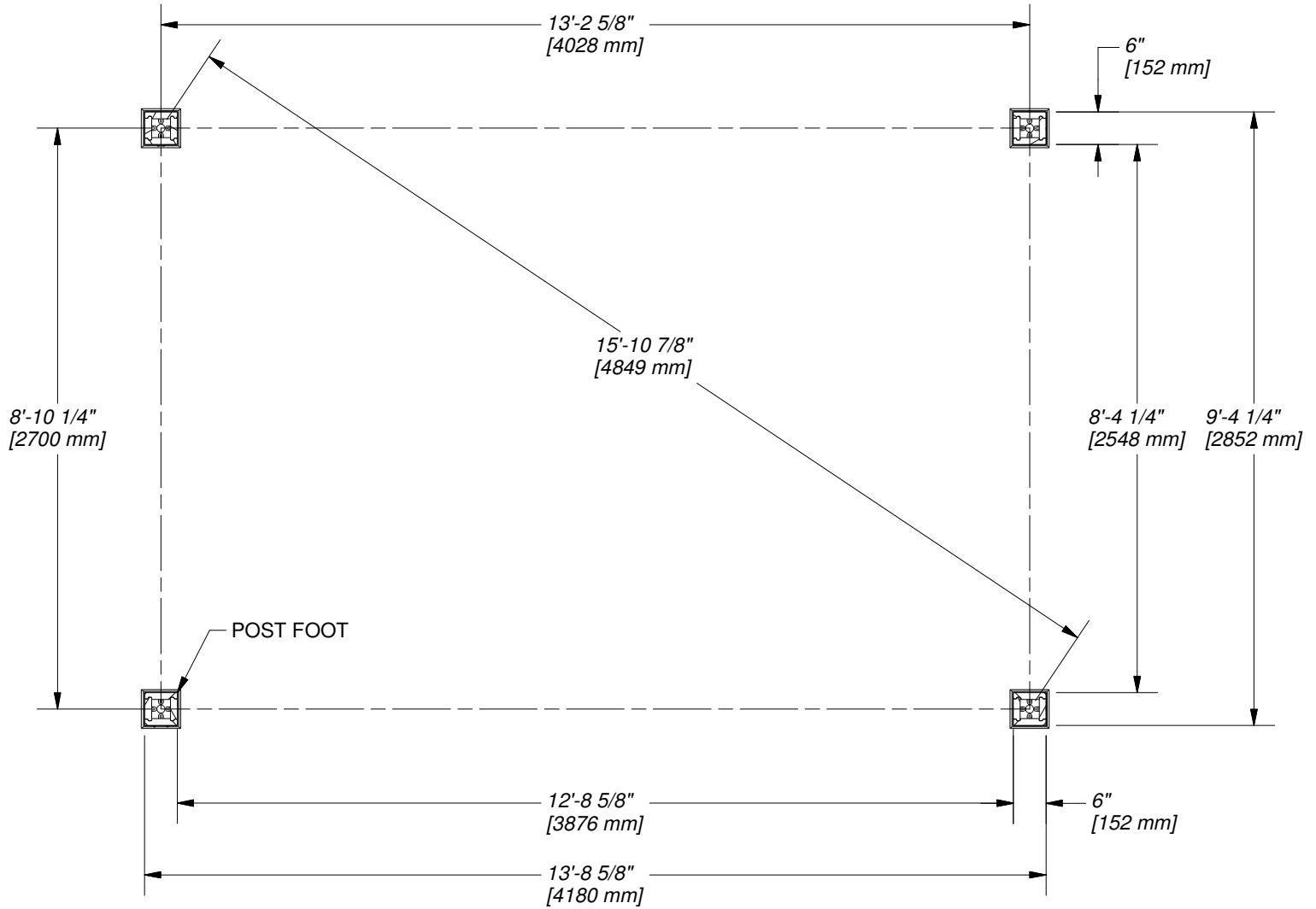
DRAWN BY	BRS	DESCRIPTION	14x10 BROCKTON PERGOLA
DATE	2/5/2020	PART NUMBER	2106543
		REV	

Part Number	2106543
Sheet	2 OF 4



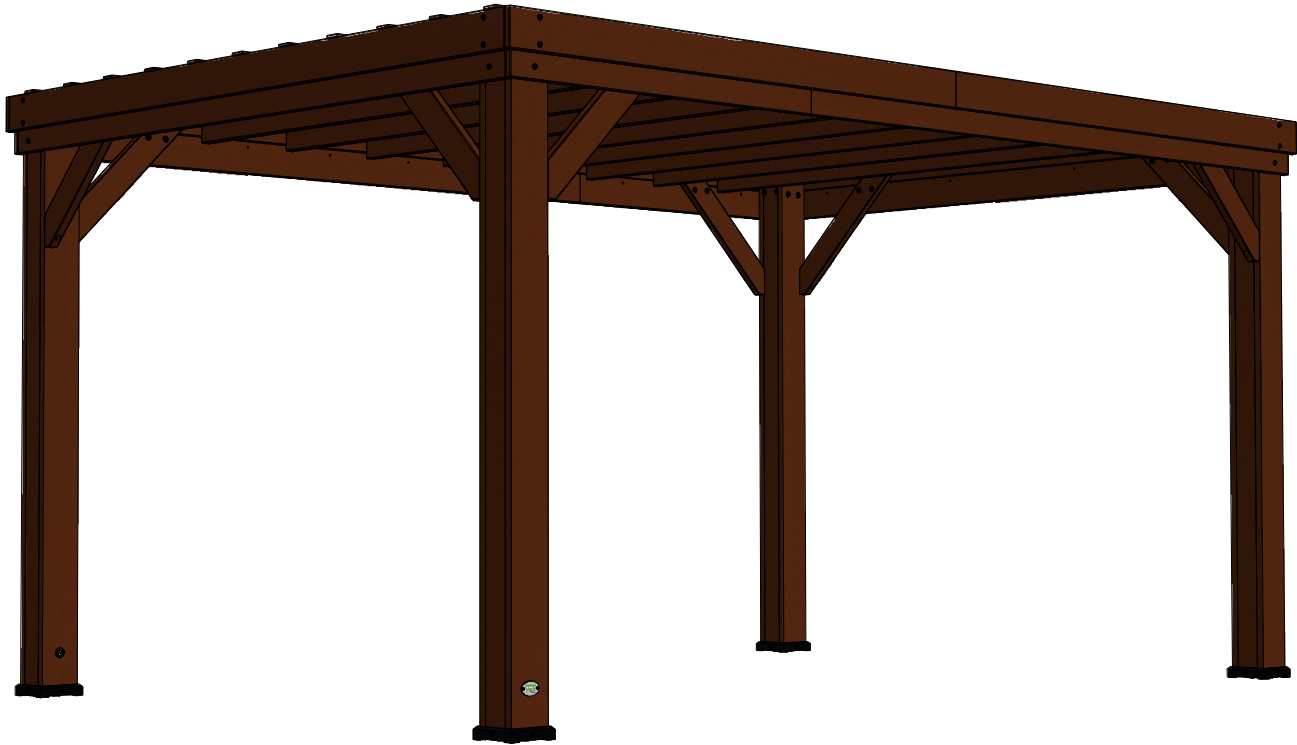
DRAWN BY	BRS	DESCRIPTION	14x10 BROCKTON PERGOLA
DATE	2/5/2020	PART NUMBER	2106543
		REV	

Part Number	2106543
Sheet	3 OF 4



DRAWN BY	BRS	DESCRIPTION	14x10 BROCKTON PERGOLA
DATE	2/5/2020	PART NUMBER	2106543
		REV	

Part Number	2106543
Sheet	4 OF 4



<small>DRAWN BY</small>	BRS	<small>DESCRIPTION</small>	14x10 BROCKTON PERGOLA
<small>DATE</small>	2/5/2020	<small>PART NUMBER</small>	2106543
		<small>REV</small>	