

Drawn by: Udhay.N Scale: 1:1 Date: 12/13/04

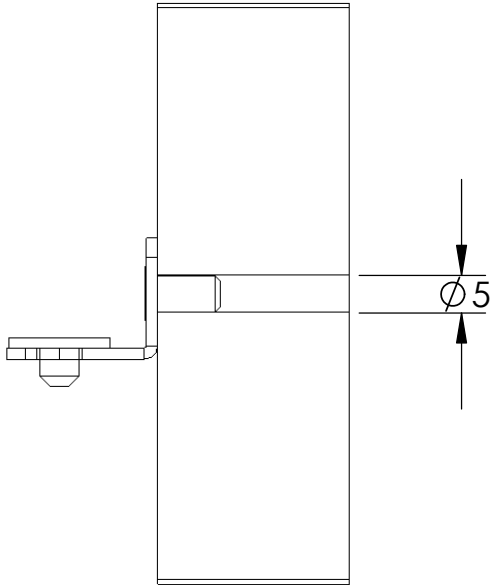
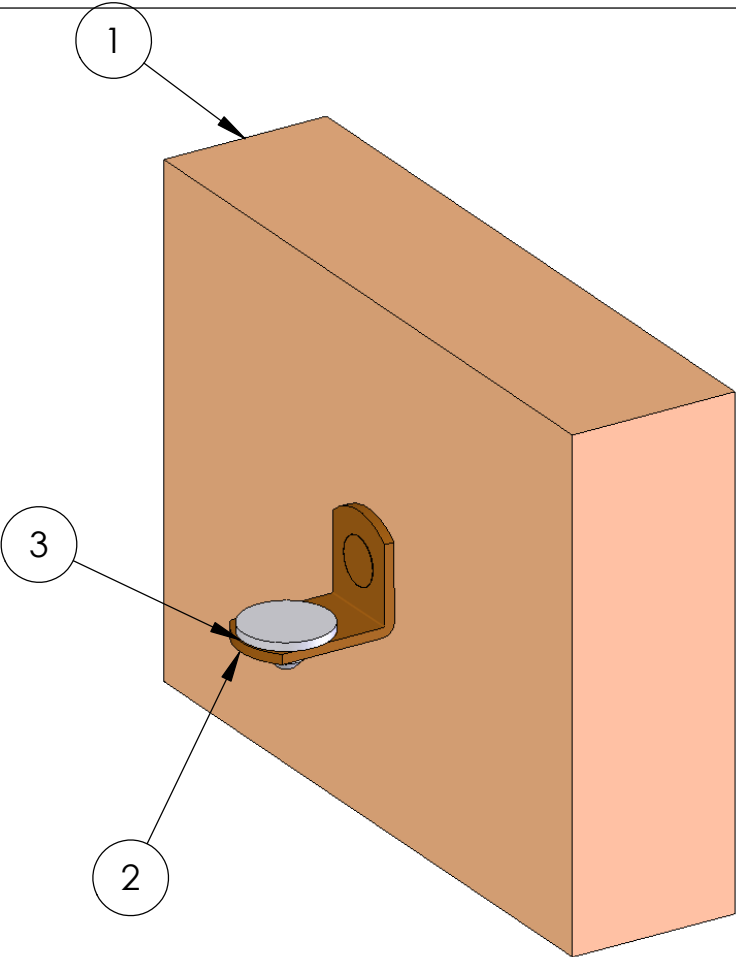
HARDWARE RESOURCES
 4319 MARLENA ST, BOSSIER CITY, LA71111
 PART NAME: 3/4"x5mm SHELF SUPPORT WITH DIAMOND HOLE
 MATERIAL: FLAT SURFACE CRS/ PIN HRS
 ITEM NO: 710
 PLATING: AC, BN, PB

TOLERANCES
 UNLESS OTHERWISE SPECIFIED
 TOLERANCES ARE IN METRIC
 OVER ALL LENGTH ±0.1MM
 ANGLES ±0° 30'

* - Critical Dimensions

Sheet 1/2

APPLICATION



1. WOOD PLANK
2. SHELF SUPPORT
3. RUBBER CUSHION

Drawn by: Udhay.N	Scale: 1:1	Date: 12/13/04
----------------------	---------------	-------------------

TOLERANCES	
UNLESS OTHERWISE SPECIFIED TOLERANCES ARE IN METRIC	
OVER ALL LENGTH	±0.1MM
ANGLES	±0° 30'

HARDWARE RESOURCES	
4319 MARLENA ST, BOSSIER CITY, LA71111	
PART NAME: 3/4"x5mm SHELF SUPPORT WITH DIAMOND HOLE	
MATERIAL: FLAT SURFACE CRS/ PIN HRS	
ITEM NO:	710
PLATING:	AC, BN, PB

Sheet 1/2