

KALLISTA®

Pinna Paletta® by Laura Kirar Transfer Shower Trim, Lever Handle P24924-CPH

Features

- High-quality solid-brass construction for durability and reliability
- Required rough-in sold separately
- Allows for directed water flow

Required Products/Accessories

P29513-00 Transfer Valve

or

P29514-00 Transfer Valve, Eco

Adapters, Rough-in and Extension Kits

P29513-00 Range: 2-7/16" (62 mm) -
3-3/4" (95 mm)

Recommended Products/Accessories

P24915-CPH Pressure Balance Shower Trim, Lever Handle

P24914-CPH Wall-Mount Bath Spout

P21676-00 Air-Induction Transitional Rain Showerhead

P22078-H Body Spray



ADA

CSA B651

OBC

Codes/Standards

ASME A112.18.1/CSA B125.1

ADA

ICC/ANSI A117.1

CSA B651

OBC

NOM Standards

NOM 012-CONAGUA

KALLISTA® Five-Year Limited Warranty

See website for detailed warranty
information.

Available Colors/Finishes

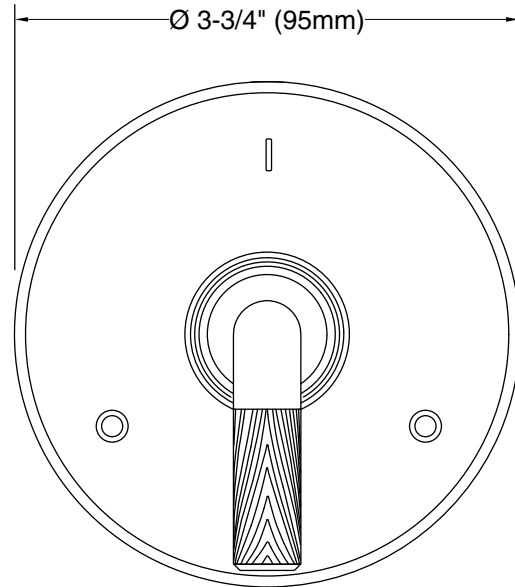
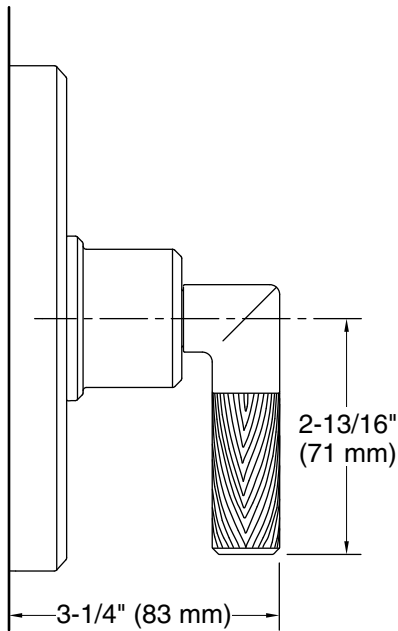
Color tiles intended for reference only.

Color Code Description

 CP Polished Chrome

KALLISTA®

Pinna Paletta® by Laura Kirar
Transfer Shower Trim, Lever Handle
P24924-CPH



Technical Information

All product dimensions are nominal.

Notes

Install this product according to the installation instructions.

ADA, OBC, CSA B651 compliant when installed to the specific requirements of these regulations.