



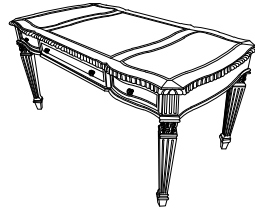




HEKMAN®

X A HOWARD MILLER COMPANY

79168 TABLE DESK

HARDWARE LIST			
A	B	C	D
ALLEN BOLT M ⁵ / ₁₆ " X 45 (10 PCS.)	SPRING W. M8 10 PCS.	FLAT W. M6 10 PCS.	ALLEN KEY L4 (FOR ALLEN BOLT) 1 PC.
			

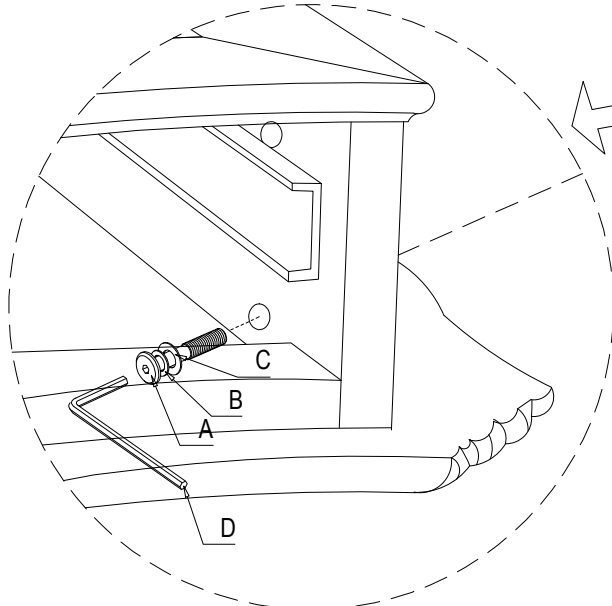
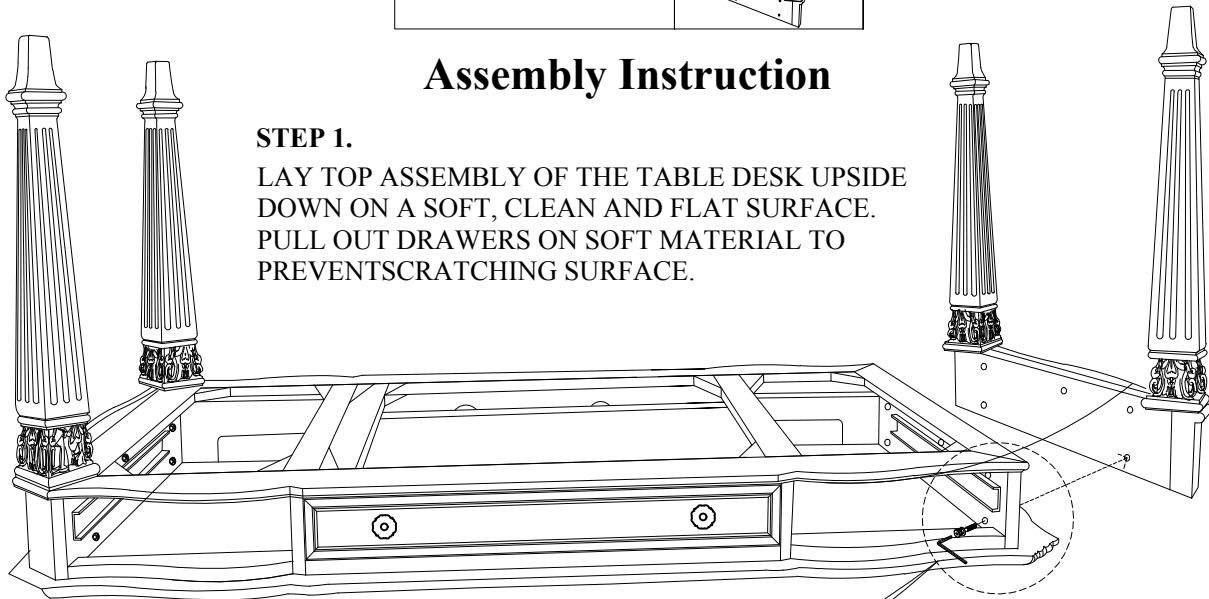


PART INSIDE	
1	2
TOP ASSEMBLY (1 Pc)	LEGS (2 Pcs)
	

Assembly Instruction

STEP 1.

LAY TOP ASSEMBLY OF THE TABLE DESK UPSIDE DOWN ON A SOFT, CLEAN AND FLAT SURFACE. PULL OUT DRAWERS ON SOFT MATERIAL TO PREVENT SCRATCHING SURFACE.



STEP 2.

ALIGN LEG (2) TO HOLES IN THE TOP ASSEMBLY (1) AND CONNECT USING FLAT WASHER (C), SPRING WASHER (B), ALLEN BOLT (A) AND ALLEN KEY (F) PROVIDED.

STEP 3.

SET DESK UP RIGHT INSTALL THE END DRAWERS.