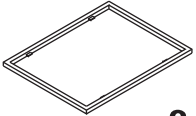
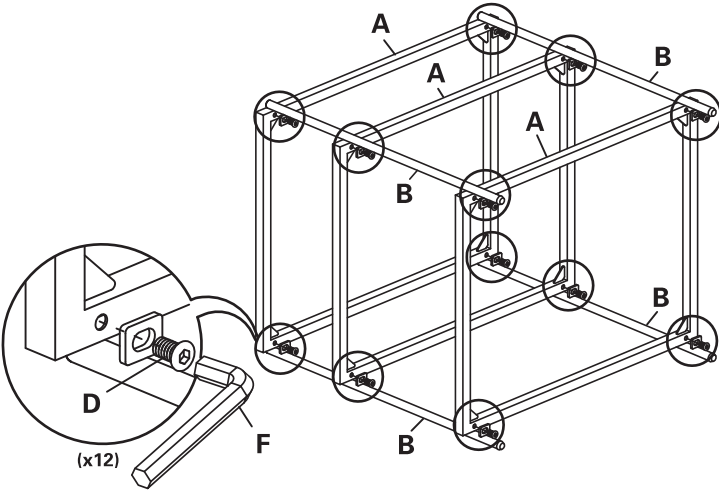
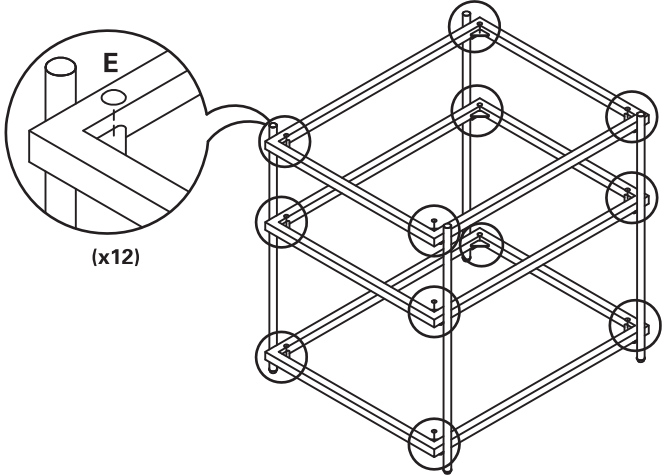
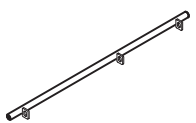
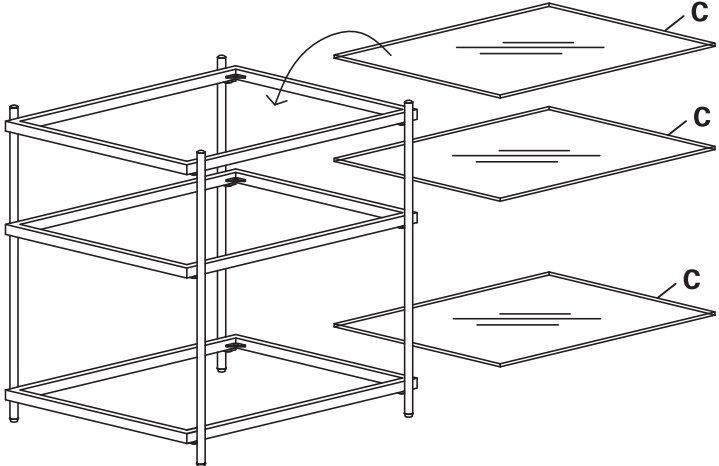
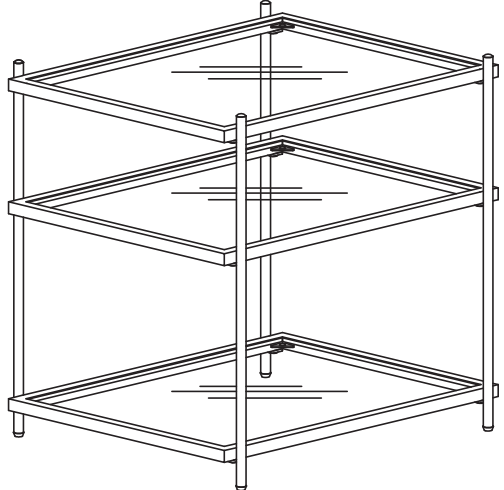
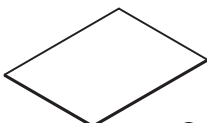
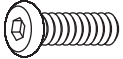




SATORI GLASS END TABLE

ASSEMBLY INSTRUCTIONS

FIRSTIME & CO.[®]
— AMERICAN DESIGNED —

PARTS	STEP 1	STEP 2
<p>A</p>  <p>3 PC</p>	<p>Attach support beams (Bx4) to frames (Ax3).</p> 	<p>Place glass pads (E) on the long side of each of the tiered frames.</p> 
<p>B</p>  <p>4 PC</p>	<p>STEP 3</p> <p>Set glass shelves (C) on each tier.</p> 	<p>FULLY ASSEMBLED</p> 
<p>C</p>  <p>3 PC</p>	<p>D</p>  <p>12 PC</p>	
<p>E</p>  <p>12 PC</p>	<p>F</p>  <p>1 PC</p>	